

THIS DRAWING IS UNPUBLISHED.

RELEASED FOR PUBLICATION

2009

© COPYRIGHT 2009

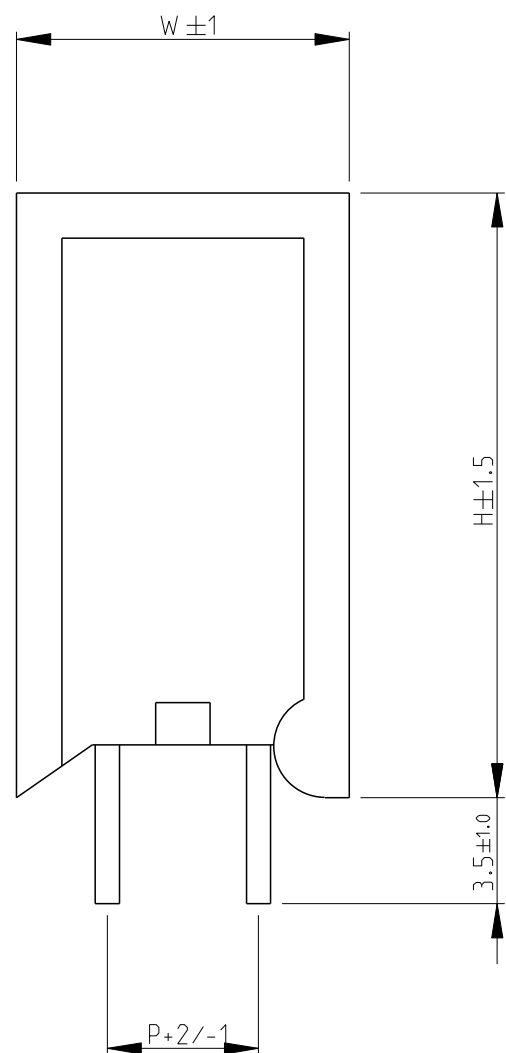
ALL RIGHTS RESERVED.

LOC  
E

DIST  
B

REVISIONS

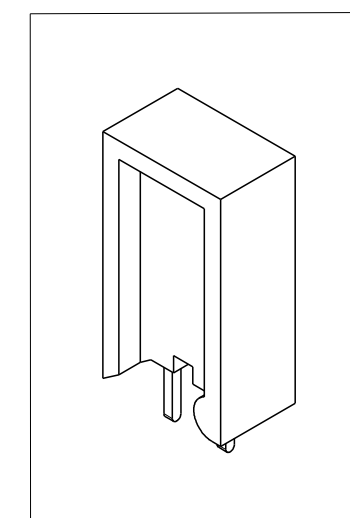
P	LTR	DESCRIPTION	DATE	DWN	APVD
	BB	ECR-11-016776	12AUG2011	PSK	JC



1. FOR FURTHER INFORMATION SEE DATA SHEET FOR SQ SERIES HIGH POWER RESISTOR

2.  $0.8 \pm 0.1$  FOR 3W, 10W AND  $0.65 \pm 0.1$  FOR 2W

5	9	52	13	10W
5	8	25	12	3W
5	7	20	11	2W
$P + 2 / -1$	$S \pm 1$	$H \pm 1.5$	$W \pm 1$	POWER RATING
DIMENSIONS				



RoHS Compliant

THIS DRAWING IS A CONTROLLED DOCUMENT.

DWN 12OCT2010  
PARUSURAM.T

CHK 12OCT2010  
ALLAN.P

APVD 12OCT2010  
STEPHEN.P

PRODUCT SPEC

APPLICATION SPEC

WEIGHT

CUSTOMER DRAWING

**STE** TE Connectivity

HIGH POWER RESISTORS  
SERIES SQM

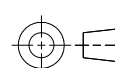
NAME  
SIZE CAGE CODE DRAWING NO RESTRICTED TO

A3 00779 C-1623781

SCALE 1:1 SHEET 1 OF 1 REV BB

DIMENSIONS:  
mm

TOLERANCES UNLESS OTHERWISE SPECIFIED:



0 PLC	$\pm 0.2$
1 PLC	$\pm 0.1$
2 PLC	$\pm$
3 PLC	$\pm$
4 PLC	$\pm$
ANGLES	$\pm 5^\circ$
FINISH	-

MATERIAL -