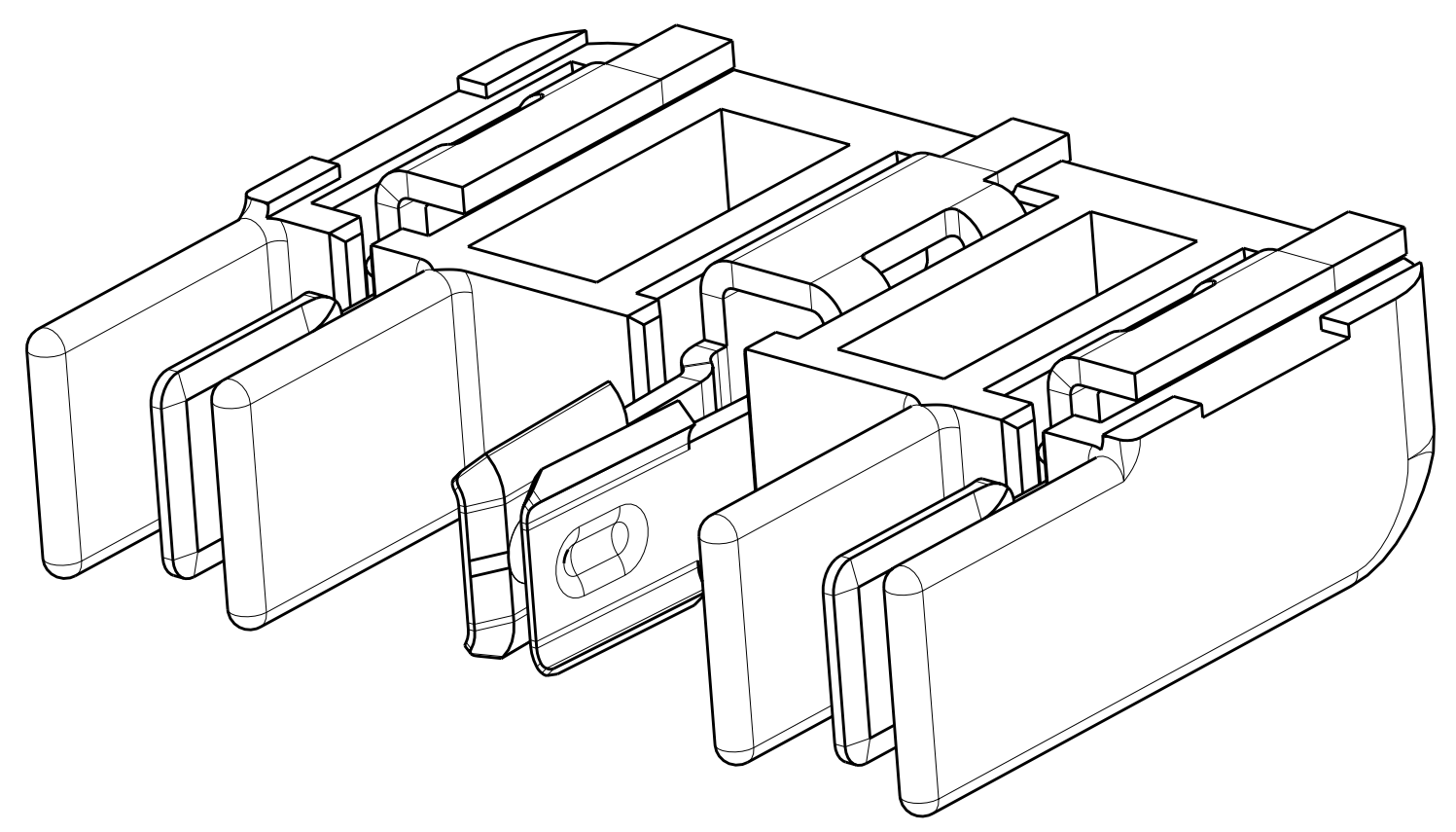
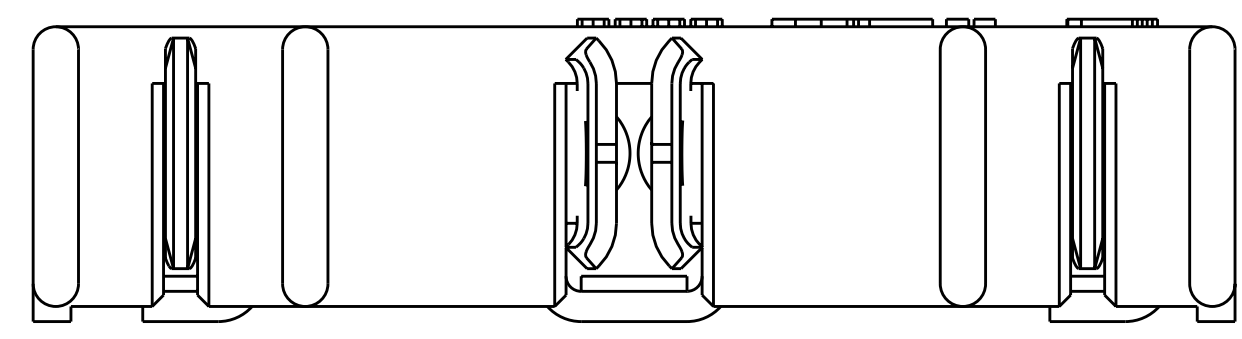
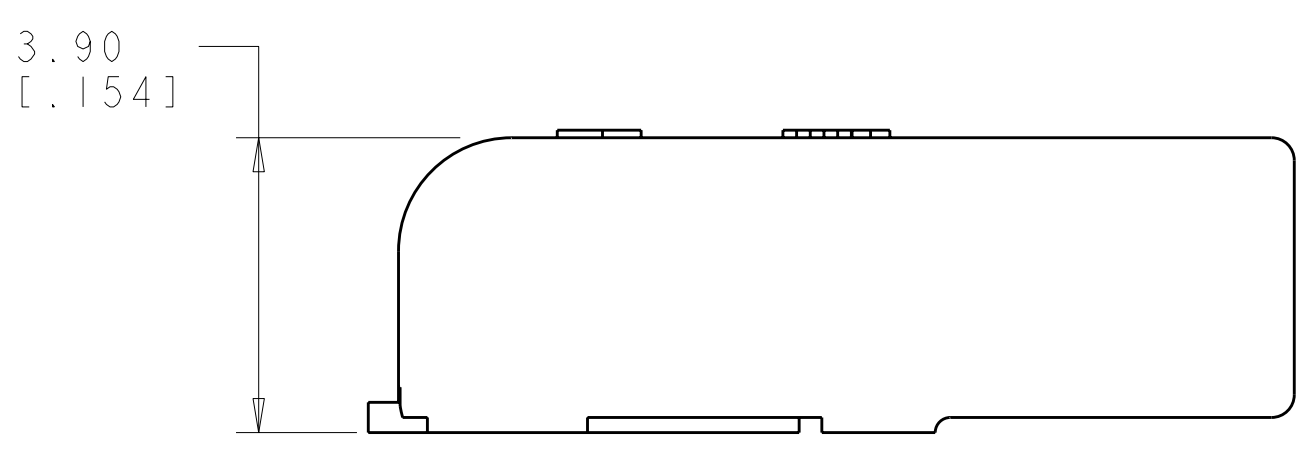
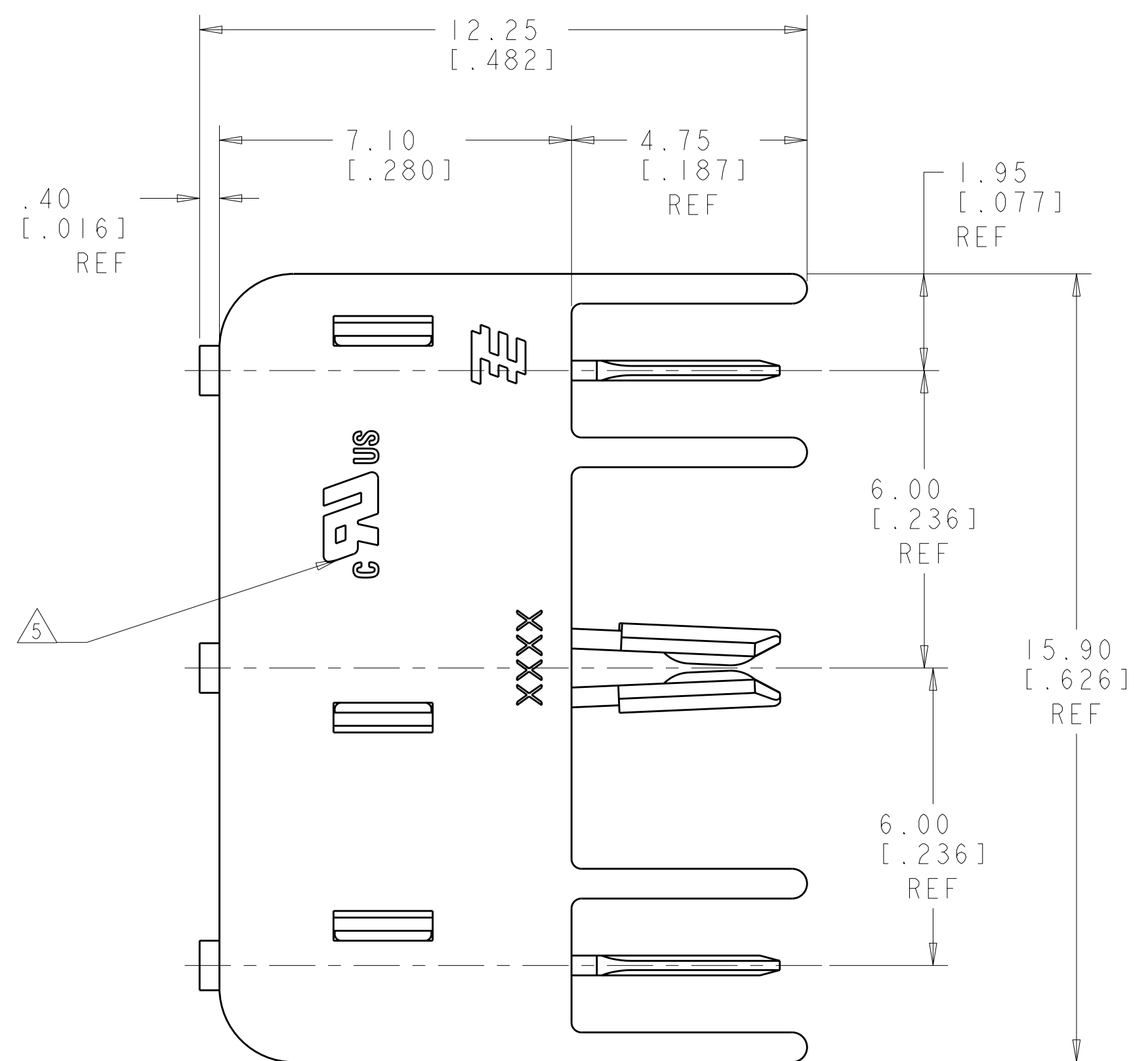
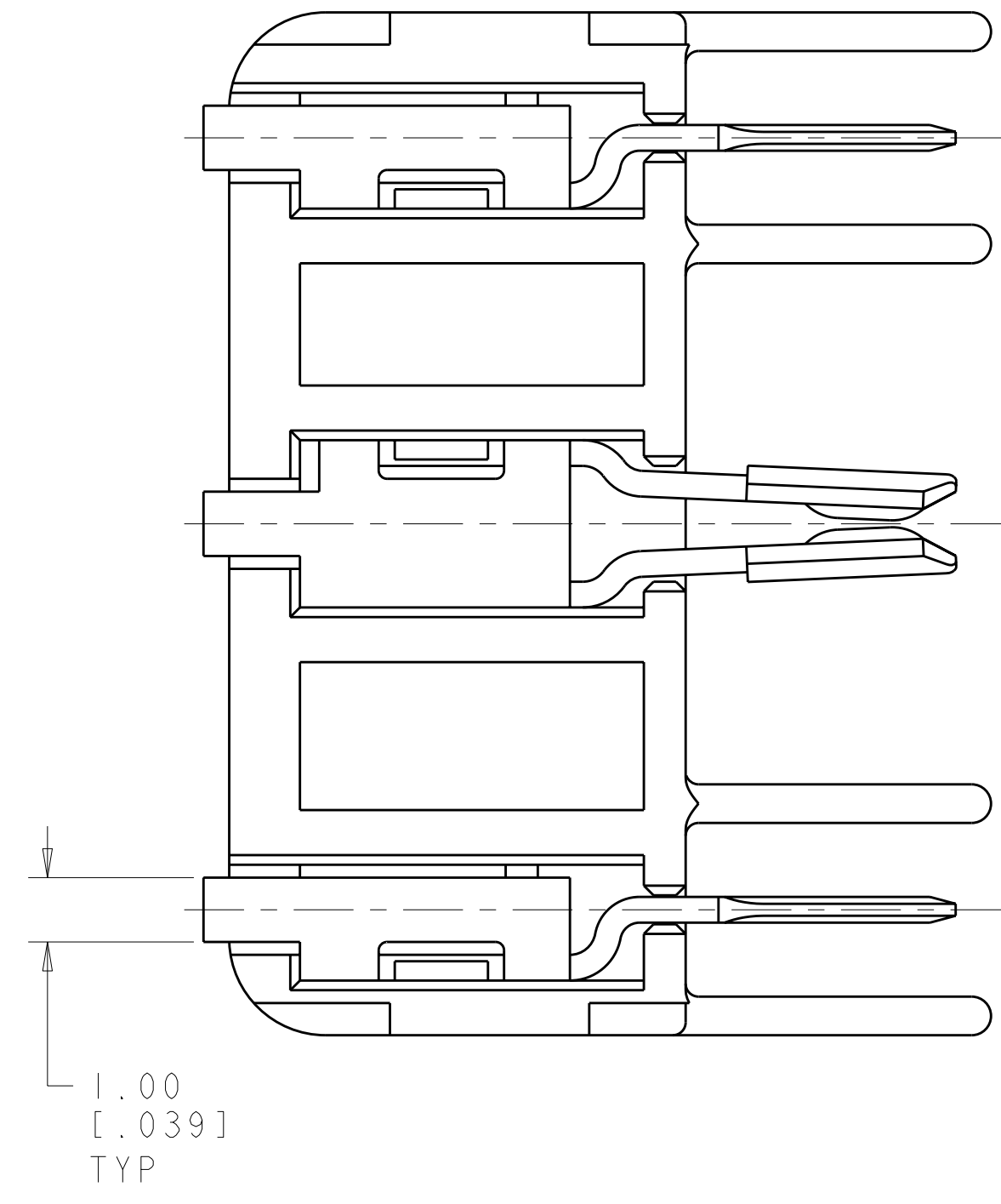


LOC	DIST	REV	DATE	BY	APPD
-	-	1	09DEC2008	-	-



2106090-1  
SHOWN

- △ MATERIALS AND FINISH
  - HOUSING : LCP
  - CONTACTS: COPPER ALLOY
  - FINISH: TIN
- 2. PRODUCT TO COMPLY WITH DIRECTIVE 2002/95/EC (ROHS)
- 3. PACKAGED IN TAPE AND REEL PER EIA-481 SPECIFICATIONS
- 4. PRODUCT HAS NOT COMPLETED VALIDATION TESTING
- △ PENDING APPROVAL



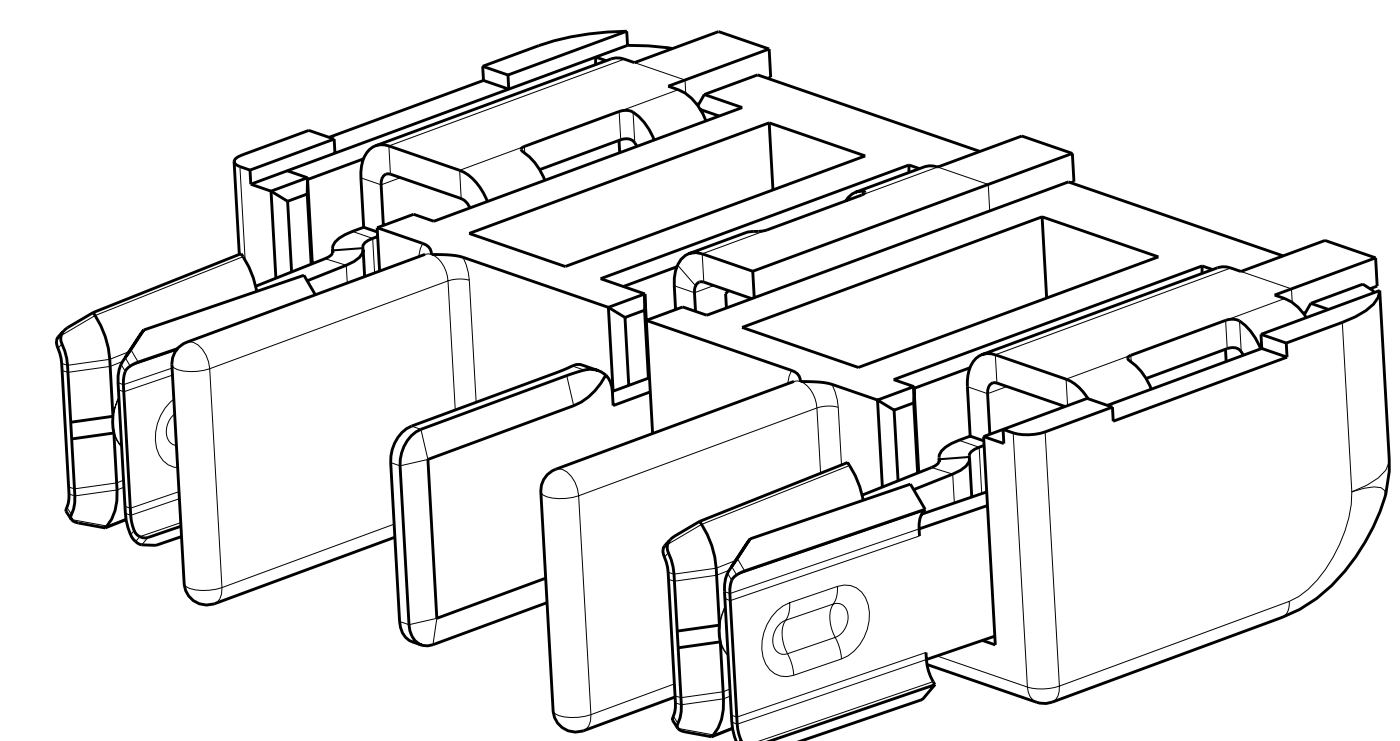
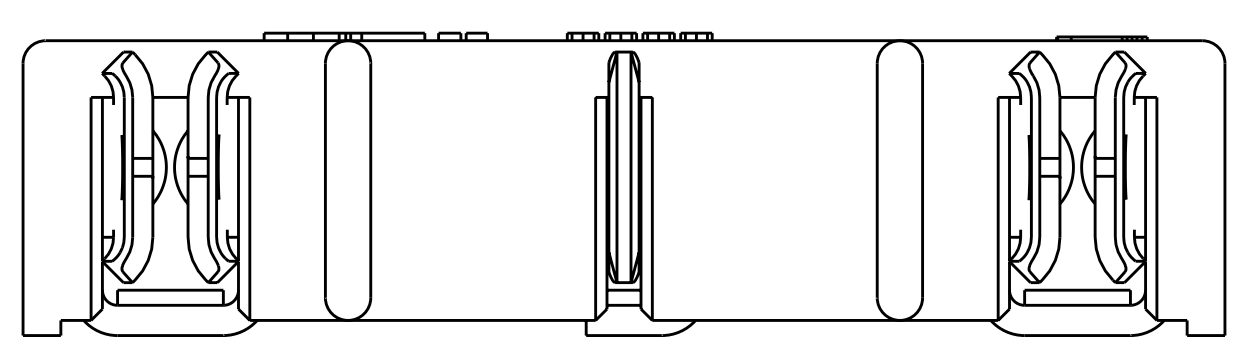
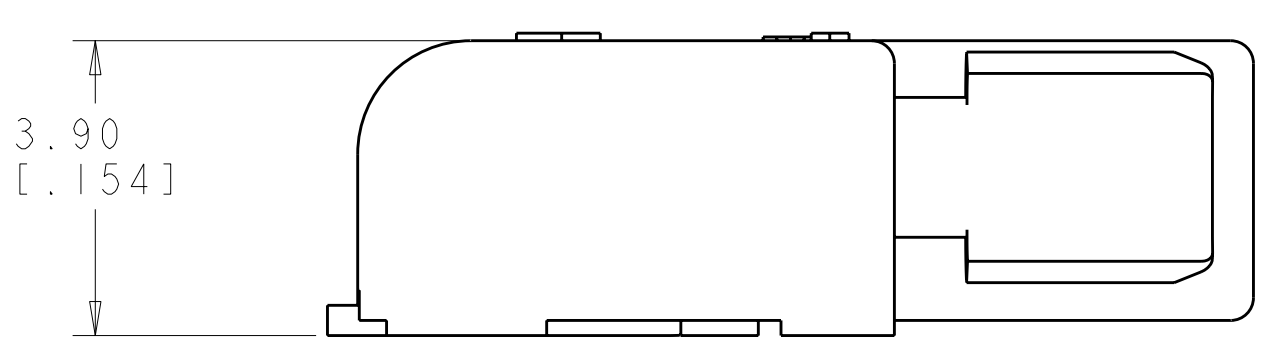
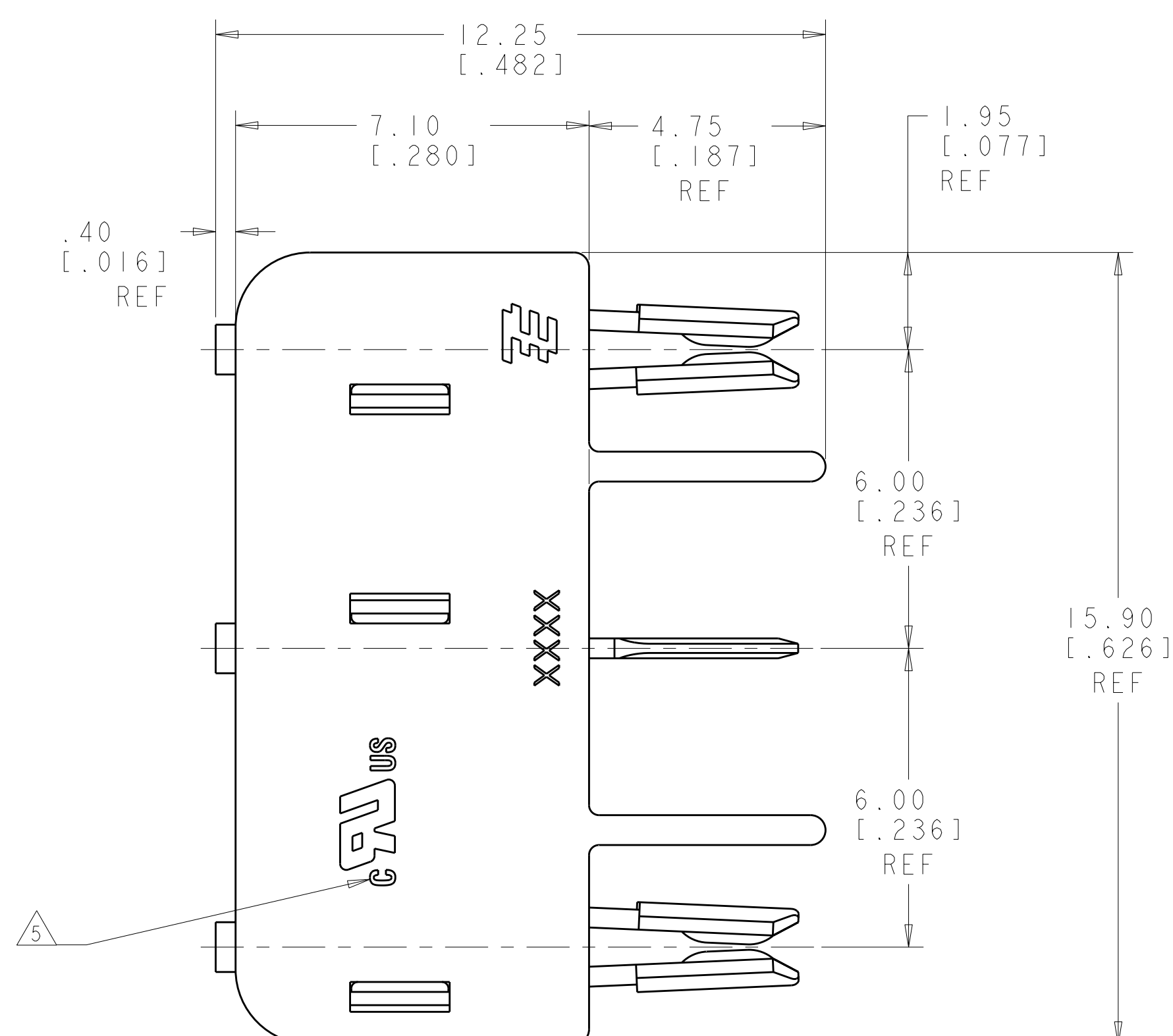
TYCO ELECTRONICS  
CONFIDENTIAL  
AND PROPRIETARY  
  
PROPOSED DESIGN  
  
NOT PRODUCTION TOOLED  
  
DESIGN IS SUBJECT TO  
CHANGE WITHOUT NOTICE

DIMENSIONS: mm [ INCHES ]		TOLERANCES UNLESS OTHERWISE SPECIFIED: 9 PLC ±.13 1 PLC ±.13 2 PLC ±.013 3 PLC ±. 4 PLC ±. ANGLES ±°		DWN: OMPRAKASH 06DEC2008 CHK: R NARANG 10DEC2008 APVD:		Tyco Electronics Harrisburg, PA 17105-3608	
MATERIAL:		FINISH:		PRODUCT SPEC:		APPLICATION SPEC:	
WEIGHT:		FINISH:		SIZE: CAGE CODE: DRAWING NO:		RESTRICTED TO:	
CUSTOMER DRAWING		SCALE: 6:1		SHEET 1 OF 3		REV 1	

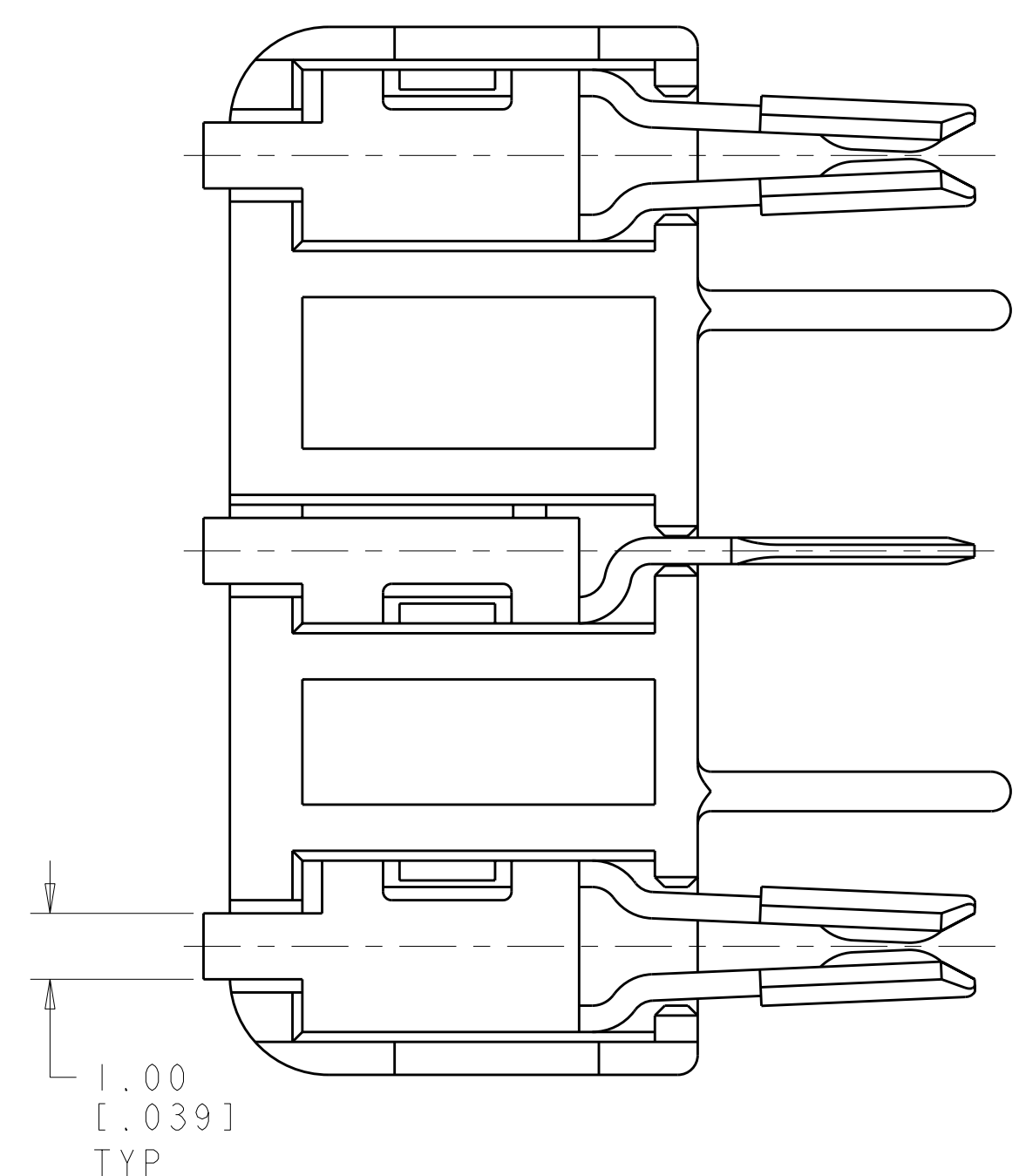
2106090-1  
PART NO.

**PRELIMINARY**  
3 POSITION  
BLADE AND RECEPTACLE

LOC	DIST	REV	DESCRIPTION	DATE	DWN	APVD
-	-	1	SEE SHEET 1	-	-	-



2106090-2  
 SHOWN



TYCO ELECTRONICS  
 CONFIDENTIAL  
 AND PROPRIETARY

PROPOSED DESIGN

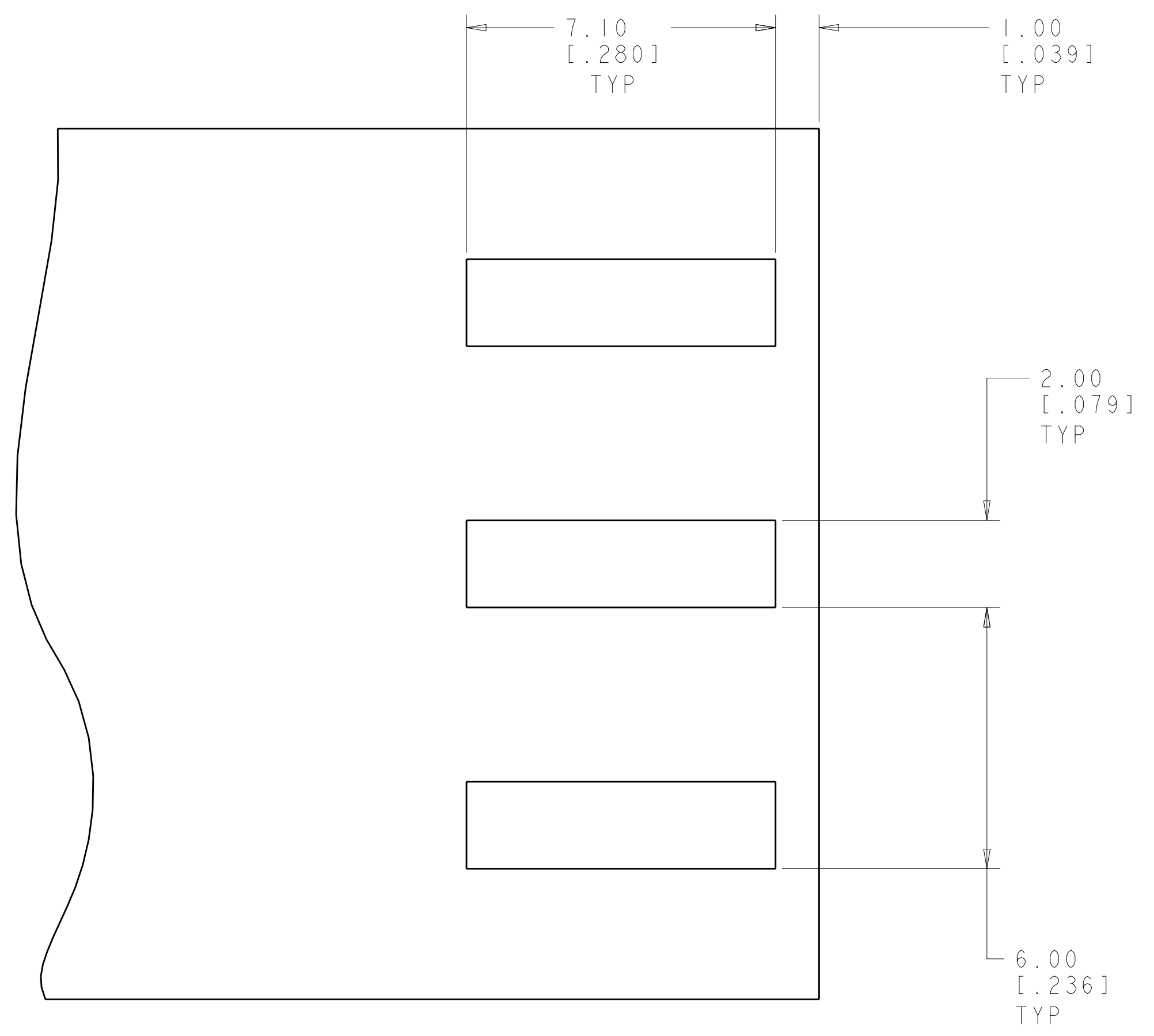
NOT PRODUCTION TOOLED

DESIGN IS SUBJECT TO  
 CHANGE WITHOUT NOTICE

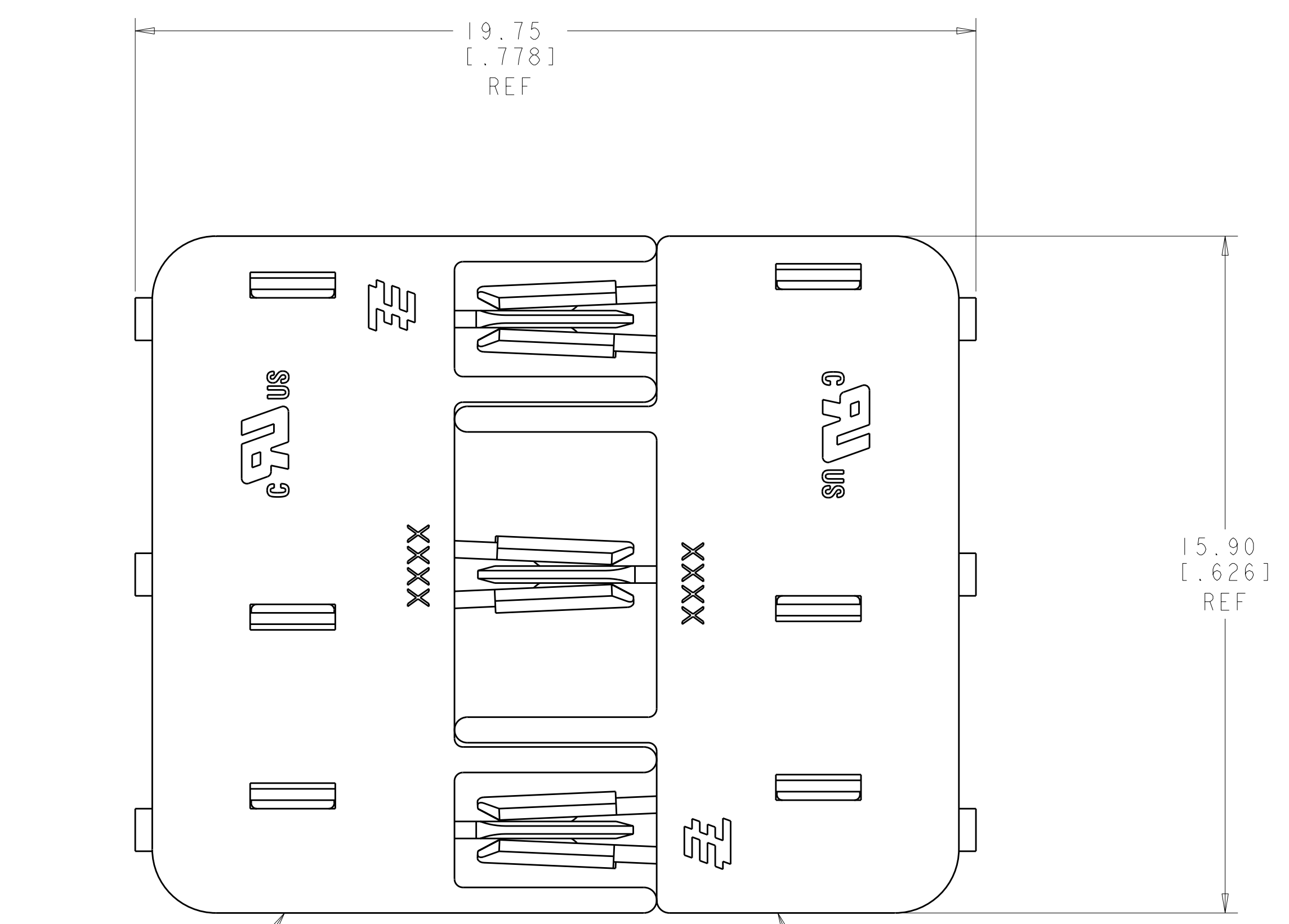
2106090-2  
 PART NO.

DIMENSIONS: mm [INCHES]		TOLERANCES UNLESS OTHERWISE SPECIFIED:		DWN: 06DEC2008	Tyco Electronics Harrisburg, PA 17105-3608	
0 PLC	±	06 DEC 2008	NAME	3 POSITION BLADE AND RECEPTACLE		
1 PLC	±.13	CHK: R NARANG	PRODUCT SPEC	SIZE CAGE CODE DRAWING NO RESTRICTED TO		
2 PLC	±.013	APVD	APPLICATION SPEC	A   00779   C=2106090		
3 PLC	±	MATERIAL FINISH		SCALE 10:1 SHEET 2 OF 3 REV 1		
4 PLC	±	CUSTOMER DRAWING				
ANGLES	±°					

LOC	DIST	REV	DATE	BY	APPD
-	-	1	-	-	-
DESCRIPTION			DATE	DWN	APVD
SEE SHEET 1			-	-	-

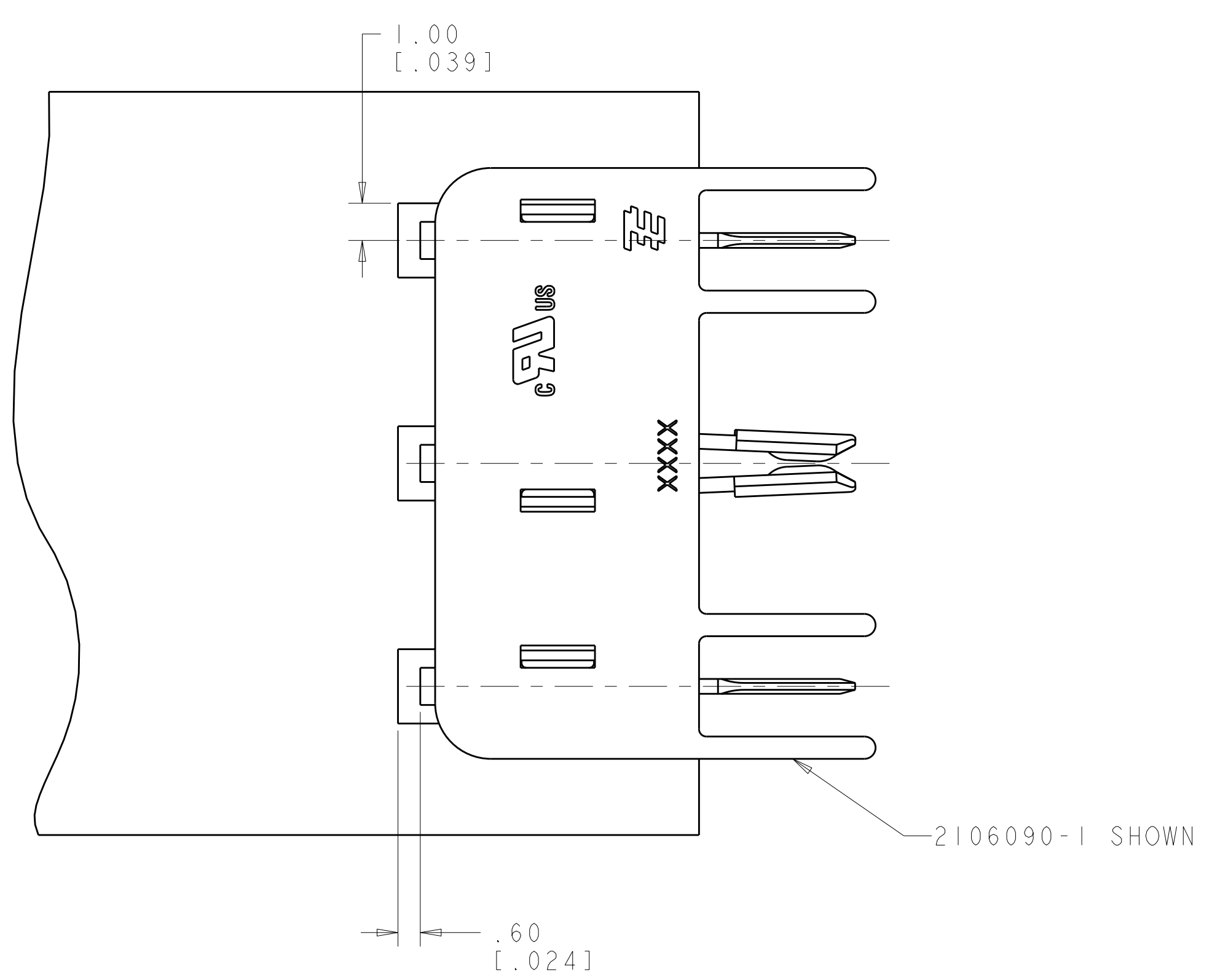


RECOMMENDED PCB LAYOUT  
 FOR 2106090-1 AND 2106090-2



2106090-1 SCALE 10:1 2106090-2

MATED PAIR SHOWN  
 FOR REFERENCE



SCALE 8:1

TYCO ELECTRONICS  
 CONFIDENTIAL  
 AND PROPRIETARY  
 PROPOSED DESIGN  
 NOT PRODUCTION TOOLED  
 DESIGN IS SUBJECT TO  
 CHANGE WITHOUT NOTICE

<small>THIS DRAWING IS UNPUBLISHED. RELEASED FOR PUBLICATION BY TYCO ELECTRONICS CORPORATION. IT IS SUBJECT TO CHANGE WITHOUT NOTICE AND WITHOUT WARRANTY. TYCO ELECTRONICS CORPORATION SHALL BE CONTACTED FOR THE LATEST REVISION.</small>		DWN: OMPRAKASH 06DEC2008 CHK: R. NARANG 10DEC2008 APVD: -	Tyco Electronics Harrisburg, PA 17105-3608
DIMENSIONS: mm [INCHES]	TOLERANCES UNLESS OTHERWISE SPECIFIED: 9 PLG ±.01 1 PLG ±.13 2 PLG ±.013 3 PLG ±.013 4 PLG ±.013 ANGLES ±.2°	PRODUCT SPEC: - APPLICATION SPEC: - WEIGHT: - FINISH: -	NAME: 3 POSITION BLADE AND RECEPTACLE SIZE: A   00779   C=2106090 RESTRICTED TO: -
MATERIAL:		CUSTOMER DRAWING	SCALE 10:1 SHEET 3 OF 3 REV 1