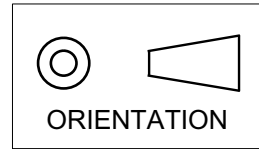
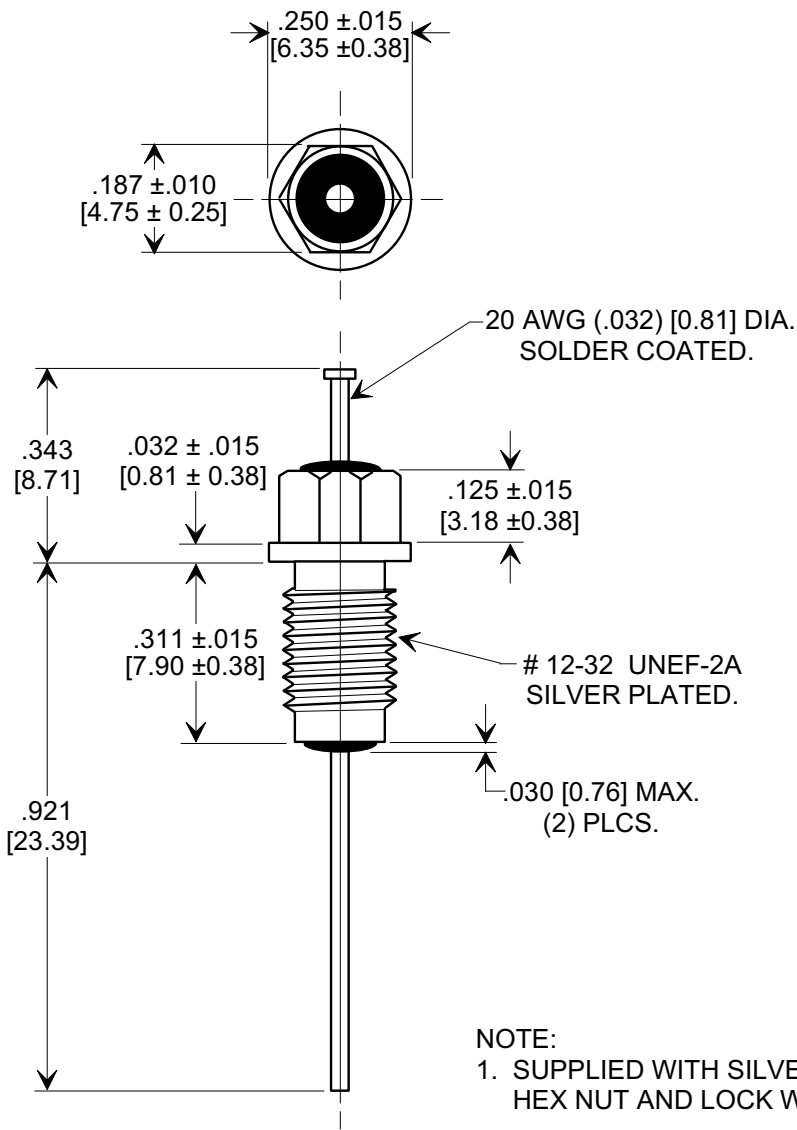
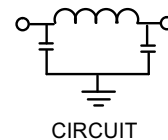


MARKETING SALES DRAWING
DIMENSIONS IN INCHES - DO NOT SCALE THIS DRAWING
DIMENSIONS IN METRIC - []

This drawing is the property of Tusonix, Inc., and may not be used, reproduced, published or disclosed to others without expressed authorization by Tusonix Inc.



Electrical Testing
per Tusonix standard
test plans and Mil-Std-202
Test Methods.



MIN. CAP. (pF)	WORKING VOLTAGE (WVdc)	CURRENT IDC	MINIMUM NO LOAD INSERTION LOSS (dB) AT 25°C PER MIL-STD -220			
	125 °C		50 MHz	100 MHz	1 GHz	10 GHz
1500	200	10 A	32	45	70	70

X-2015 Rev-0 REVISION RECORD Original Release C.O. ECO-666	A	TOLERANCES unless otherwise specified 2 PLC. DECIMAL ± // 3 PLC. DECIMAL ± .031 [0.79]	Title M15733/61-0005 BUSHING STYLE EMI FILTER		
			ANGLES ± // TUSONIX TUCSON, ARIZONA	Drawn L.E. 04-15-09 Approved R.L. 04-15-09	Scale X 3
		A	4203-502		