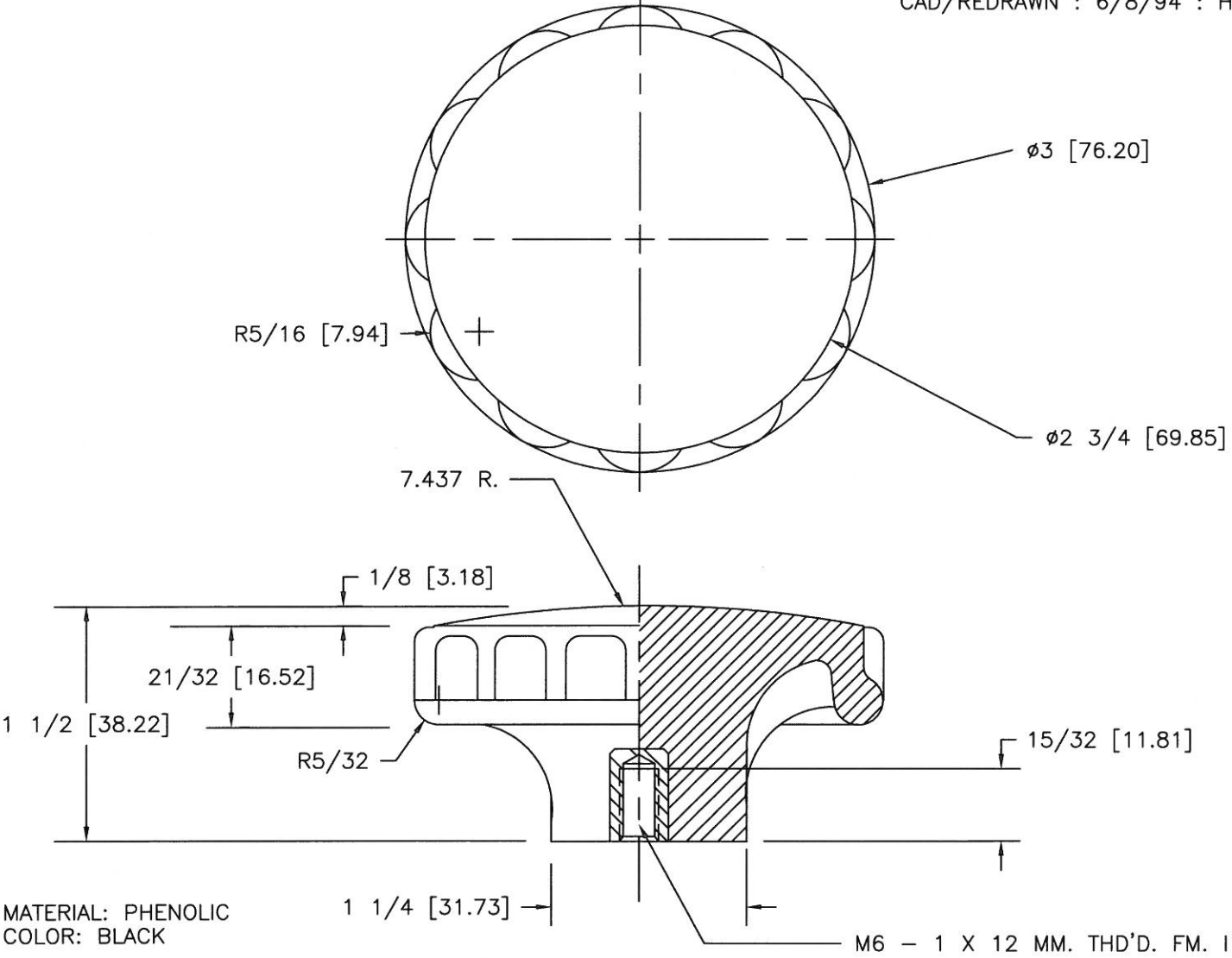


PART NAME: KNOB    SCALE: 1:1    DATE: 6/1/89    DR. BHD  
 THIS DRAWING IS THE PROPERTY OF DAVIES MOLDING COMPANY, IS SUBMITTED SOLELY AS A DESIGN OR ENGINEERING PROJECT.  
 WE ACCEPT NO RESPONSIBILITY WHATSOEVER FOR THE PRACTICAL APPLICATION OF THE PIECES MADE TO THIS DESIGN.

**DAVIES MOLDING** DESIGNERS & MANUFACTURERS OF KNOBS, HANDLES, CASES & CUSTOM PLASTIC COMPONENTS

P/N	3018-E
M NO.	5247-9
CAV.	5247-9
PLUNGER	3018
PINS	5247-9-A
PINS	5247-9-E
INSERT	I1043
SHIM	.062

CAD/REDRAWN : 6/8/94 : HD



MATERIAL: PHENOLIC  
 COLOR: BLACK

M6 - 1 X 12 MM. THD'D. FM. I1043, BRASS

TOLERANCES: UNLESS OTHERWISE SPECIFIED	DO NOT SCALE DRAWING			
DECIMALS: X.XXX ± .005 X.XX ± .015	MM: X.XX ± 0.15MM X.X ± 0.4MM			
FRACTIONS ± 1/64	ANG. ± 1°	CHANGES		