

# SDQ

## Low-profile dual winding shielded drum inductor/transformer



### Applications

- Transformer: (1:1), SEPIC, flyback
- Buck, boost, coupled inductor
- Mobile phones
- Notebook and laptop power
- Digital cameras
- Media players
- PCMCIA cards
- GPS systems

### Product features

- Dual winding inductors that can be used as either a single inductor, or in coupled inductor/transformer applications (1:1 turns ratio)
- Windings can be connected in series or parallel, offering a broad range of inductance and current ratings
- Current range from 0.063 A to 6.43 A
- Inductance range from 0.47  $\mu$ H to 4.03 mH
- Ferrite shielded, low EMI
- Ferrite core material
- 500 Vdc isolation between windings

### Environmental Data

- Storage temperature range (Component): -40 °C to +125 °C
- Operating temperature range: -40 °C to +125 °C (ambient plus self-temperature rise)
- Solder reflow temperature: J-STD-020 (latest revision) compliant



Product specifications

| Part Number | Rated Inductance (μH) | Part Marking | Parallel Ratings             |                                     |                                     |                             |                                   | Series Ratings               |                                     |                                     |                |                                   |
|-------------|-----------------------|--------------|------------------------------|-------------------------------------|-------------------------------------|-----------------------------|-----------------------------------|------------------------------|-------------------------------------|-------------------------------------|----------------|-----------------------------------|
|             |                       |              | OCL <sup>(1)</sup> ±20% (μH) | I <sub>rms</sub> <sup>(2)</sup> (A) | I <sub>sat</sub> <sup>(3)</sup> (A) | DCR <sup>(4)</sup> (Ω) typ. | Volts <sup>(5)</sup> (u-sec) typ. | OCL <sup>(1)</sup> ±20% (μH) | I <sub>rms</sub> <sup>(2)</sup> (A) | I <sub>sat</sub> <sup>(3)</sup> (A) | DCR Ω (4) typ. | Volts <sup>(5)</sup> (u-sec) typ. |
| SDQ12-R47-R | 0.47                  | A            | 0.49±30%                     | 2.78                                | 4.34                                | 0.0325                      | 2.45                              | 1.96±30%                     | 1.39                                | 2.17                                | 0.1298         | 4.90                              |
| SDQ12-1R0-R | 1                     | B            | 0.81                         | 2.49                                | 3.38                                | 0.0403                      | 3.15                              | 3.24                         | 1.25                                | 1.69                                | 0.1611         | 6.30                              |
| SDQ12-1R5-R | 1.5                   | C            | 1.69                         | 1.69                                | 2.34                                | 0.0870                      | 4.55                              | 6.76                         | 0.847                               | 1.17                                | 0.3481         | 9.10                              |
| SDQ12-2R2-R | 2.2                   | D            | 2.25                         | 1.60                                | 2.03                                | 0.0977                      | 5.25                              | 9.00                         | 0.800                               | 1.01                                | 0.3908         | 10.5                              |
| SDQ12-3R3-R | 3.3                   | E            | 3.61                         | 1.28                                | 1.60                                | 0.1527                      | 6.65                              | 14.44                        | 0.640                               | 0.800                               | 0.6106         | 13.3                              |
| SDQ12-4R7-R | 4.7                   | F            | 4.41                         | 1.12                                | 1.45                                | 0.1990                      | 7.35                              | 17.64                        | 0.560                               | 0.724                               | 0.7959         | 14.7                              |
| SDQ12-6R2-R | 6.2                   | G            | 6.25                         | 1.02                                | 1.22                                | 0.2387                      | 8.75                              | 25.00                        | 0.512                               | 0.608                               | 0.9548         | 17.5                              |
| SDQ12-8R2-R | 8.2                   | H            | 8.41                         | 0.868                               | 1.05                                | 0.3318                      | 10.15                             | 33.64                        | 0.434                               | 0.524                               | 1.33           | 20.3                              |
| SDQ12-100-R | 10                    | J            | 9.61                         | 0.831                               | 0.981                               | 0.3620                      | 10.85                             | 38.44                        | 0.416                               | 0.490                               | 1.45           | 21.7                              |
| SDQ12-150-R | 15                    | K            | 15.21                        | 0.658                               | 0.779                               | 0.5766                      | 13.65                             | 60.84                        | 0.329                               | 0.390                               | 2.31           | 27.3                              |
| SDQ12-220-R | 22                    | L            | 22.09                        | 0.548                               | 0.647                               | 0.8332                      | 16.45                             | 88.36                        | 0.274                               | 0.323                               | 3.33           | 32.9                              |
| SDQ12-330-R | 33                    | M            | 32.49                        | 0.439                               | 0.533                               | 1.29                        | 19.95                             | 130.0                        | 0.220                               | 0.267                               | 5.18           | 39.9                              |
| SDQ12-470-R | 47                    | N            | 47.61                        | 0.401                               | 0.441                               | 1.55                        | 24.15                             | 190.4                        | 0.201                               | 0.220                               | 6.21           | 48.3                              |
| SDQ12-680-R | 68                    | O            | 68.89                        | 0.326                               | 0.366                               | 2.36                        | 29.05                             | 275.6                        | 0.163                               | 0.183                               | 9.43           | 58.1                              |
| SDQ12-820-R | 82                    | P            | 82.81                        | 0.309                               | 0.334                               | 2.62                        | 31.85                             | 331.2                        | 0.154                               | 0.167                               | 10.49          | 63.7                              |
| SDQ25-R47-R | 0.47                  | A            | 0.392±30%                    | 3.71                                | 6.43                                | 0.0181                      | 2.31                              | 1.57±30%                     | 1.86                                | 3.21                                | 0.0725         | 4.62                              |
| SDQ25-R82-R | 0.82                  | B            | 0.648±30%                    | 3.37                                | 5.00                                | 0.0221                      | 2.97                              | 2.59±30%                     | 1.68                                | 2.50                                | 0.0883         | 5.94                              |
| SDQ25-1R0-R | 1                     | C            | 0.97                         | 3.15                                | 4.09                                | 0.0252                      | 3.63                              | 3.87                         | 1.58                                | 2.05                                | 0.1007         | 7.26                              |
| SDQ25-1R5-R | 1.5                   | D            | 1.35                         | 2.97                                | 3.46                                | 0.0283                      | 4.29                              | 5.41                         | 1.49                                | 1.73                                | 0.1130         | 8.58                              |
| SDQ25-2R2-R | 2.2                   | E            | 2.31                         | 2.67                                | 2.65                                | 0.0351                      | 5.61                              | 9.25                         | 1.34                                | 1.32                                | 0.1402         | 11.2                              |
| SDQ25-3R3-R | 3.3                   | F            | 2.89                         | 2.50                                | 2.37                                | 0.0399                      | 6.27                              | 11.55                        | 1.25                                | 1.18                                | 0.1595         | 12.5                              |
| SDQ25-4R7-R | 4.7                   | G            | 5                            | 1.96                                | 1.80                                | 0.0653                      | 8.25                              | 20.00                        | 0.98                                | 0.900                               | 0.2612         | 16.5                              |
| SDQ25-6R8-R | 6.8                   | H            | 6.73                         | 1.84                                | 1.55                                | 0.0741                      | 9.57                              | 26.91                        | 0.918                               | 0.776                               | 0.2964         | 19.1                              |
| SDQ25-8R2-R | 8.2                   | J            | 8.71                         | 1.57                                | 1.36                                | 0.1015                      | 10.9                              | 34.85                        | 0.785                               | 0.682                               | 0.4059         | 21.8                              |
| SDQ25-100-R | 10                    | K            | 9.8                          | 1.53                                | 1.29                                | 0.1068                      | 11.6                              | 39.20                        | 0.765                               | 0.643                               | 0.4273         | 23.1                              |
| SDQ25-150-R | 15                    | L            | 14.79                        | 1.24                                | 1.05                                | 0.1632                      | 14.2                              | 59.17                        | 0.619                               | 0.523                               | 0.6526         | 28.4                              |
| SDQ25-220-R | 22                    | M            | 22.47                        | 1.01                                | 0.849                               | 0.2431                      | 17.5                              | 89.89                        | 0.507                               | 0.425                               | 0.9724         | 35.0                              |
| SDQ25-330-R | 33                    | N            | 33.8                         | 0.812                               | 0.692                               | 0.3795                      | 21.5                              | 135.2                        | 0.406                               | 0.346                               | 1.52           | 42.9                              |
| SDQ25-470-R | 47                    | O            | 47.43                        | 0.749                               | 0.584                               | 0.4461                      | 25.4                              | 189.7                        | 0.374                               | 0.292                               | 1.78           | 50.8                              |
| SDQ25-680-R | 68                    | P            | 69.19                        | 0.603                               | 0.484                               | 0.6865                      | 30.7                              | 276.8                        | 0.302                               | 0.242                               | 2.75           | 61.4                              |
| SDQ25-820-R | 82                    | Q            | 81.61                        | 0.580                               | 0.446                               | 0.7435                      | 33.3                              | 326.4                        | 0.290                               | 0.223                               | 2.97           | 66.7                              |
| SDQ25-101-R | 100                   | R            | 98.57                        | 0.499                               | 0.405                               | 1.00                        | 36.6                              | 394.3                        | 0.249                               | 0.203                               | 4.02           | 73.3                              |
| SDQ25-151-R | 150                   | S            | 150.2                        | 0.408                               | 0.328                               | 1.50                        | 45.2                              | 600.6                        | 0.204                               | 0.164                               | 6.00           | 90.4                              |
| SDQ25-221-R | 220                   | T            | 223.1                        | 0.326                               | 0.269                               | 2.36                        | 55.1                              | 892.4                        | 0.163                               | 0.135                               | 9.42           | 110                               |
| SDQ25-331-R | 330                   | U            | 329.7                        | 0.292                               | 0.222                               | 2.93                        | 67.0                              | 1318.7                       | 0.146                               | 0.111                               | 11.71          | 134                               |
| SDQ25-471-R | 470                   | V            | 472.4                        | 0.243                               | 0.185                               | 4.25                        | 80.2                              | 1889.6                       | 0.121                               | 0.093                               | 16.99          | 160                               |
| SDQ25-681-R | 680                   | W            | 677.4                        | 0.197                               | 0.155                               | 6.45                        | 96.0                              | 2709.8                       | 0.098                               | 0.077                               | 25.78          | 192                               |
| SDQ25-821-R | 820                   | X            | 824.3                        | 0.186                               | 0.140                               | 7.25                        | 106                               | 3297.3                       | 0.093                               | 0.070                               | 28.99          | 212                               |
| SDQ25-102-R | 1000                  | Y            | 1008.2                       | 0.160                               | 0.127                               | 9.82                        | 117                               | 4032.8                       | 0.080                               | 0.063                               | 39.26          | 234                               |

(1) Test Parameters: 100 kHz, 0.25 Vrms 0.0 Adc

(2) I<sub>rms</sub>: DC current for approximately ΔT of 40 °C without core loss. It is recommended that the temperature of the part not to exceed +125 °C. Derating is necessary for AC currents

(3) I<sub>sat</sub>: Peak current for approximately 30% rolloff @ +20 °C

(4) DCR limits @ +20 °C

(5) Applied Volt-Time product (V-μs) across the inductor at 100 kHz necessary to generate a core loss equal to 10% of the total losses for a 40 °C temperature rise. Derating of the I<sub>rms</sub> is required to prevent excessive temperature rise.

Part Number Definition:

SDQ12-XXX-R

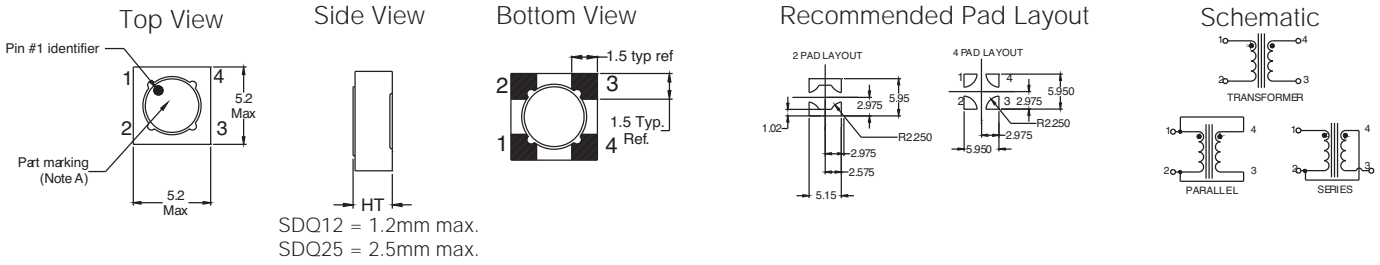
SDQ12 = Product code and Size

XXX = Inductance in uH, R = Decimal point

If no R is present, third character = # of zeros.

-R suffix indicated RoHS compliant

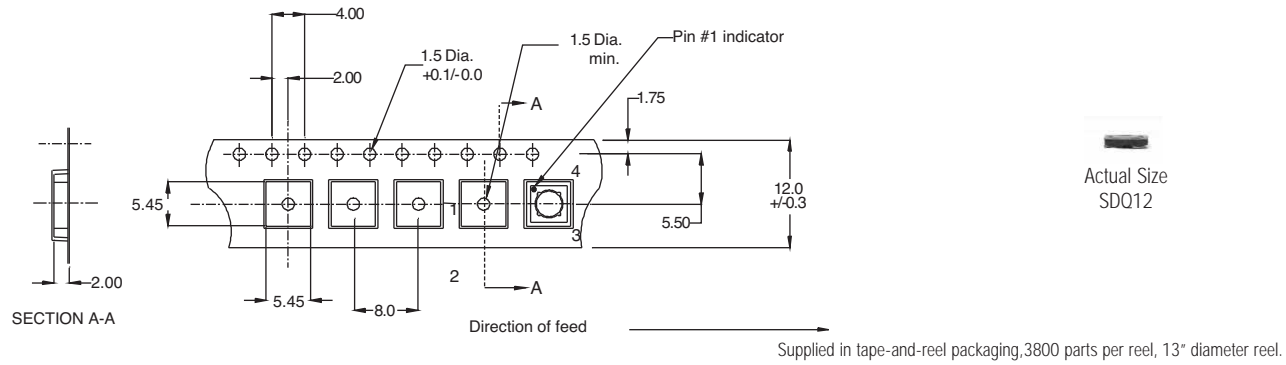
**Dimensions- mm**



Part marking: Line 1 (1st digit inductance value per part marking designator in chart above) (2nd digit is a bi-weekly production date code) (3rd digit is the last digit of the year produced)  
Line 2: xx (indicates the product size code)  
Do not route traces or vias underneath the inductor

**Packaging- mm**

SDQ12



SDQ25



**Core loss**



**Inductance characteristics**



**Solder reflow profile**



**Table 1 - Standard SnPb Solder (T<sub>C</sub>)**

| Package Thickness | Volume mm <sup>3</sup> <350 | Volume mm <sup>3</sup> ≥350 |
|-------------------|-----------------------------|-----------------------------|
| <2.5mm)           | 235°C                       | 220°C                       |
| ≥2.5mm            | 220°C                       | 220°C                       |

**Table 2 - Lead (Pb) Free Solder (T<sub>C</sub>)**

| Package Thickness | Volume mm <sup>3</sup> <350 | Volume mm <sup>3</sup> 350 - 2000 | Volume mm <sup>3</sup> >2000 |
|-------------------|-----------------------------|-----------------------------------|------------------------------|
| <1.6mm            | 260°C                       | 260°C                             | 260°C                        |
| 1.6 - 2.5mm       | 260°C                       | 250°C                             | 245°C                        |
| >2.5mm            | 250°C                       | 245°C                             | 245°C                        |

**Reference JEDEC J-STD-020**

| Profile Feature  | Standard SnPb Solder | Lead (Pb) Free Solder |
|--|----------------------|-----------------------|
| Preheat and Soak   |                      |                       |
| • Temperature min. (T <sub>smin</sub> )  | 100°C                | 150°C                 |
| • Temperature max. (T <sub>smax</sub> )  | 150°C                | 200°C                 |
| • Time (T <sub>smin</sub> to T <sub>smax</sub> ) (t <sub>s</sub> )                                 | 60-120 Seconds       | 60-120 Seconds        |
| Average ramp up rate T <sub>smax</sub> to T <sub>p</sub>   | 3°C/ Second Max.     | 3°C/ Second Max.      |
| Liquidous temperature (T <sub>L</sub> )  | 183°C                | 217°C                 |
| Time at liquidous (t <sub>L</sub> )  | 60-150 Seconds       | 60-150 Seconds        |
| Peak package body temperature (T <sub>p</sub> )*   | Table 1              | Table 2               |
| Time (t <sub>p</sub> )** within 5 °C of the specified classification temperature (T <sub>C</sub> ) | 20 Seconds**         | 30 Seconds**          |
| Average ramp-down rate (T <sub>p</sub> to T <sub>smax</sub> )                                      | 6°C/ Second Max.     | 6°C/ Second Max.      |
| Time 25°C to Peak Temperature  | 6 Minutes Max.       | 8 Minutes Max.        |

\* Tolerance for peak profile temperature (T<sub>p</sub>) is defined as a supplier minimum and a user maximum.

\*\* Tolerance for time at peak profile temperature (t<sub>p</sub>) is defined as a supplier minimum and a user maximum.

Life Support Policy: Eaton does not authorize the use of any of its products for use in life support devices or systems without the express written approval of an officer of the Company. Life support systems are devices which support or sustain life, and whose failure to perform, when properly used in accordance with instructions for use provided in the labeling, can be reasonably expected to result in significant injury to the user.

Eaton reserves the right, without notice, to change design or construction of any products and to discontinue or limit distribution of any products. Eaton also reserves the right to change or update, without notice, any technical information contained in this bulletin.

**Eaton**  
**Electronics Division**  
 1000 Eaton Boulevard  
 Cleveland, OH 44122  
 United States  
[www.eaton.com/electronics](http://www.eaton.com/electronics)

© 2017 Eaton  
 All Rights Reserved  
 Printed in USA  
 Publication No. 4339 SB-BU08352  
 August 2017

Eaton is a registered trademark.

All other trademarks are property of their respective owners.