

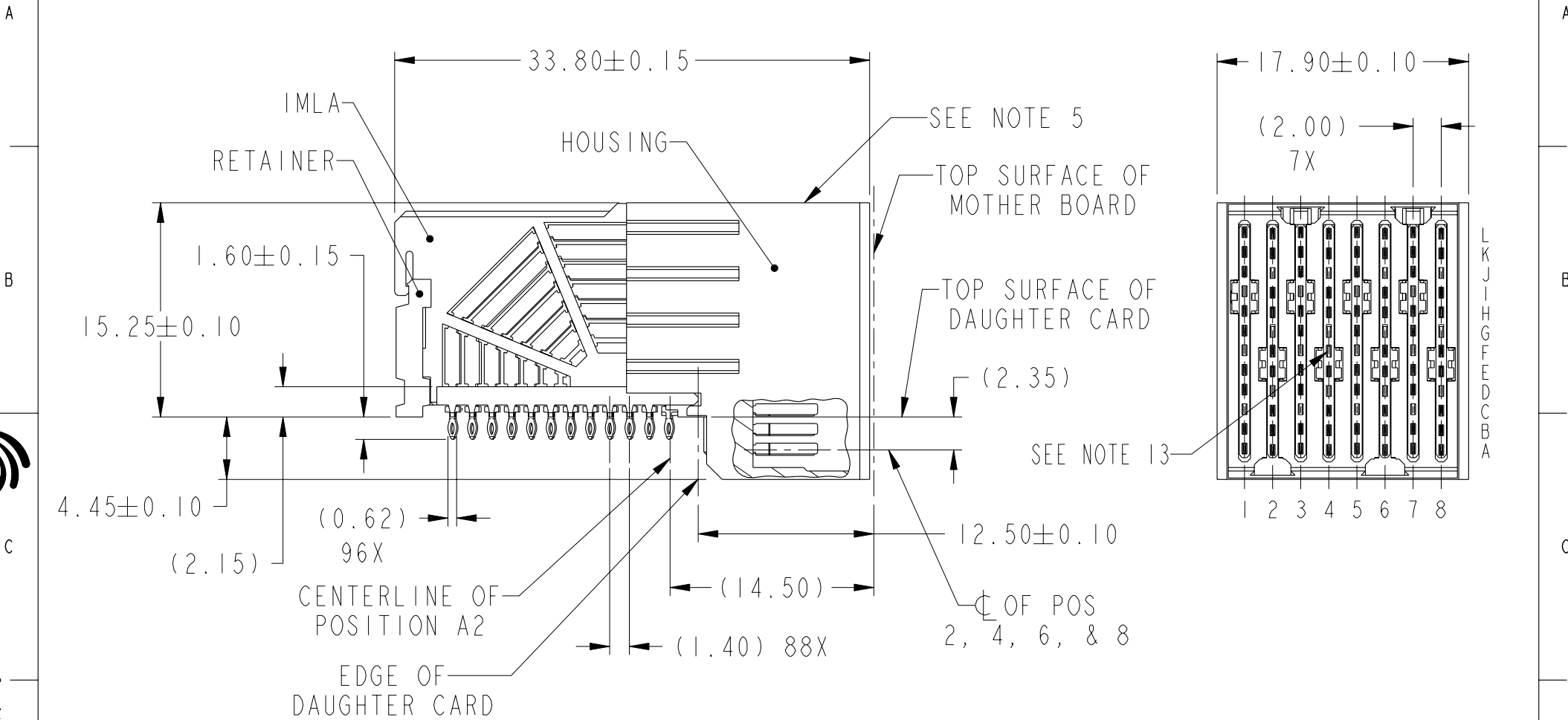
1

2

3

4

Product number
SEE TABLE, SHT 5



Copyright FCI.

D

www.fciconnect.com		surface - <input checked="" type="checkbox"/> ASME Y14.5	tolerance std - <input checked="" type="checkbox"/> ASME Y14.5	projection	MM
		TOLERANCES UNLESS OTHERWISE SPECIFIED			Scale 5:2
Dr	C. H. TAN	2008-06-02	ANGULAR	size A4	ECN ***
Eng	C. H. TAN	2008-06-02	LINEAR		
Chr	C. H. TAN	2008-07-31	0° ±°		
Appr	JOEY NG	2008-07-31	Product family AirMax VS		Spec ref
FCI		AirMax VS R/A HEADER ASSY		dwg no 10084584	Rev. C
		PRESS-FIT, 96 POS, 18MM		CUSTOMER	sheet 1 of 5
		catalog no -			

rev	ecn no	dr	date
A	S08-0174	CH	2008-06-02
B	S08-0187	CH	2008-06-13
C	S08-0251	CH	2008-07-31
-	-	-	-
-	-	-	-
-	-	-	-
-	-	-	-

REV F - 2006-04-17

2

PDM: Rev:C

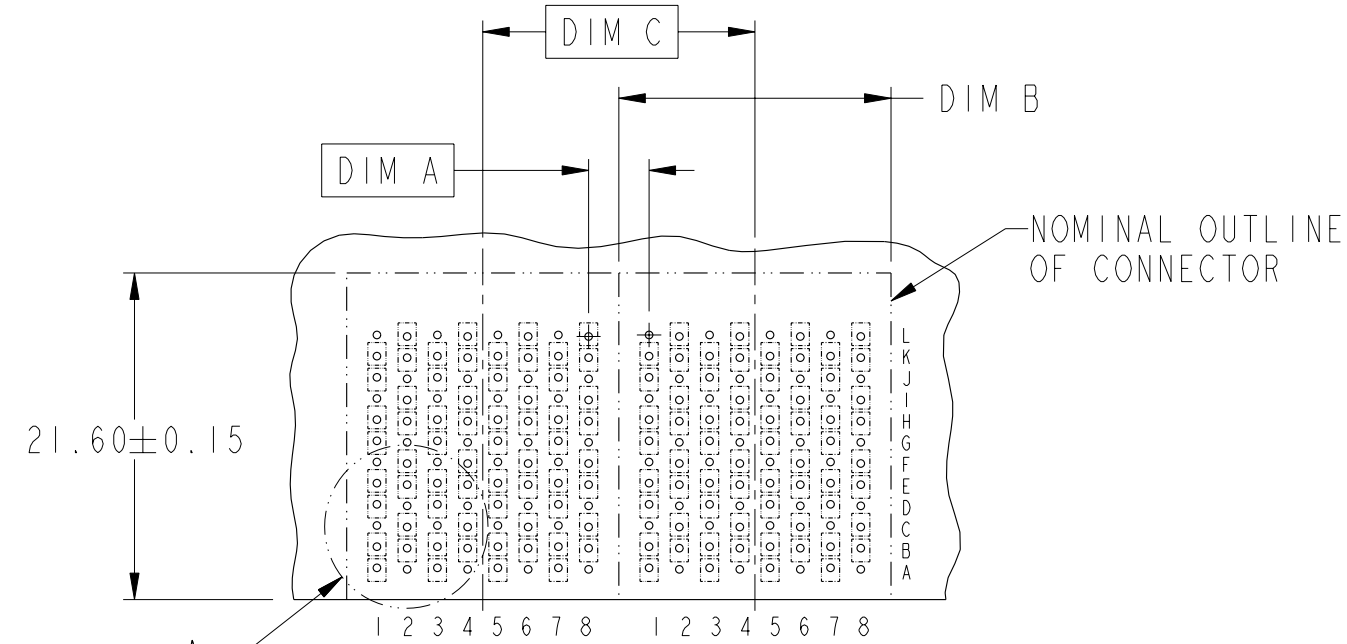
STATUS: Released

Printed: Dec 01, 2010



Copyright FCI.

DESCRIPTION	DIM A	DIM B	DIM C
2-18MM MODULES PLACED END-TO-END	4.00	17.90 2X	18.00
1-16MM MODULE & 1-18MM MODULE PLACED END-TO-END	3.00	15.90 1X & 17.90 1X	17.00

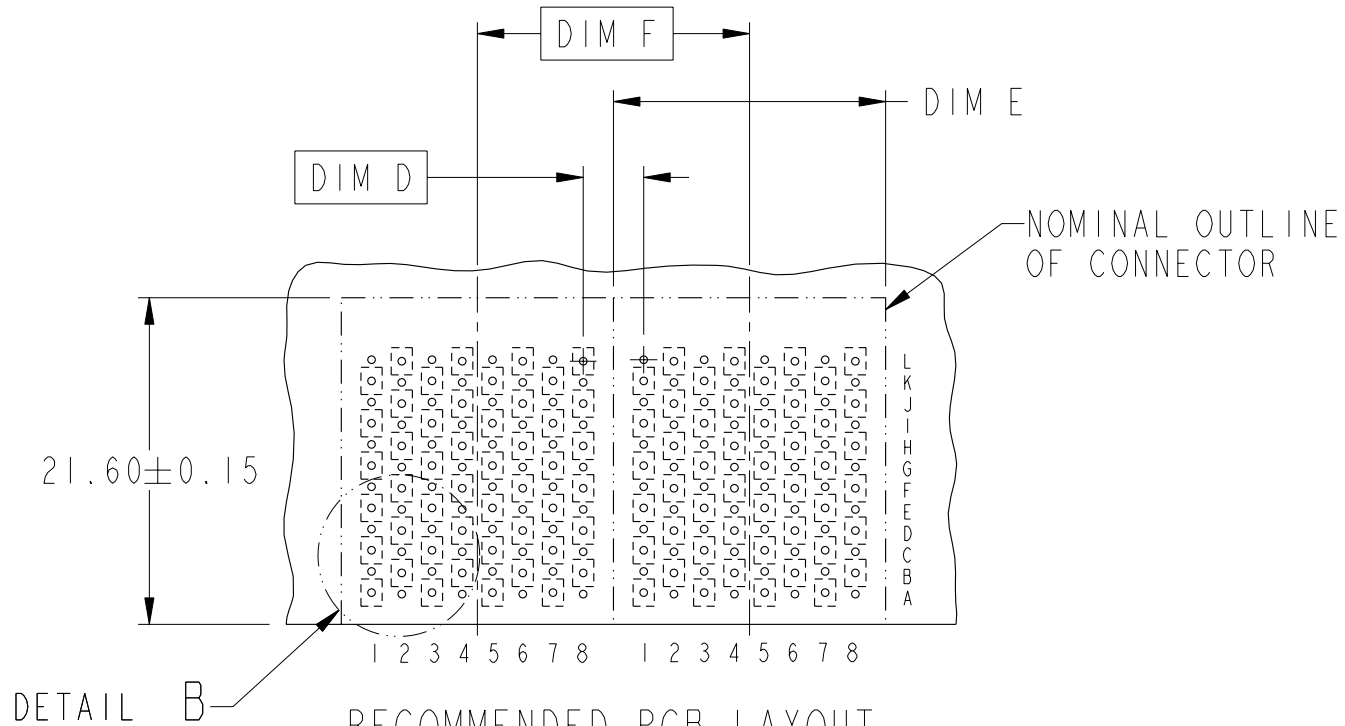


RECOMMENDED PCB LAYOUT
FOR DIFFERENTIAL APPLICATIONS
COMPONENT SIDE
(TWO ADJACENT FOOTPRINTS SHOWN)
NOTES 6 & 7



TITLE	AirMax VS R/A HEADER ASSY		dwg no	10084584	Rev.	C
	PRESS-FIT, 96 POS, 18MM					
catalog no			-	CUSTOMER	sheet 2 of 5	

DESCRIPTION	DIM D	DIM E	DIM F
2-18MM MODULES PLACED END-TO-END	4.00	17.90 2X	18.00
1-16MM MODULE & 1-18MM MODULE PLACED END-TO-END	3.00	15.90 1X & 17.90 1X	17.00



RECOMMENDED PCB LAYOUT
FOR SINGLE ENDED APPLICATIONS
COMPONENT SIDE
(TWO ADJACENT FOOTPRINTS SHOWN)
NOTES 6 & 7



title AirMax VS R/A HEADER ASSY
PRESS-FIT, 96 POS, 18MM
catalog no -

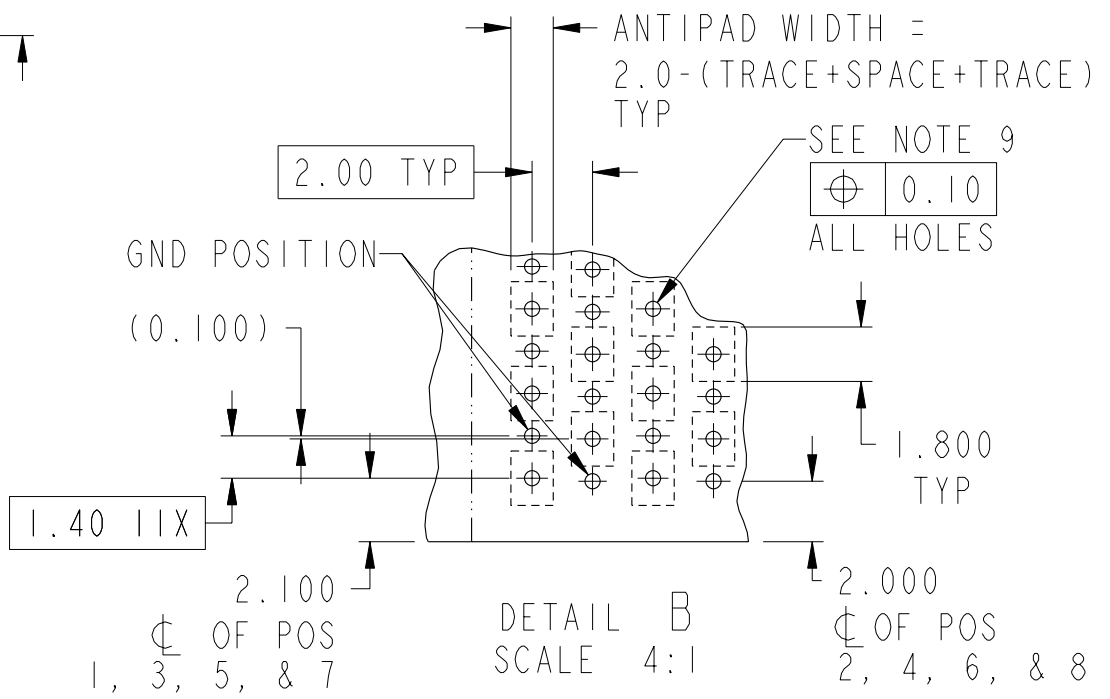
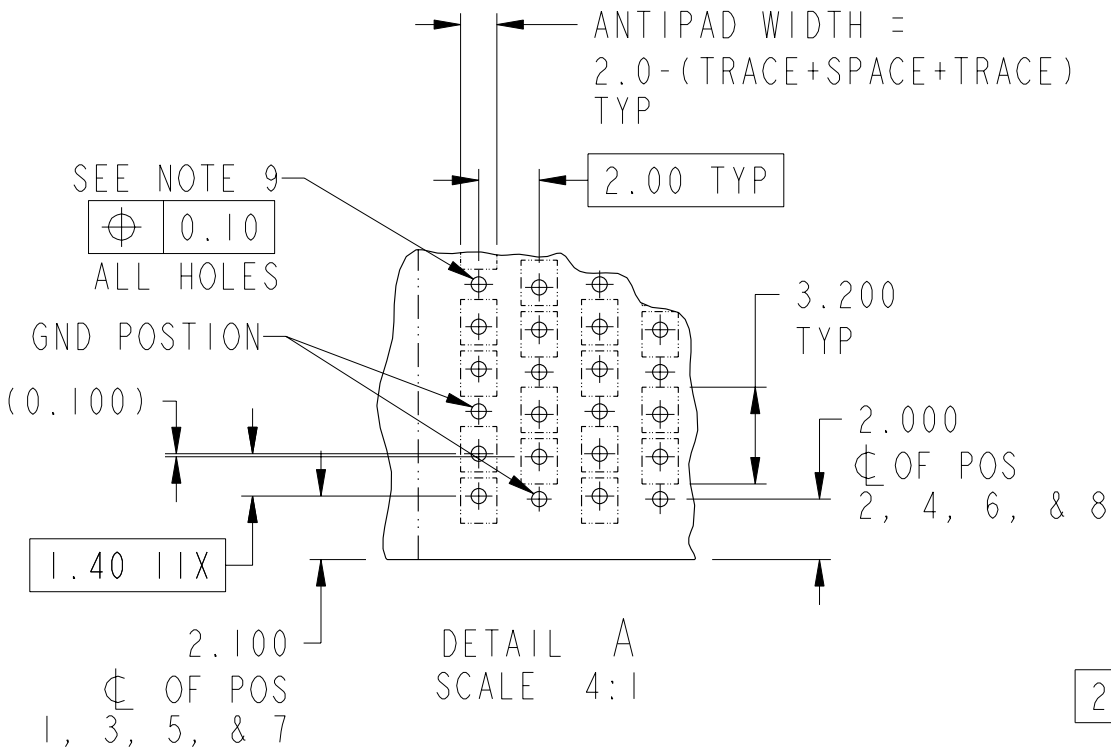
dwg no 10084584

Rev. C

CUSTOMER sheet 3 of 5



Copyright FCI.

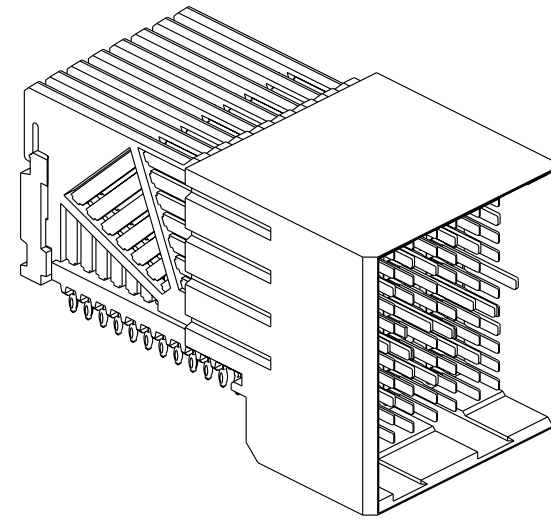


part no AirMax VS R/A HEADER ASSY
PRESS-FIT, 96 POS, 18MM
catalog no -

dwg no 10084584
CUSTOMER

Rev. C
sheet 4 of 5

PART NUMBER	PRESS-FIT TAIL PLATING TYPE	SHORT DETECT CONTACT
10084584-101LF	TIN OVER NICKEL (LEAD FREE)	NO
10084584-111LF	TIN/LEAD ALLOY OVER NICKEL	YES (SEE NOTE 13)



NOTES:

1. CONNECTOR MATERIALS:
 HOUSING & RETAINER: HIGH TEMP THERMOPLASTIC, NATURAL, UL94V-0
 IMLA PLASTIC: HIGH TEMP THERMOPLASTIC, BLACK, UL94V-0
 CONTACT: COPPER ALLOY

2. CONTACT PLATING:
 SEPARABLE INTERFACE:
 PERFORMANCE-BASED PLATING, QUALIFIED TO MEET THE REQUIREMENTS OF FCI PRODUCT SPECIFICATION GS-12-239, INCLUDING TELCORDIA GR-1217-CORE (NOVEMBER 1995) CENTRAL OFFICE.
 PRESS-FIT TAILS: SEE TABLE

3. PRODUCT SPECIFICATION: GS-12-239

4. APPLICATION SPECIFICATION: GS-20-035

5. PRODUCT MARKING, (PART NUMBER & LOT CODE), ON THIS SURFACE

6. REFER TO CUSTOMER DRAWING 10035911 FOR INFORMATION REGARDING PCB LAYOUT OF POWER AND GUIDE MODULES RELATIVE TO SIGNAL MODULES

7. POSITIONS F OF ODD NUMBERED COLUMNS AND POSITIONS G OF EVEN NUMBERED COLUMNS CORRESPOND TO EARLY MATE HEADER PINS

8. THERE IS NO GROUND BUSSING WITHIN THE CONNECTOR SYSTEM

9. REFER TO CUSTOMER DRAWING 10045979 FOR INFORMATION ON PCB HOLE DIAMETERS AND PLATING OPTIONS.

10. THIS PRODUCT MEETS EUROPEAN UNION DIRECTIVES AND OTHER COUNTRY REGULATIONS AS DESCRIBED IN GS-22-008.

11. THE HOUSING WILL WITHSTAND EXPOSURE TO 260°C PEAK TEMPERATURE FOR 40 SECONDS IN A CONVECTION, INFRA-RED OR VAPOR PHASE REFLOW OVEN.

12. PACKAGING MEETS GS-14-920 LEAD FREE LABELING SPECIFICATION.

13. MATING PIN F4 IS SHORTER THAN ALL REMAINING SIGNAL PINS. NOMINAL MATING WIPE FOR PIN F4 IS 0.5MM LESS THAN ALL REMAINING SIGNAL PINS.

14. A \triangle SYMBOL WILL BE NEXT TO ANY DIMENSION, VIEW, OR NOTE WHICH HAS BEEN MODIFIED WITH THE CURRENT DRAWING REVISION.



Copyright FCI.

FCI	title	AirMax VS R/A HEADER ASSY	dwg no	10084584	Rev.	C
	catalog no	PRESS-FIT, 96 POS, 18MM	-	CUSTOMER	sheet 5 of 5	