

# Thermofit® Molded Parts

## Specification Control Drawing

**Part Number:** 102A962  
**Description:** Switch Cover

**Notes:**

- All dimensions are in  $\frac{\text{Inches}}{\text{[Millimeters]}}$
- Dimensions appearing in table are as follows:  
 a - as supplied  
 b - after unrestricted recovery
- Coating is optional. As supplied dimensions appearing in table are for uncoated parts. When coating is added, entry diameters will be reduced by .06 max.
- Standard color is grey. Other colors available upon request.

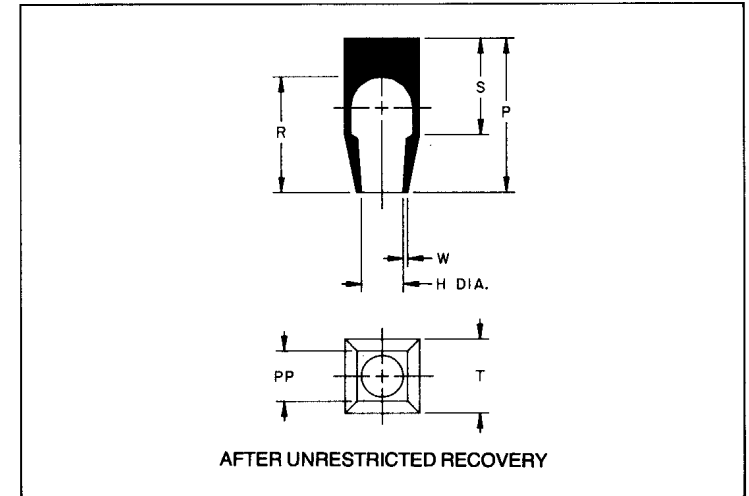
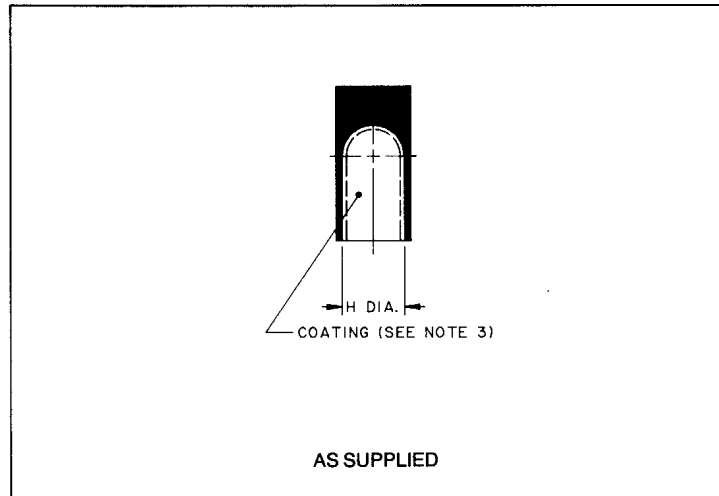


Table of Dimensions									
Part Number	H		P	R	S	T	PP	W	Weight Nom
	Min a	Max b	±10% b	±10% b	Ref b	±10% b	±10% b	±20% b	
102A962	$\frac{.50}{[12,7]}$	$\frac{.28}{[7,1]}$	$\frac{1.04}{[26,4]}$	$\frac{.78}{[19,8]}$	$\frac{.65}{[16,5]}$	$\frac{.49}{[12,4]}$	$\frac{.31}{[7,9]}$	$\frac{.03}{[0,76]}$	$\frac{.007}{[3,0]}$

# Thermofit® Molded Parts

## Specification Control Drawing

**Part Number:** 102A962  
**Description:** Switch Cover

### Compatability Chart

Material Dash No.	Material Description	RT Spec	Coating Slash No.	Coating S No.	Coating Description
- 3	Polyolefin, Semi-Rigid	RT-301	/42	S-1017	Adhesive

### Ordering Information:

102A962 — X — XX / XX

Base part number

Material dash number  
 (see compatability chart)

Modification number  
 (if necessary, see front of SCD binder  
 for a complete modification list)

Adhesive slash number  
 (if necessary, see compatability chart)

This drawing is subject to change without notice; consult your nearest field representative for current revision.

## Raychem

Raychem Corporation  
 300 Constitution Drive  
 Menlo Park, California 94025  
 415) 361 6055

If this document is printed it becomes uncontrolled.  
 Check with the web for latest revision.

Revision: **B**  
 Date: **3-8-90**

**Part Number:** 102A962  
**Description:** Switch Cover