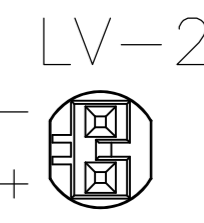
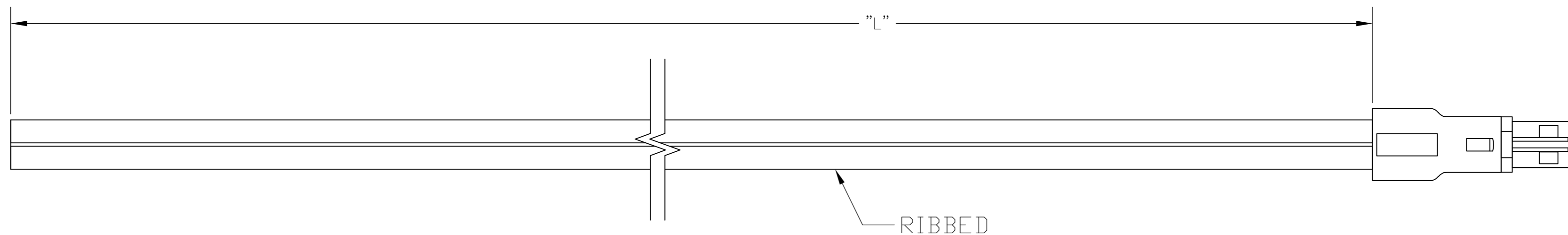


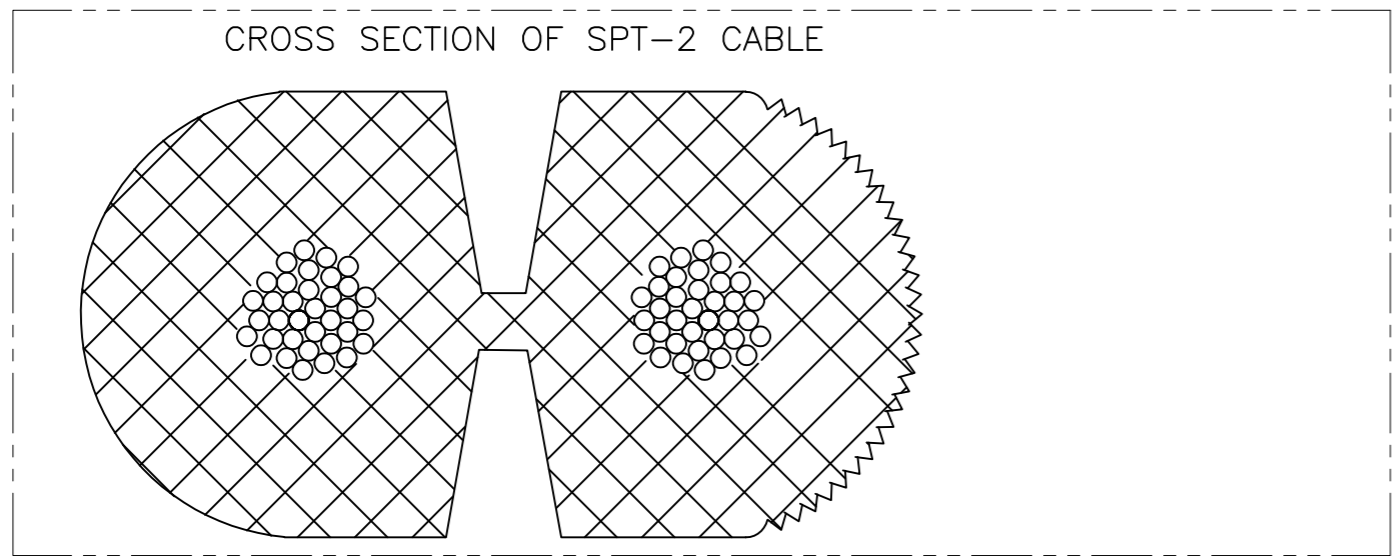
THIS DRAWING IS UNPUBLISHED. RELEASED FOR PUBLICATION
 © COPYRIGHT - By - ALL RIGHTS RESERVED.

LOC	DIST	REVISIONS			
P	LTR	DESCRIPTION	DATE	DWN	APVD
GP	00	A	INITIAL RELEASE	01/AUG/11	ECC PB



WIRING SCHEDULE		
	SIDE	PLUG
+	RIBBED	1
-	SMOOTH	2

1. PACKAGING ACC. TO TE SPEC.107-18032
BUNDLE EVERY 25 ASSEMBLIES WITH A RUBBER BAND
 2. ELECTRICAL TEST CONTAINING "SHORT CIRCUIT TEST, CONTINUITY AND ACCURATE CAVITY ASSIGNMENT TEST" ACC. TO TE-SPEC.108-18857, SUBSECTION 3.1.1
- 3 WIRING SCHEDULE AS SHOWN



16.0 FT	±3.84	2181195-8
14.0 FT	±3.36	2181195-7
12.0 FT	±2.88	2181195-6
10.0 FT	±2.4	2181195-5
8.0 FT	±1.92	2181195-4
6.0 FT	±1.44	2181195-3
4.0 FT	±.96	2181195-2
2.0 FT	±.48	2181195-1
"L"	TOLERANCES [INCHES]	TE P/N

THIS DRAWING IS A CONTROLLED DOCUMENT.

DWN	E.C. CLAYBAUGH	17/JUN/11
CHK	P. BECKER	13/JUL/11
APVD	P. BECKER	01/AUG/11

TE Connectivity

NAME: CABLE ASSY, NECTOR, LV-2, PLUG - PIGTAIL

SIZE	CAGE CODE	DRAWING NO	RESTRICTED TO
A2	00779	C-2181195	-

CUSTOMER DRAWING

SCALE: NTS SHEET 1 of 1 REV A

2181195