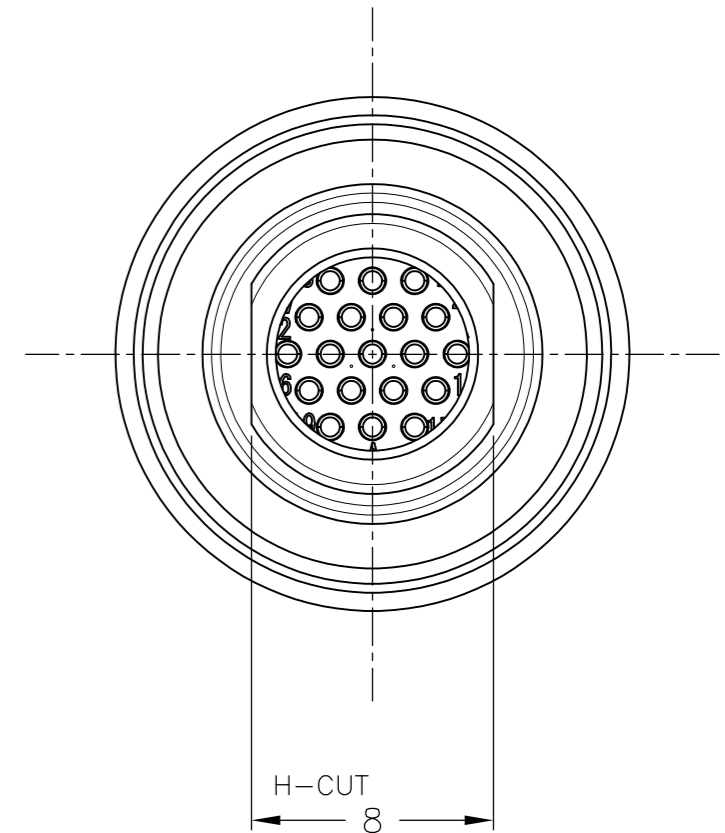
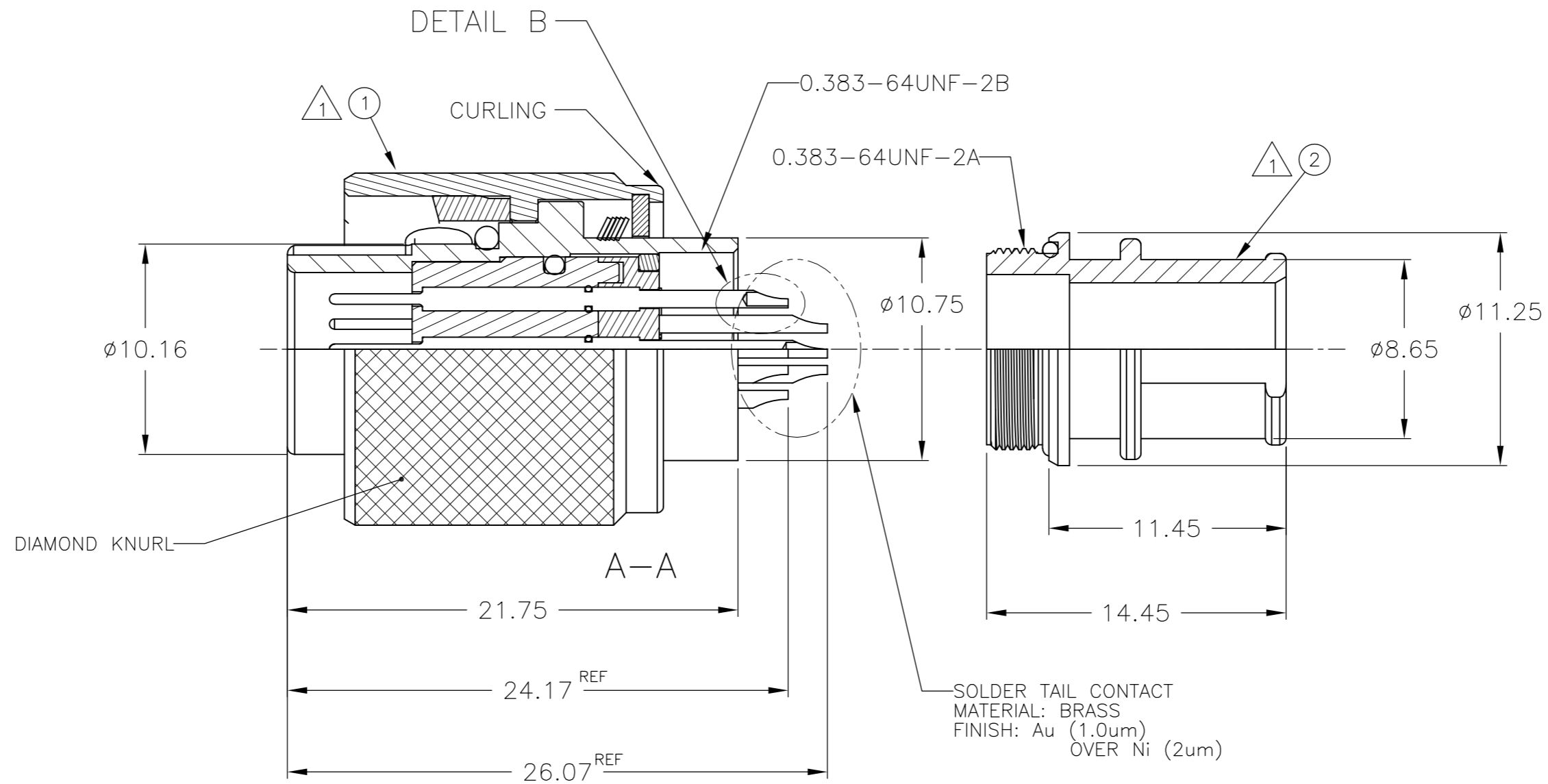
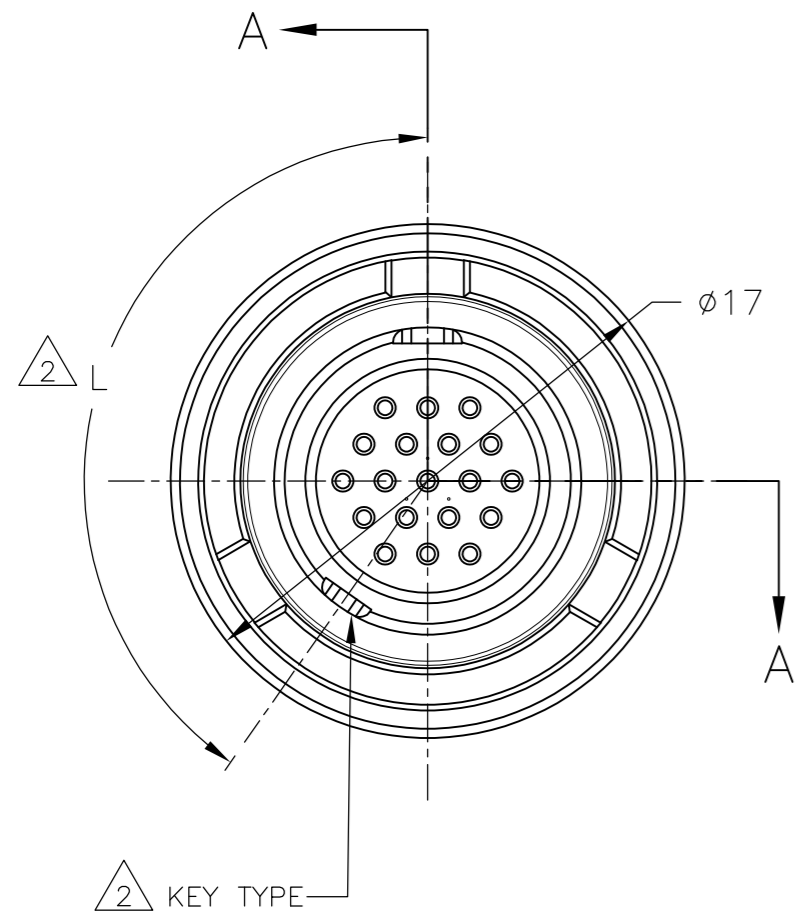
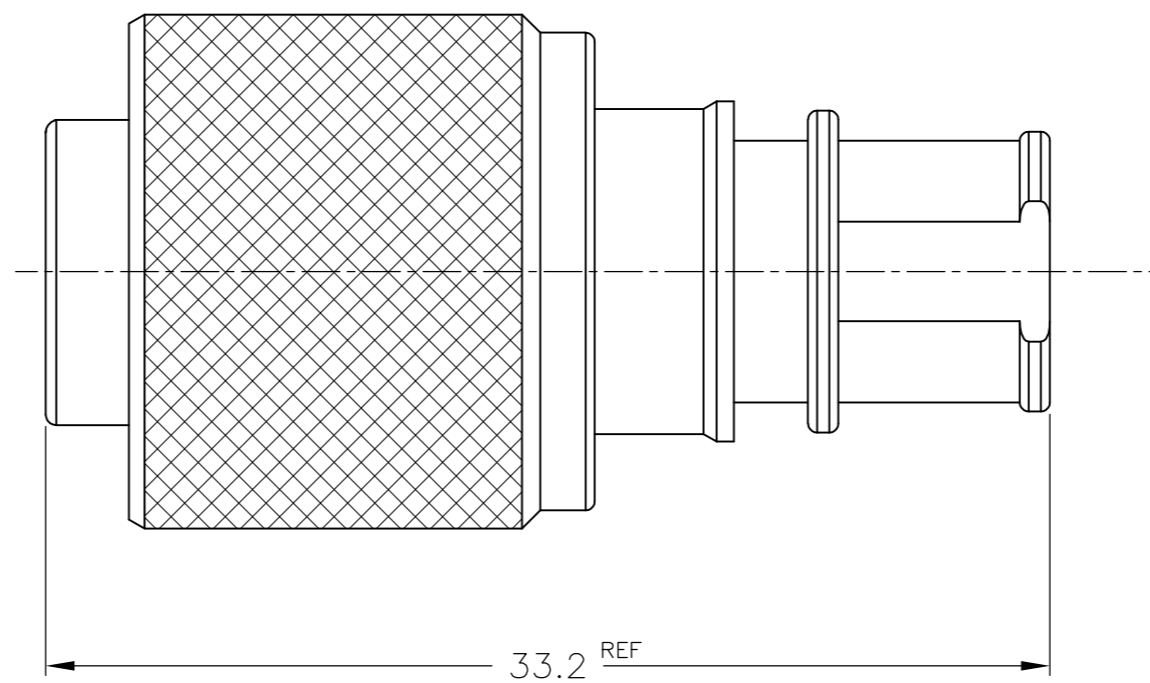
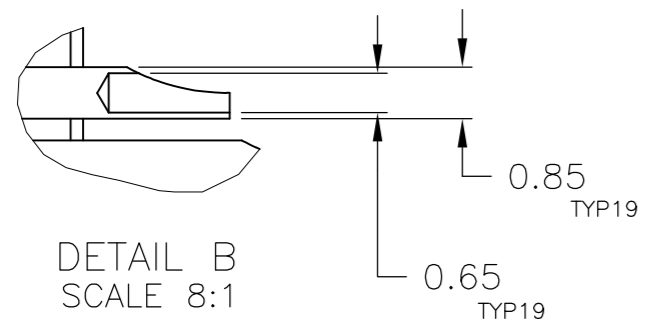


LOC	DIST	REVISIONS			
P	LTR	DESCRIPTION	DATE	DWN	APVD
J					
C		REVISED	05SEP2014	H.S	C.O

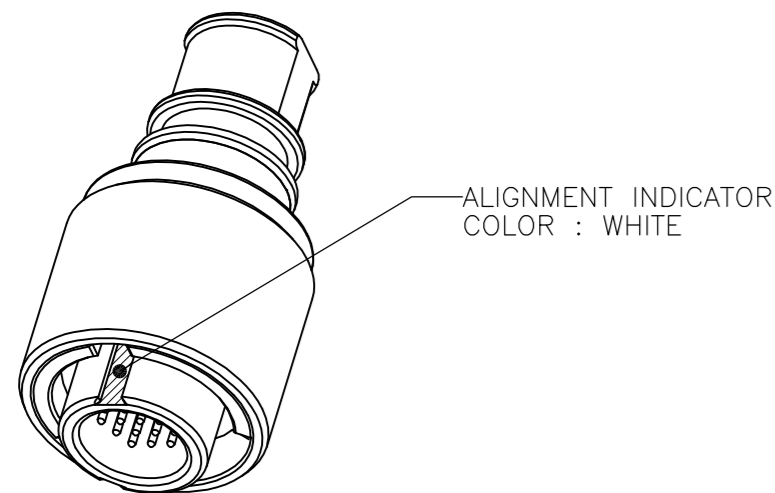


AS SHOWN 2174211-*

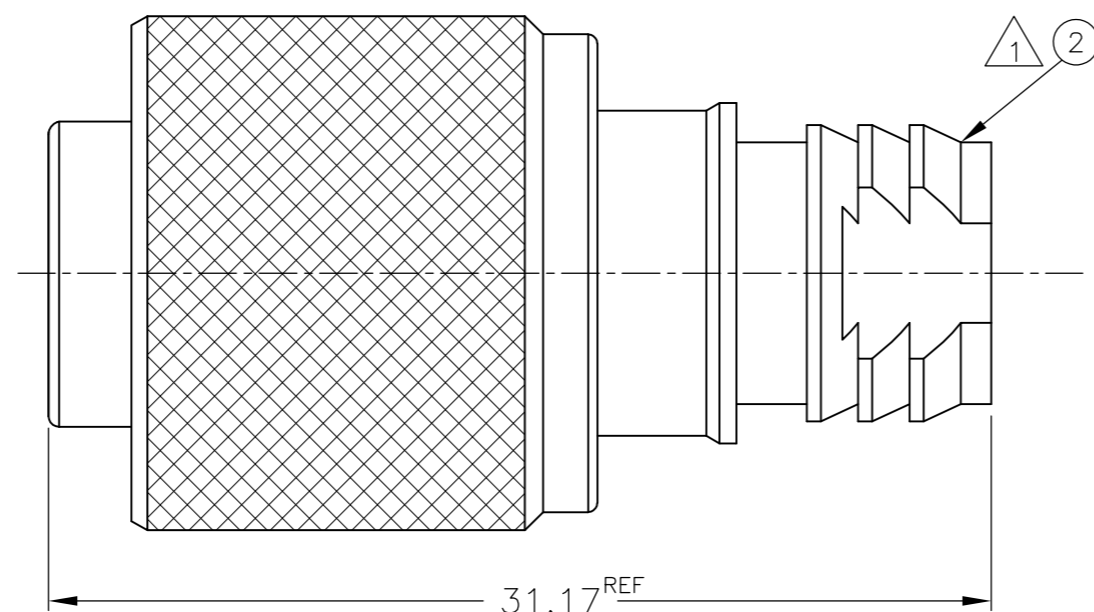


- △ MATERIAL: BRASS
FINISH : BLACK Su-Ni OVER Ni.
- △ KEY POSITION: TYPE N IS NORMAL POSITION.
OPTION KEY IS TYPE A (-2) AND TYPE B (-3).
- △ "# " IS BODY No.

145°	TYPE N	1-2201481-1	△
270°	TYPE B	2174211-3	
215°	TYPE A	2174211-2	
145°	TYPE N	2174211-1	
△DIM L	DESCRIPTION	PART NO.	



REFERENCE SCALE 2:1
2174211-*



AS SHOWN 1-2174211-1

QTY	REQ.	PER	ASSY	DESCRIPTION	ITEM NO.
1	-	-	-	19P PLUG ADAPTOR SHORT WITH O-RING	②
-	1	1	1	19P PLUG ADAPTOR WITH O-RING	②
-	1	-	-	19P BAYONET PLUG PIN SOCKET/SOLDER CUP CONT ASSY TYPE B	①
-	-	1	-	19P BAYONET PLUG PIN SOCKET/SOLDER CUP CONT ASSY TYPE A	①
1	-	-	1	19P BAYONET PLUG PIN SOCKET/SOLDER CUP CONT ASSY TYPE N	①
1-#-1	-3	-2	-1		

REVISION OF EACH ASSY NO. (WHEN BLANK, USE DRAWING REVISION)

THIS DRAWING IS A CONTROLLED DOCUMENT.		DWN	03FEB2012		TE Connectivity		
DIMENSIONS: mm		T.SUGIYAMA			NAME		
TOLERANCES UNLESS OTHERWISE SPECIFIED: ±0.1		T.TONOBÉ	03FEB2012		NMSMC 19P BAYONET PLUG PIN SOCKET / SOLDER CUP CONNECTOR / KIT		
0-PLG ± 1-PLG ± 2-PLG ± 3-PLG ± 4-PLG ± ANGLES ± FINISH		T.SUGIYAMA	03FEB2012		SIZE	CAGE CODE	DRAWING NO
MATERIAL		PRODUCT SPEC	108-78938	A2	00779	C=2174211	
		APPLICATION SPEC	114-5503	SCALE	4:1	SHEET	1 OF 1
		WEIGHT	24.056g	CUSTOMER DRAWING		REV	C