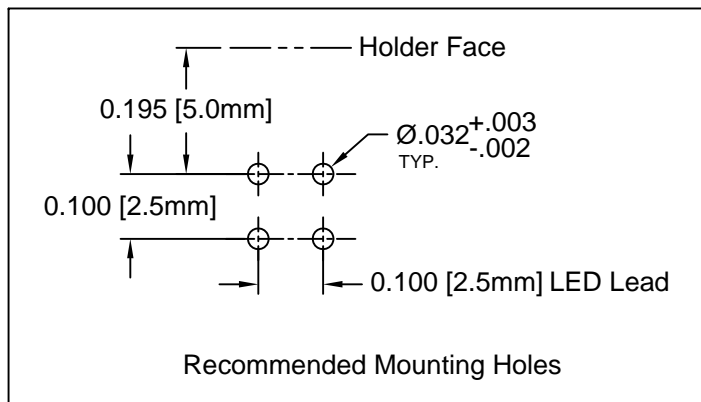
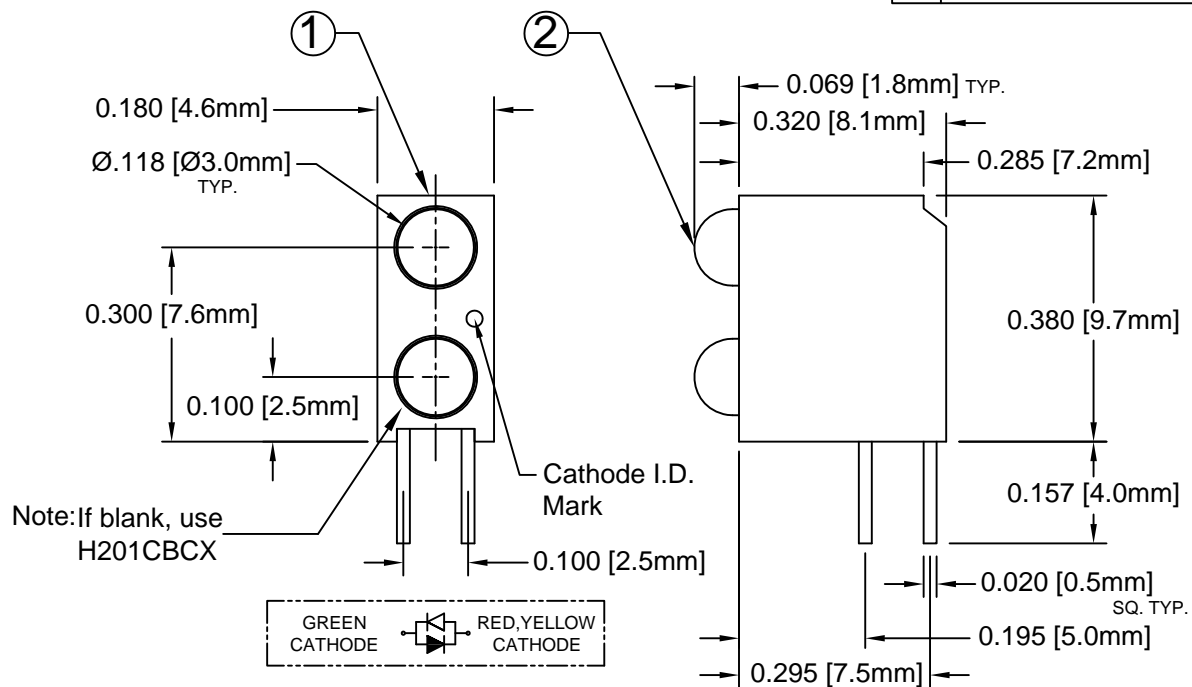


ITEM	Q'TY	PART NUMBER	PART DESCRIPTION
1	1	H-201C	T-1 (3mm) Bi-Level LED Holder, 90° Mount
2	2	3BCXX	T-1 (3mm) N-Flange Bi-Color LED, See Page 2

REV.	DESCRIPTION	DATE	APPROVED
A	Engineering Update w/o Changes	03/05/04	M. C.
B	Added Note for Blank LED	02/26/08	M. C.
C	Engineering Update w/o Changes	06/21/16	J. C.





## ABSOLUTE MAXIMUM RATINGS (Ta=25° C)

REVERSE VOLTAGE	_____	5V
REVERSE CURRENT	_____	100uA
OPERATING TEMPERATURE RANGE	_____	-25° C - 85° C
STORAGE TEMPERATURE	_____	-30° C - 100° C
LEAD SOLDERING TEMPERATURE(1/16" FROM BODY)	_____	260° C FOR 5 SECONDS

STANDARD TOLERANCE (UNLESS OTHERWISE SPECIFIED)		BIVAR®	
DECIMALS	ANGULAR	4 THOMAS, IRVINE, CA. 92618 TEL: (949) 951-8808 FAX: (949) 951-3974	
.X ± .1	X° ± 1°	<b>TITLE:</b> T-1 (3MM) BI-COLOR 90° BI-LEVEL LED ASSY <b>PART NO:</b> H201CBCXX <b>REVISION:</b> C <b>CAGE CODE :</b> 32559 <b>SHEET #</b> 1 <b>OF</b> 2 CAD GENERATED DOCUMENT. DO NOT MEASURE DRAWING.	
.XX ± .02			
.XXX ± .010			
DESIGNED: <b>T. Yin</b>	DATE: <b>03/05/04</b>		
CHECKED: <b>D. Green</b>	DATE: <b>03/05/04</b>		

REV.	DESCRIPTION	DATE	APPROVED
	SEE SHEET #1		

LED Assy No.	Peak Wave Length $\lambda_p$ (nm)	Emitted Color	Lens Appearance	Absolute Max. Rating	Electro-Optical Data @ 20mA			Viewing Angle $2\theta_{1/2}$ (Deg)	LED P/N
					Vf (V)		Iv (mcd)		
					If (mA)	TYP	MAX		
H201CBC	635	HE RED	WHITE DIFFUSED	30	2.0	2.6	30	45	3BC
	568	GREEN		30	2.2	2.6	30		
H201CBC-Y/G	585	YELLOW	WHITE DIFFUSED	30	2.1	2.6	15	45	3BC-Y/G
	568	GREEN		30	2.2	2.6	30		

STANDARD TOLERANCE ( UNLESS OTHERWISE SPECIFIED ) $\pm 10\%$ ALL VALUES    ANGULAR		 4 THOMAS, IRVINE, CA. 92618 TEL: (949) 951-8808    FAX: (949) 951-3974	
		 <b>TITLE:</b> T-1 (3MM) BI-COLOR 90° BI-LEVEL LED ASSY	
DESIGNED: <b>S. Irving</b>	DATE: <b>03/05/04</b>	<b>PART NO:</b> H201CBCXX	REVISION: <b>C</b>
CHECKED: <b>M. Chen</b>	DATE: <b>03/05/04</b>	<b>CAGE CODE :</b> 32559	<b>SHEET # 2 OF 2</b>
CAD GENERATED DOCUMENT. DO NOT MEASURE DRAWING.			