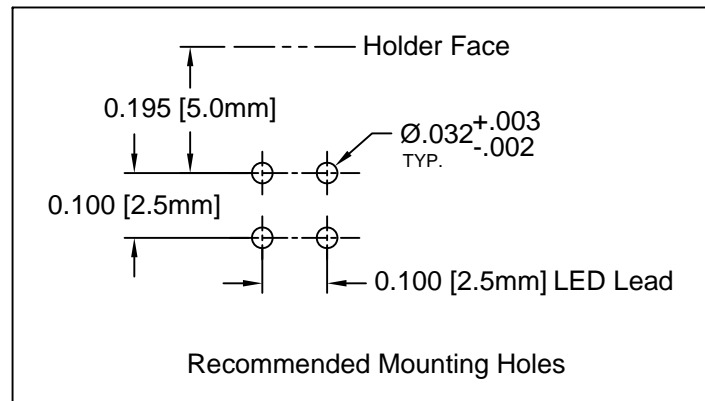
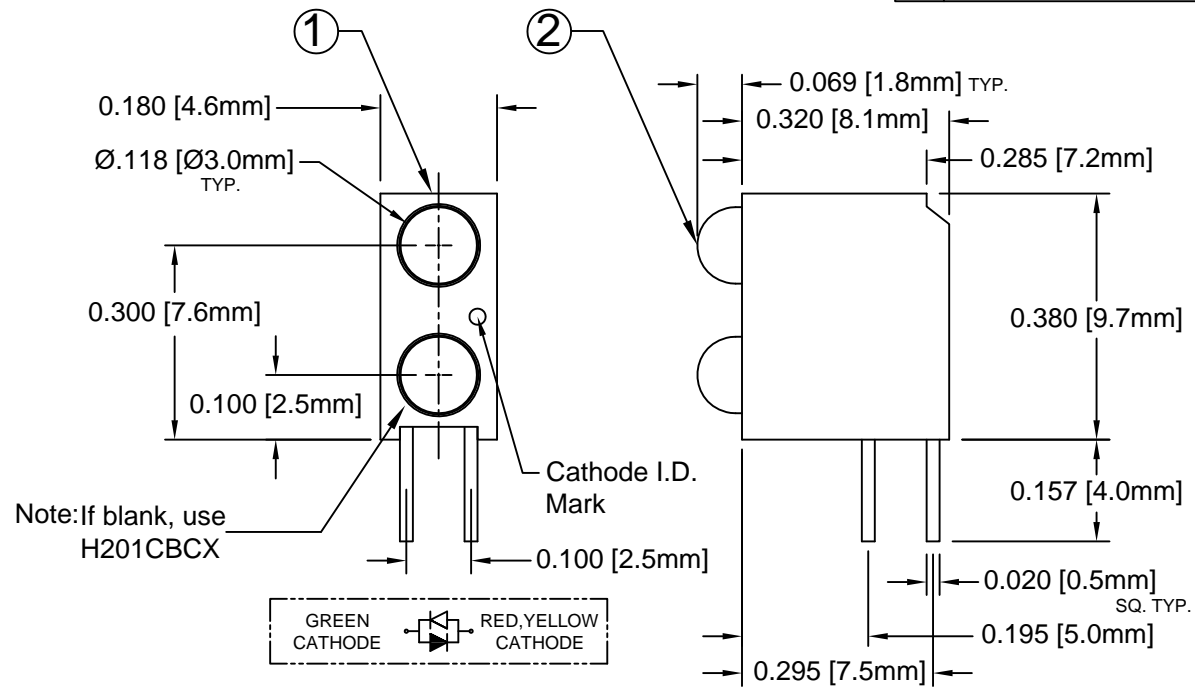


ITEM	Q'TY	PART NUMBER	PART DESCRIPTION
1	1	H-201C	T-1 (3mm) Bi-Level LED Holder, 90° Mount
2	2	3BCXX	T-1 (3mm) N-Flange Bi-Color LED, See Page 2

REV.	DESCRIPTION	DATE	APPROVED
A	Engineering Update w/o Changes	03/05/04	M. C.
B	Added Note for Blank LED	02/26/08	M. C.
C	Engineering Update w/o Changes	06/21/16	J. C.




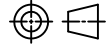
ABSOLUTE MAXIMUM RATINGS (Ta=25° C)

REVERSE VOLTAGE	_____	5V
REVERSE CURRENT	_____	100uA
OPERATING TEMPERATURE RANGE	_____	-25° C - 85° C
STORAGE TEMPERATURE	_____	-30° C - 100° C
LEAD SOLDERING TEMPERATURE (1/16" FROM BODY)	_____	260° C FOR 5 SECONDS

STANDARD TOLERANCE (UNLESS OTHERWISE SPECIFIED)		BIVAR®	
DECIMALS	ANGULAR	4 THOMAS, IRVINE, CA. 92618 TEL: (949) 951-8808 FAX: (949) 951-3974	
.X ± .1	X° ± 1°	TITLE: T-1 (3MM) BI-COLOR 90° BI-LEVEL LED ASSY PART NO: H201CBCXX REVISION: C CAGE CODE : 32559 SHEET # 1 OF 2 <small>CAD GENERATED DOCUMENT. DO NOT MEASURE DRAWING.</small>	
.XX ± .02			
.XXX ± .010			
DESIGNED: T. Yin	DATE: 03/05/04		
CHECKED: D. Green	DATE: 03/05/04		

REV.	DESCRIPTION	DATE	APPROVED
	SEE SHEET #1		

LED Assy No.	Peak Wave Length λ_p (nm)	Emitted Color	Lens Appearance	Absolute Max. Rating	Electro-Optical Data @ 20mA			Viewing Angle $2\theta_{1/2}$ (Deg)	LED P/N
					Vf (V)		Iv (mcd)		
					If (mA)	TYP	MAX		
H201CBC	635	HE RED	WHITE DIFFUSED	30	2.0	2.6	30	45	3BC
	568	GREEN		30	2.2	2.6	30		
H201CBC-Y/G	585	YELLOW	WHITE DIFFUSED	30	2.1	2.6	15	45	3BC-Y/G
	568	GREEN		30	2.2	2.6	30		

STANDARD TOLERANCE (UNLESS OTHERWISE SPECIFIED) $\pm 10\%$ ALL VALUES ANGULAR		 4 THOMAS, IRVINE, CA. 92618 TEL: (949) 951-8808 FAX: (949) 951-3974	
		 TITLE: T-1 (3MM) BI-COLOR 90° BI-LEVEL LED ASSY	
DESIGNED: S. Irving	DATE: 03/05/04	PART NO: H201CBCXX	REVISION: C
CHECKED: M. Chen	DATE: 03/05/04	CAGE CODE : 32559	SHEET # 2 OF 2
CAD GENERATED DOCUMENT. DO NOT MEASURE DRAWING.			