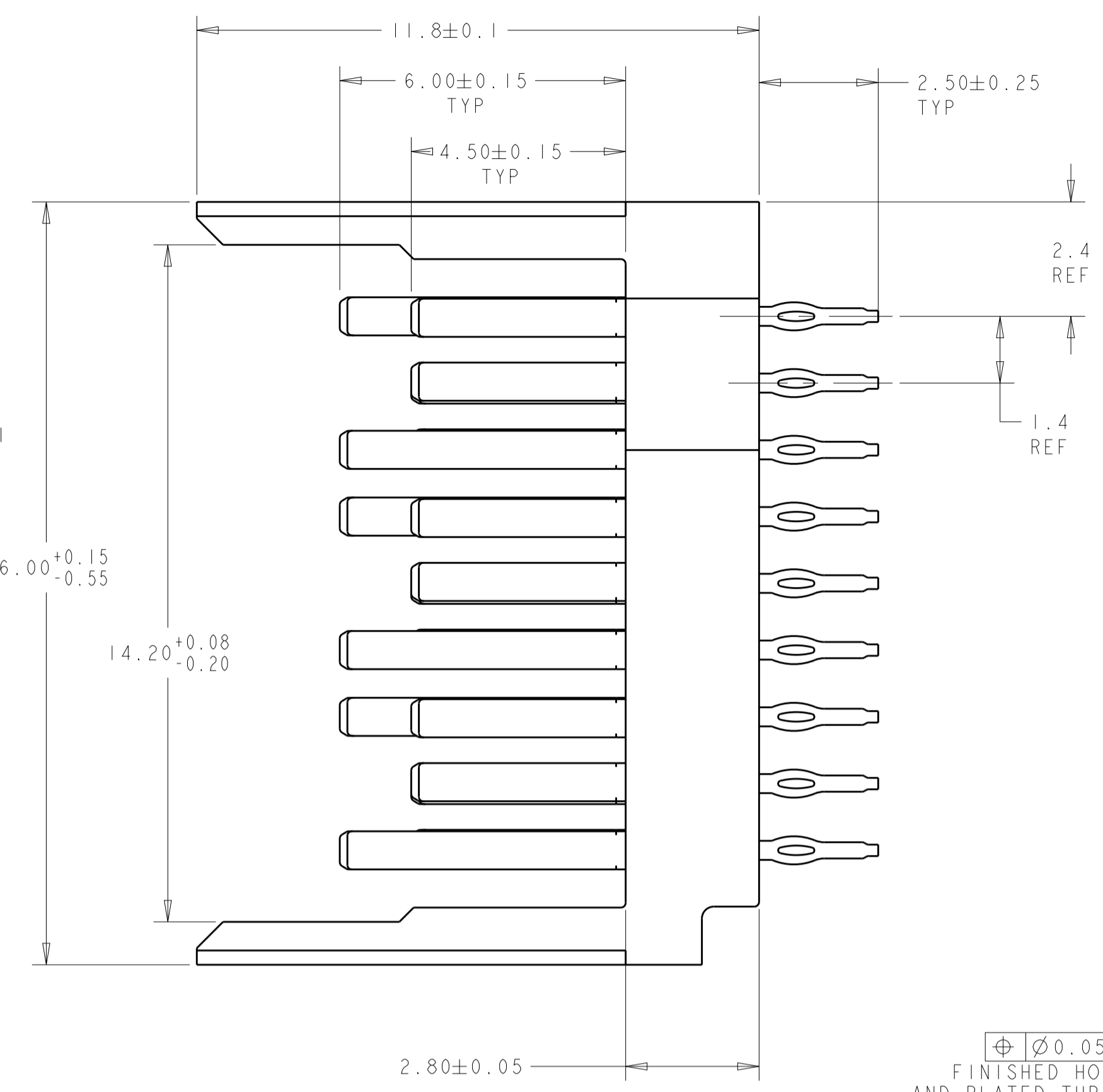
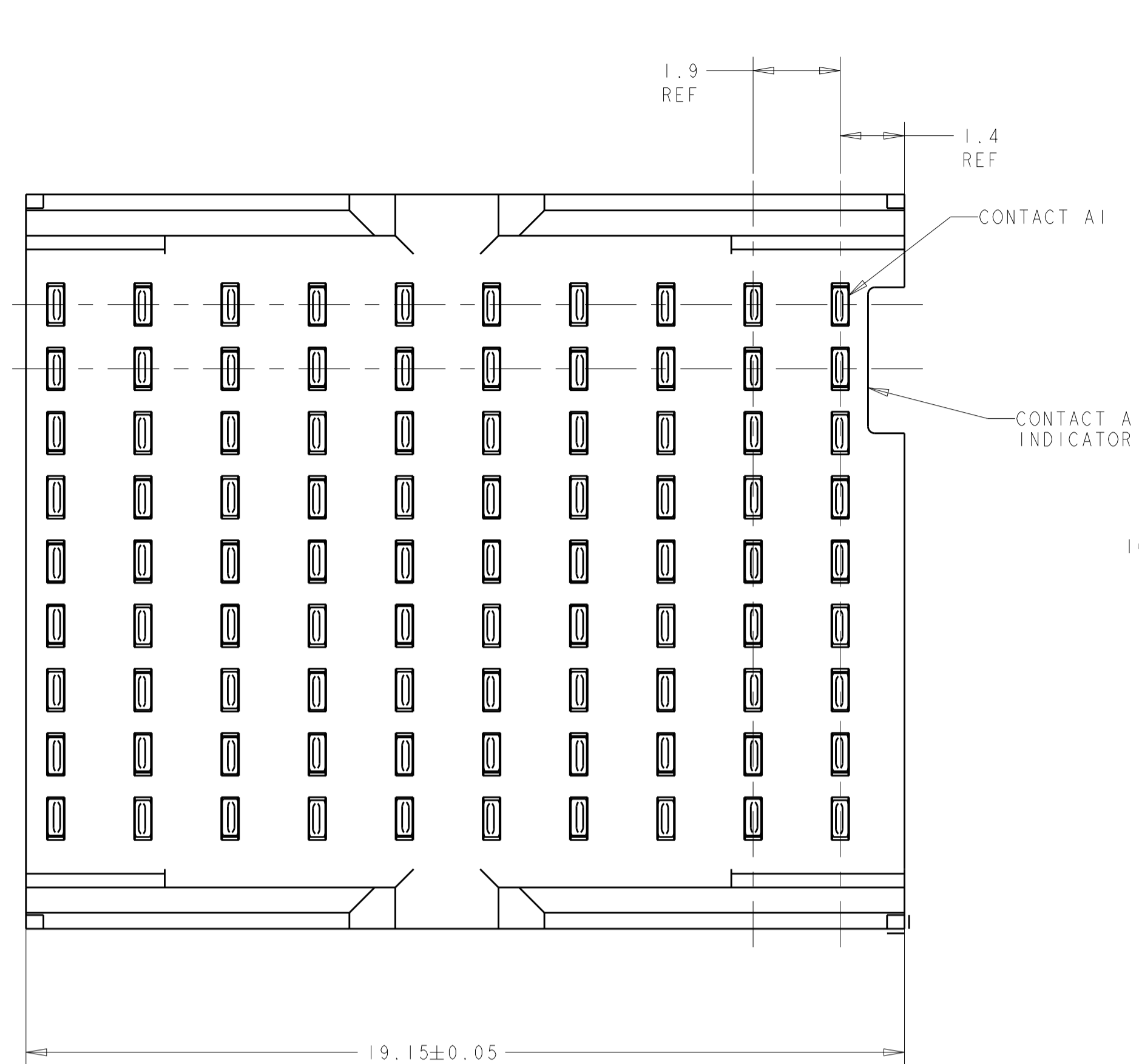
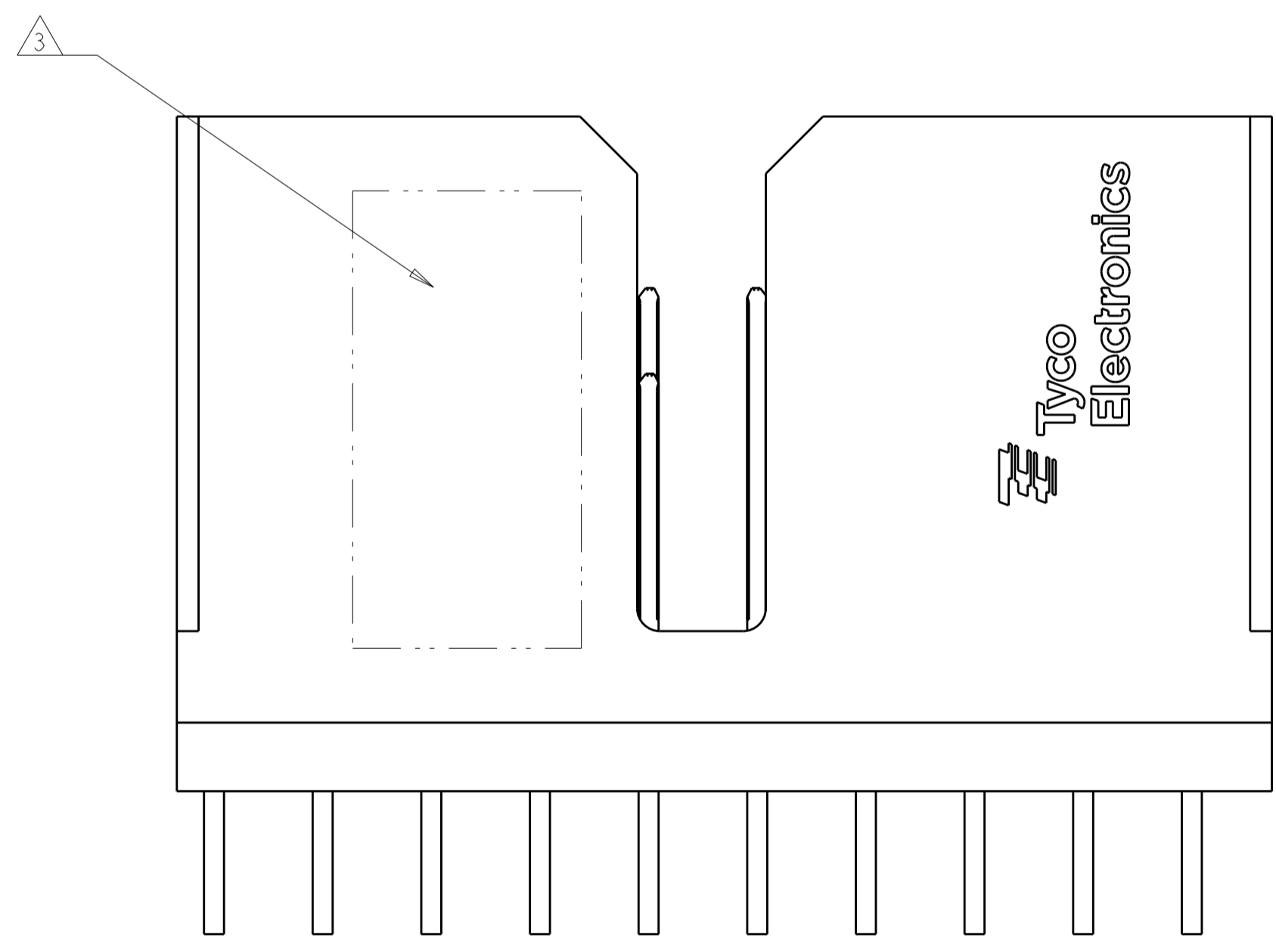


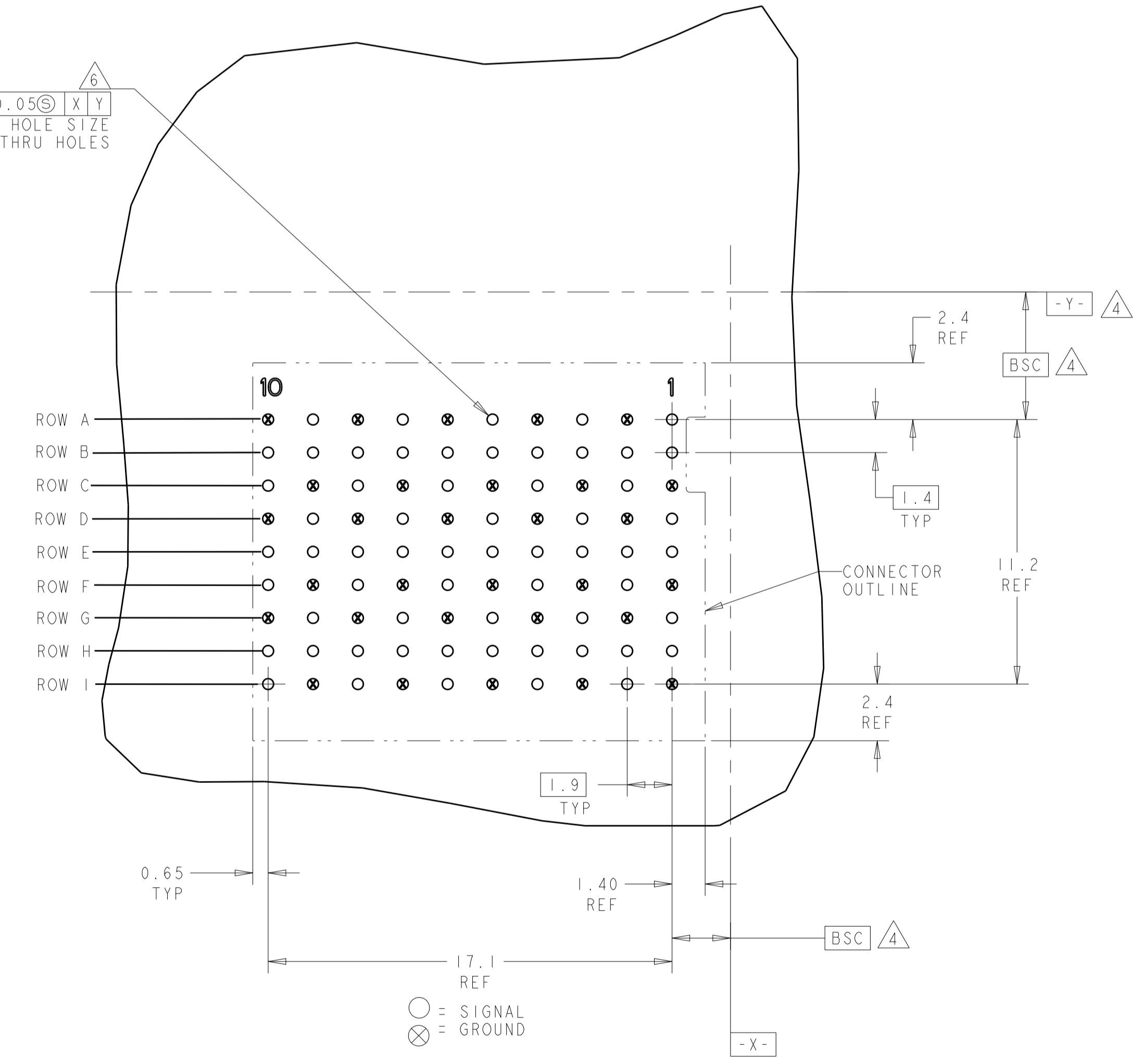
LOC		DIST		REVISIONS			
P	LTN	DESCRIPTION	DATE	DWN	APVD		
B		REVISED PER ECO-13-002771	20MAR2013	KH	RP		



- 1 MATERIAL:  
CONTACT - PHOS BRONZE  
HOUSING - LCP, UL 94V-0, COLOR - BLACK
- 2 FINISH:  
CONFORMS TO THE REQUIREMENTS OF  
TE PRODUCT SPECIFICATION 108-2303-1; BASED  
ON TELECORDIA GR-1217-CORE FOR SYSTEM  
QUALITY LEVEL III, APPLICATIONS IN  
CONTROLLED ENVIRONMENTS (CENTRAL OFFICE).  
COMPLIANT PIN AREA- 0.5µm MIN MATTE TIN OVER 1.27µm MIN NICKEL.
- 3 CONNECTOR MARKED WITH PART NUMBER, DATE CODE,  
85 OHM, AND STANDARD IN APPROXIMATE AREA SHOWN.
- 4 DATUMS AND BASIC DIMENSIONS ESTABLISHED BY  
CUSTOMER.
- 5 CONTACT AREA LUBRICATED WITH BELLCORE  
APPROVED LUBRICANT, TECHNICAL REFERENCE  
GR-1217-CORE, ISSUE 1, NOVEMBER 1995.
- 6 REFERENCE APPLICATION SPEC FOR RECOMMENDED PLATED THRU HOLE  
DIAMETER AND PLATING THICKNESS.
- 7 REFERENCE APPLICATION SPEC FOR RECOMMENDED PLATED THRU  
HOLE DIAMETER AND PLATING THICKNESS.



6  $\varnothing 0.05 \text{ (S)} \times Y$   
FINISHED HOLE SIZE  
AND PLATED THRU HOLES



RECOMMENDED PC BOARD  
LAYOUT BACKPLANE,  
COMPONENT SIDE SHOWN  
SCALE 6:1

1934977-1  
PART NUMBER

THIS DRAWING IS A CONTROLLED DOCUMENT.		DWN	J. K. SHOBER	02JUL2008
DIMENSIONS:		CHK	C. BRITTER	02JUL2008
TOLERANCES UNLESS OTHERWISE SPECIFIED:		APVD	C. BRITTER	02JUL2008
mm	0 PLC ±	NAME		
	1 PLC ±	PRODUCT SPEC		
	2 PLC ±	108-2303-1		
	3 PLC ±	APPLICATION SPEC		
	4 PLC ±	114-13243		
	ANGLES ±	SIZE	CAGE CODE	DRAWING NO
MATERIAL	FINISH	WEIGHT	A100779	C=1934977
		CUSTOMER DRAWING	SCALE 10:1	SHEET 1 OF 1

**PRELIMINARY**

TE Connectivity

HEADER ASSEMBLY, OPEN ENDED,  
3 PAIR, 10 COLUMN  
TinMan 85 OHM