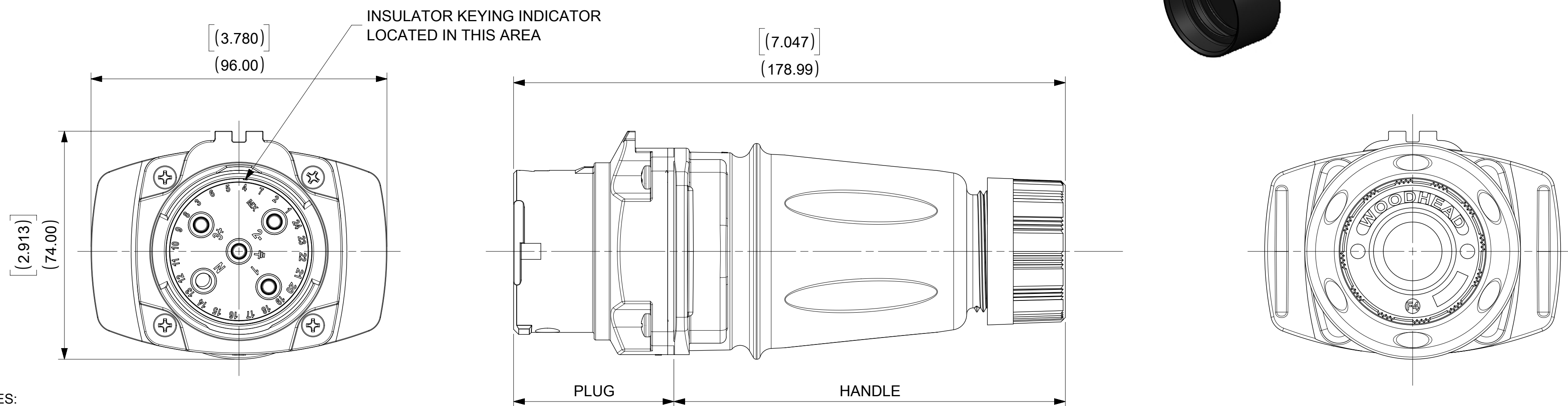


MATERIAL NUMBER	ENG NO.	DESCRIPTION	INSULATOR KEYING POSITION	HORSEPOWER RATING
1122191015	ARC30MHDA01	ARC 30A MHD 125VAC 1P+N+G	7	1 HP
1122191016	ARC30MHDB02	ARC 30A MHD 250VAC 2P+G		3 HP
1122191017	ARC30MHDB03	ARC 30A MHD 250VAC 3P+G		5 HP
1122191018	ARC30MHDAB04	ARC 30A MHD 125/250VAC 2P+N+G		NA
1122191019	ARC30MHDC02	ARC 30A MHD 208VAC 2P+G	16	NA
1122191020	ARC30MHDC03	ARC 30A MHD 208VAC 3P+G		5 HP
1122191021	ARC30MHDC05	ARC 30A MHD 120/208VAC 3P+N+G		NA
1122191022	ARC30MHDD01	ARC 30A MHD 277VAC 1P+N+G	4	NA
1122191023	ARC30MHDE02	ARC 30A MHD 480VAC 2P+G		NA
1122191024	ARC30MHDE03	ARC 30A MHD 480VAC 3P+G		10 HP
1122191025	ARC30MHDE05	ARC 30A MHD 277/480VAC 3P+N+G		NA
1122191026	ARC30MHDF02	ARC 30A MHD 600VAC 2P+G	14	NA
1122191027	ARC30MHDF03	ARC 30A MHD 600VAC 3P+G		NA
1122191028	ARC30MHDF05	ARC 30A MHD 347/600VAC 3P+N+G		NA



NOTES:

MATERIALS:
HOUSINGS AND INSULATORS: GLASS FILLED PBT
CONTACTS: COPPER ALLOY WITH A SILVER NICKEL TIP, SILVER PLATED
MOUNTING GASKETS: SILICONE
GROMMET - RUBBER
FRICTION RING - NATURAL POLYETHYLENE
COMPRESSION NUT - BLACK PBT
SELF TAPPING SCREWS - STAINLESS STEEL
PLUG CAP - RUBBER

RATINGS:
CURRENT: 30 AMPS
VOLTAGE AND HORSEPOWER: SEE TABLE
OPERATING TEMPERATURE: -25°C(-13°F) TO 60°C(140°F)
ENVIRONMENTAL: TYPE 4X, IP69K
WIRING CAPACITY: 12 AWG MIN. TO 8 AWG MAX.
TORQUE TERMINAL SCREWS TO 1.7N-M (15 in/lbs)
AGENCY: UL LISITING PENDING
SWITCH RATED RECEPTACLE/CONNECTOR
BRANCH CIRCUIT DISCONNECT SWITCH
MOTOR CIRCUIT DISCONNECT SWITCH IF HP RATED

PLUG, HANDLE AND PLUG CAP(NOT SHOWN IN ALL VIEWS) ARE PACKAGED AS SUB-ASSEMBLIES AND WILL REQUIRE END USER ASSEMBLY.

THIS DRAWING REPLACES SD-112219-102

ARC30MHDE03 SHOWN

GROMMET P/N	GROMMET COLOR	CABLE DIAMETER RANGE
1301800411	GRAY	12.7mm - 15.9mm (0.500" - 0.625")
1301800283	ORANGE	15.9mm - 19.0mm (0.625" - 0.750")
1301800413	BLACK	19.0mm - 22.2mm (0.750" - 0.875")

SYMBOLS ▽ = 0 ▽ = 0 ▽ = 0 S = 0 ▽ = 0 ▽ = 0 ▽ = 0 □ = 0 ■ = 0 ▽ = 0	THIS DRAWING CONTAINS INFORMATION THAT IS PROPRIETARY TO MOLEX ELECTRONIC TECHNOLOGIES, LLC AND SHOULD NOT BE USED WITHOUT WRITTEN PERMISSION DIMENSION UNITS: INCH SCALE: 1:1	CURRENT REV DESC: ADDED 10HP,NEW NOTES EC NO: 604773 DRWN: MJANTELEZIO 2018/09/20 CHK'D: JFMURPHY 2018/11/05 APPR: JFMURPHY 2018/11/05	 ARC 30A MHD 480VAC 3P+G PRODUCT CUSTOMER DRAWING
	GENERAL TOLERANCES (UNLESS SPECIFIED) MM INCH 4 PLACES ± ± 3 PLACES ± ± 2 PLACES ± ± 1 PLACE ± ± 0 PLACES ± ± ANGULAR TOL ± °	INITIAL REVISION: DRWN: DRWN BY XXXX/XX/XX APPR: APPR BY XXXX/XX/XX	
	DRAFT WHERE APPLICABLE MUST REMAIN WITHIN DIMENSIONS THIRD ANGLE PROJECTION DRAWING: C-SIZE SERIES: 112219	MATERIAL NUMBER: GENERAL MARKET CUSTOMER: GENERAL MARKET SHEET NUMBER: 1 OF 1	

DOCUMENT STATUS	P1	RELEASE DATE	2018/11/05 17:31:33
-----------------	----	--------------	---------------------