

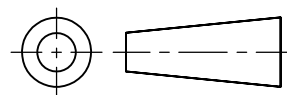
DO NOT SCALE

DIMENSIONS IN mm

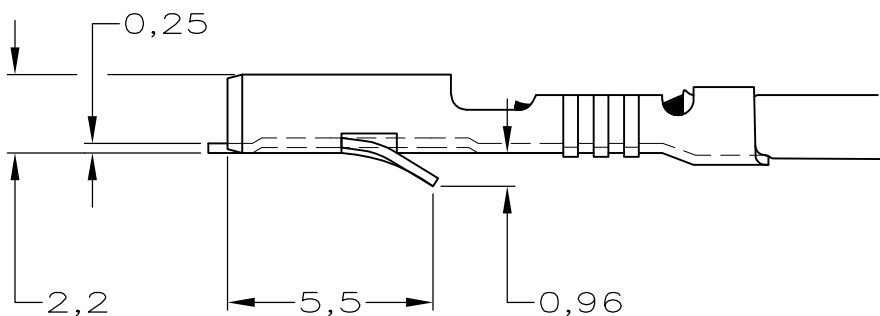
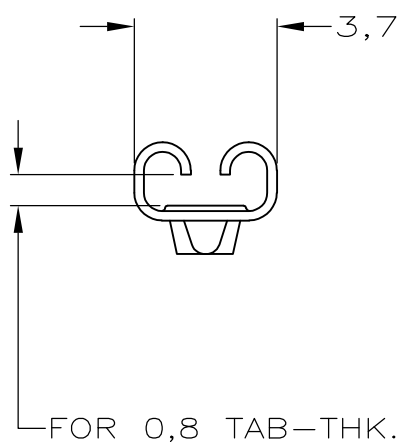
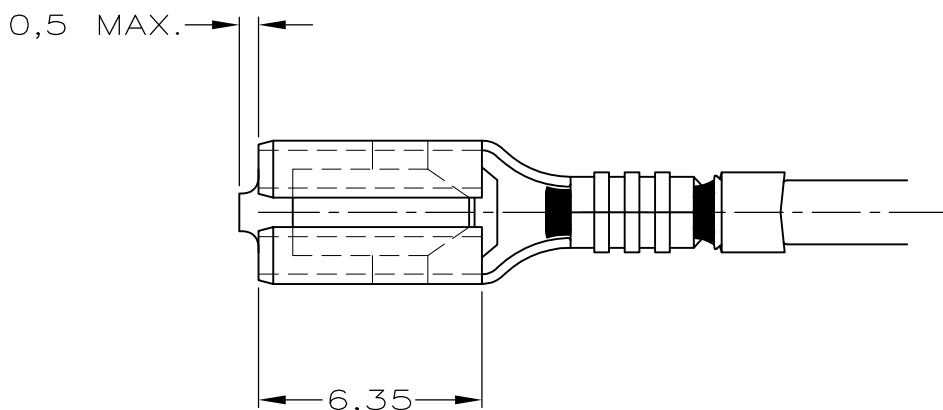
METRIC

THIRD ANGLE

PROJECTION



WIRE RANGE :
 0,3-0,6 mm² 22-20AWG
 INSULATION RANGE :
 1,3-2,0 DIA .050-.080 DIA



FOR 0,8 TAB-THK.

NOTE:

△ OBSOLETE PARTS: OBSOLETE CIS STREAMLINING PER D.RENAUD/D.SINISI

TINPLATED	PH. BRONZE		160173-7
UNPLATED	PH. BRONZE		160173-6
GOLDPLATED	BRASS	△	160173-5
NICKELPLATED	BRASS		160173-4
SILVERPLATED	BRASS	△	160173-3
TINPLATED	BRASS		160173-2
UNPLATED	BRASS		160173-1

FINISH	MATERIAL	PARTNUMBER
--------	----------	------------

—	—	—	—	—
—	—	—	—	—
—	—	—	—	—
—	—	—	—	—
—	—	—	—	—
D1	ECO-10-000443	KK	HMR	18JAN10
D	EH-0065-95	DK	PB	18 JAN 95
LTR.	REVISION RECORD	DR.	CHK.	DATE

CUSTOMER DRAWING FOR REFERENCE ONLY
 WILL NOT BE UPDATED

© COPYRIGHT 19 — BY AMP HOLLAND B.V.
 ALL INTERNATIONAL RIGHTS RESERVED. AMP PRODUCTS MAY BE
 COVERED BY U.S. AND FOREIGN AND/OR PATENTS PENDING.
 THIS DRAWING IS UNPUBLISHED
 RELEASED FOR PUBLICATION _____, 19 _____

AMP | AMP HOLLAND B.V.
 's-Hertogenbosch,
 The Netherlands.

NAME
 .110 SRS FASTIN-ON
 RECEPTACLE

DR.: D.KESSLER	CHK.: P.BEIJNON	APP.: L.v.SOEST	DWG.No.	REV.LTR.	SHEET
DATE: 18 JAN 95	DATE: -	DATE: -	C- 160173	D1	1 OF 1