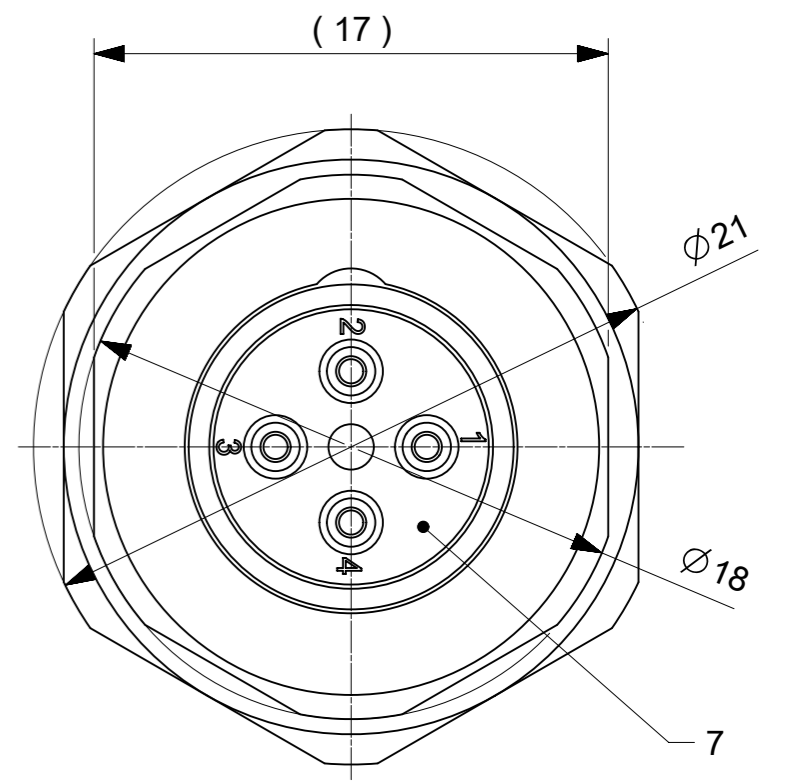
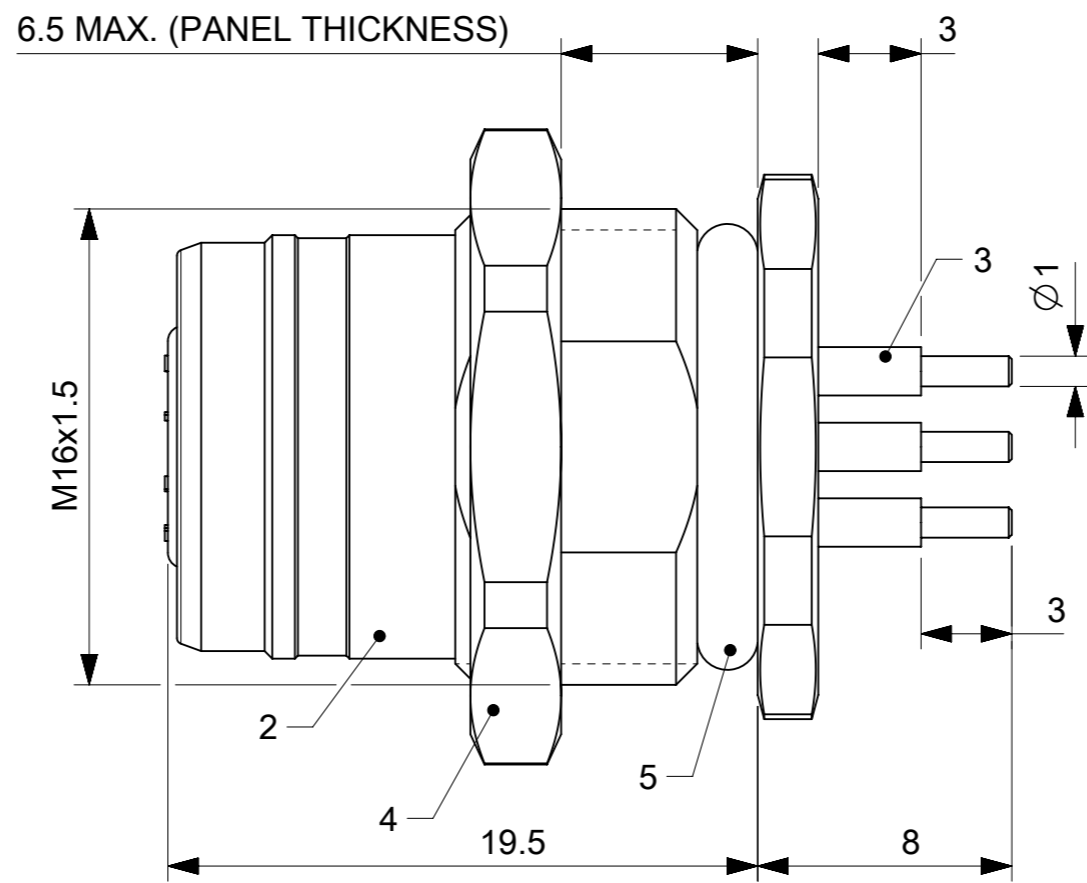
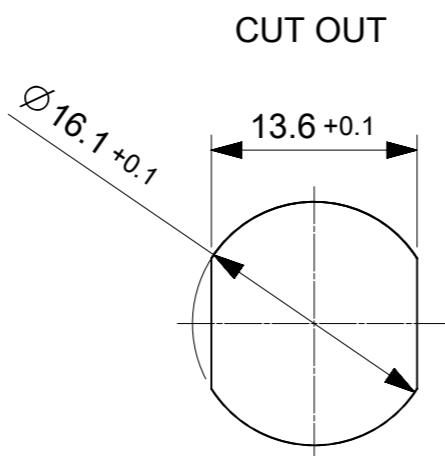


FRONT VIEW



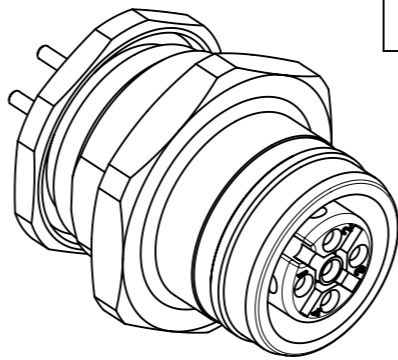
BACK VIEW



CUT OUT

- NOTES:
- MATES WITH M12 MALE CORD ASSEMBLY.
 - ELECTRICAL DATA:
VOLTAGE RATING: 250V
AMPERAGE RATING: 4A
INSULATION RESISTANCE: $10^8 \Omega$ MIN.
MATING CYCLES: MAX. 100
 - ENVIRONMENTAL:
PROTECTION: IP67
OPERATING TEMPERATURE: -25° C TO +85° C

ITEM NO.	QTY	DESCRIPTION	MATERIAL	FINISH/COLOR
1	1	M12 INSERT FEMALE	TPU	BLACK
2	1	M12 REC SHELL FEMALE	BRASS	Ni-PLATED
3	4	M12 FEMALE CONTACT	BRASS	GOLD OVER Ni-PLATED
4	1	COUPLING NUT M16	BRASS	Ni-PLATED
5	1	O-RING	NBR	BLACK
6	1	GASKET	FPM	RED
7	-	POTTING MATERIAL	EPOXY	BLACK



SCALE 2:1

TABLE 1

MOLEX P/N	ENGINEERING NO			
1200840029	WR4U40000			
DOCUMENT STATUS	P1	RELEASE DATE	2018/09/19	07:57:42

THIS DRAWING CONTAINS INFORMATION THAT IS PROPRIETARY TO MOLEX ELECTRONIC TECHNOLOGIES, LLC AND SHOULD NOT BE USED WITHOUT WRITTEN PERMISSION

SYMBOLS: $\nabla = 0$ DIMENSION UNITS: mm SCALE: 4:1

GENERAL TOLERANCES (UNLESS SPECIFIED):
 ANGULAR TOL $\pm 1.0^\circ$
 4 PLACES \pm
 3 PLACES \pm
 2 PLACES ± 0.05
 1 PLACE ± 0.3
 0 PLACES ± 0.5

DRAFT WHERE APPLICABLE MUST REMAIN WITHIN DIMENSIONS

THIRD ANGLE PROJECTION

CURRENT REV DESC: REDRAWN IN NX

EC NO: 603977
 DRWN: MDHARMANTI 2018/09/03
 CHK'D: RSILLER 2018/09/19
 APPR: RSILLER 2018/09/19

INITIAL REVISION:
 DRWN: MDHARMANTI 2018/09/03
 APPR: RSILLER 2018/09/19

molex

MIC 4P FR ST PCB MOUNT

PRODUCT CUSTOMER DRAWING

DOCUMENT NUMBER: 1200840029
 DOC TYPE: PSD
 DOC PART: 000
 REVISION: A

MATERIAL NUMBER: SEE TABLE 1
 CUSTOMER: GENERAL MARKET
 SHEET NUMBER: 1 OF 1

6

5

4

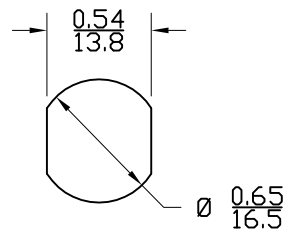
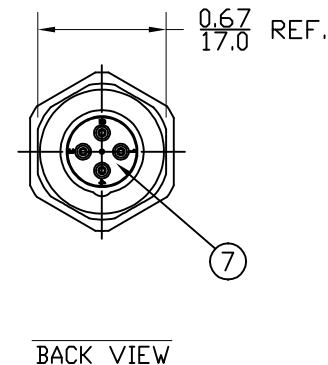
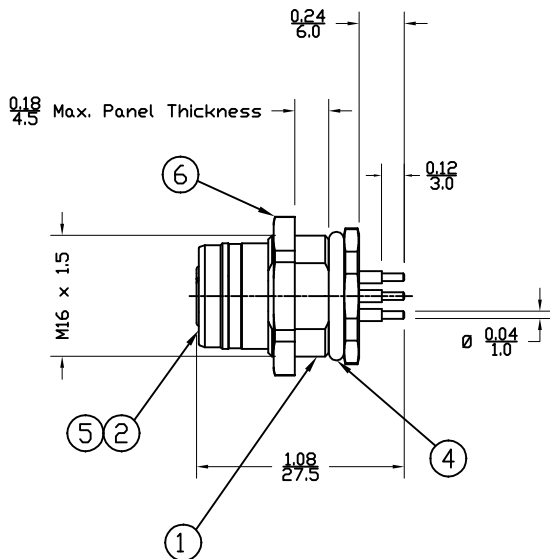
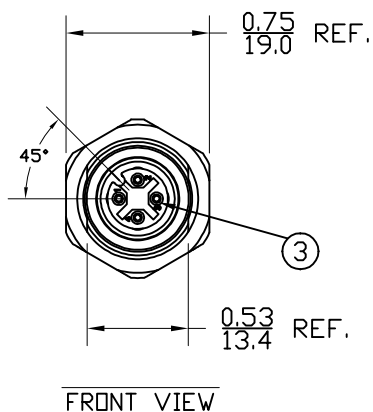
3

2

1

SAP P/N#	ENGINEERING NO.
1200840029	WR4U40000

AUX VIEW
SCALE 3:4



- NOTES:
1. MATERIAL: SEE TABLE
 2. FINISHES: SEE TABLE
 3. MATES WITH: M12 MALE CORD ASSY
 4. ELECTRICAL SPECIFICATIONS:
VOLTAGE RATING: 250V AC/DC
CURRENT RATING: 4 AMPS
 5. ASSEMBLY IS RoHS COMPLIANT

ITEM	QTY.	DESCRIPTION	MATERIAL	FINISH
7	1	POTTING MATERIAL	EPDXY	
6	1	PANEL NUT, M16 X 1.5	CU ALLOY	NICKEL PLATED
5	1	O-RING	VITON	RED
4	1	O-RING	NITRILE	BLACK
3	4	SOCKET CONTACT	CU ALLOY	GOLD PLATED
2	1	INSERT	NYLON	BLACK
1	1	RECEPTACLE SHELL	BRASS	NICKEL PLATED

SD RELEASE EC NO: WEL2010-0046 DRWN: YOU CHKD: BWOODMAN09/08/31 APPR: JFMURPHY 2009/08/31	QUALITY SYMBOLS ▽=0 ∇=0	GENERAL TOLERANCES (UNLESS SPECIFIED)		DIMENSION STYLE INCH/MM		SCALE 1:1	DESIGN UNITS INCH	THIRD ANGLE PROJECTION	
		4 PLACES	±----	±----	DRAWN BY VOU	DATE 2009/08/28	TITLE ULTRA-LOCK RECPT BPM M16 FEMALE 4P M12 A-CODE PCB MOUNT		
		3 PLACES	±----	±0.05	CHECKED BY	DATE			
		2 PLACES	±----	±0.10	APPROVED BY JFMURPHY	DATE 2009/08/28	MATERIAL NO. MOLEX INCORPORATED		
1 PLACE	±----	±0.20	ANGULAR ±1°		DOCUMENT NO. SD-120084-008		SHEET NO. 1 OF 1		
DRAFT WHERE APPLICABLE MUST REMAIN WITHIN DIMENSIONS			SEE CHART		THIS DRAWING CONTAINS INFORMATION THAT IS PROPRIETARY TO MOLEX INCORPORATED AND SHOULD NOT BE USED WITHOUT WRITTEN PERMISSION				
			SIZE A						

6

5

4

3

2

1