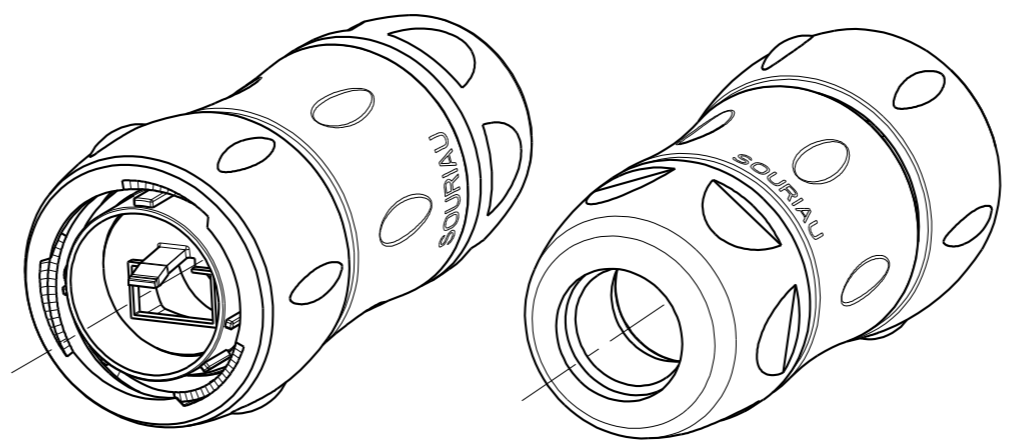
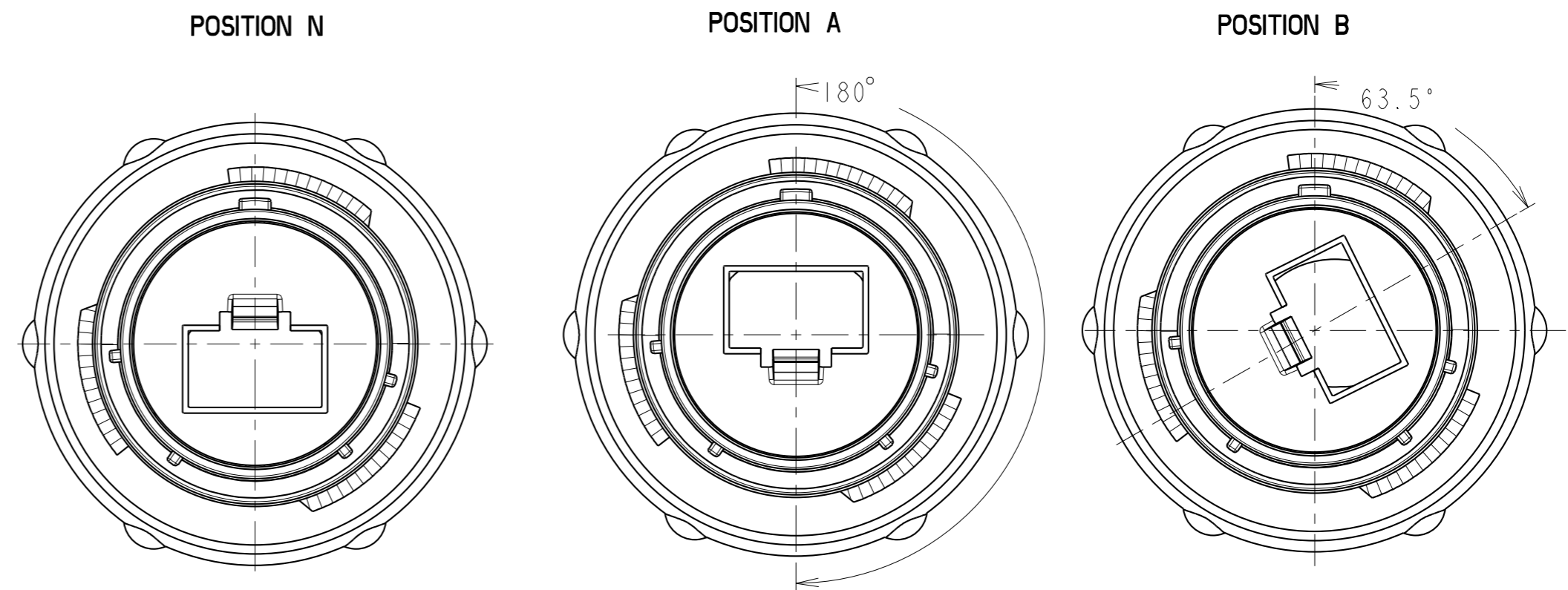


**POLARIZATION  
ALTERNATIVE KEY WAY POSITION**



**MATERIAL:**

Shell : PA 66 UL94 V0  
 Coupling nut : PA 66 UL94 V0  
 Insert : PA 66 UL94 V0  
 Coupling spring : Stainless steel  
 O'seal : Nitril  
 Backshell : PA 66 UL94 V0

**PERFORMANCE CHARACTERISTICS:**

Operating temperature : -40°C up to 85°C  
 Corrosion salt spray : 500 hours salt spray  
 Durability : 250 matings and unmatings  
 Sealing : IP67  
 RJ45 component : Cat 5 E

**NOTES :**

**UTS6 JC 18 RJ \* 25**

Plug UTS  
 Backshell type JC  
 Shell size  
 Insert arrangement  
 Insert polarisation :  
 - N : standard version  
 - A, B : Different orientations  
 Specification 25  
 Backshell Ø capacity 7 / 16 mm

b	09/12/08	Add specification n°25	--
ISS	DATE	Latest modification - by:	RAGAINÉ M. MOD N°
Designed by:	<b>RAGAINÉ M.</b>	Date: 16/02/07	CUSTOMER DRAWING
TITLE	CONNECTEUR UTS RJ 45 CAT5 EQUIPEMENT		
Scale	1/1	General linear Tolerances: ±0.2	NPRDS / PROJECT <b>UTS1</b>
		WWW.SOURIAU.COM	This document is the property of SOURIAU. It must not be reproduced or communicated without permission.
FORMAT	A2	SOURIAU DRG N° UTS6JCI8RJ-X-C	SHEET

NOT EXPORT CONTROLLED