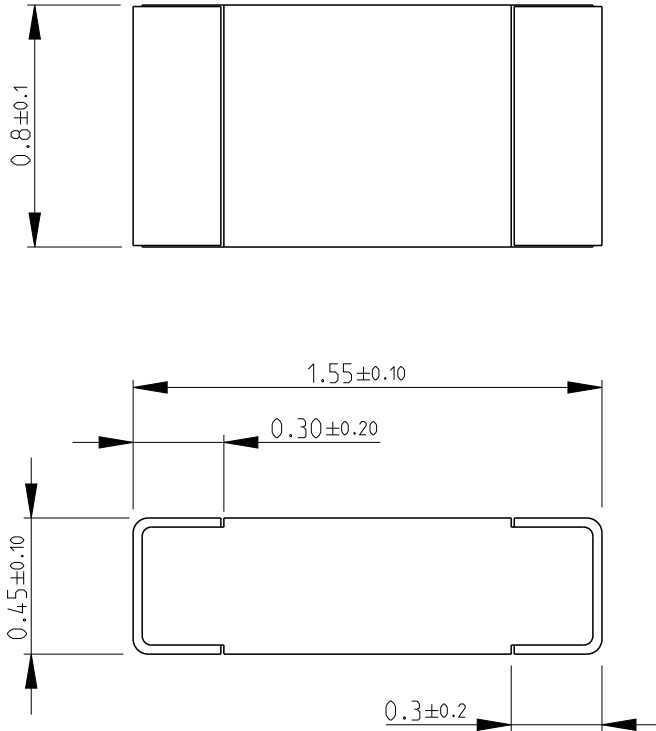
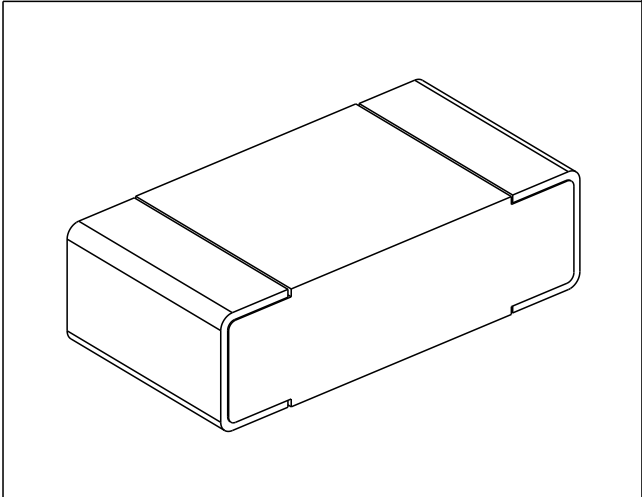


| REVISIONS |     |               |           |       |
|-----------|-----|---------------|-----------|-------|
| P         | LTR | DESCRIPTION   | DATE      | APVD  |
|           | BA1 | ECR-14-009193 | 19JUN2014 | KR TN |

FOR FURTHER INFORMATION SEE DATA SHEET FOR CPF SERIES-THIN FILM PRECISION CHIP RESISTORS



RoHS Compliant



2008


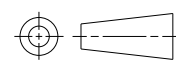
RELEASED FOR PUBLICATION

ALL RIGHTS RESERVED.

THIS DRAWING IS UNPUBLISHED.

BY -

© COPYRIGHT 2008

|  |   |                  |  |                                    |            |               |
|--|---|------------------|--|------------------------------------|------------|---------------|
| DIMENSIONS:<br>mm                      | DWN<br>SUBHASH.M  | 29-Sep-08        | MATERIAL   | -                                  | FINISH     | -             |
|  | CHK<br>PRAKASH.S  | 29-Sep-08        |  TE Connectivity |                                    |            |               |
| TOLERANCES UNLESS OTHERWISE SPECIFIED: | APVD<br>STEPHEN.P   | 29-Sep-08        |  |                                    |            |               |
|  | 0 PLC ±0.2  | PRODUCT SPEC     | NAME   | THIN FILM PRECISION CHIP RESISTORS |            |               |
| 1 PLC ±0.1                             | -   | APPLICATION SPEC | SIZE   | CAGE CODE                          | DRAWING NO | RESTRICTED TO |
| 2 PLC ±                                | -   | ANGLE            | A 4  | 00779                              | C-1879339  | -             |
| 3 PLC ±                                | -   | WEIGHT           | -  | -                                  | -          | -             |
| 4 PLC ±                                | -   | Customer Drawing | SCALE  | 40:1                               | SHEET      | 1 OF 1        |
| ANGLES 5°                              |  |                  |  |                                    | REV        | BA1           |