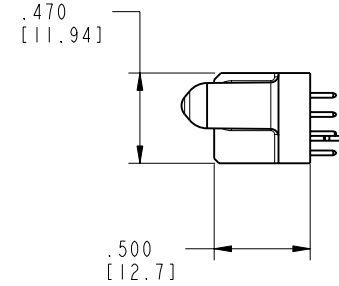
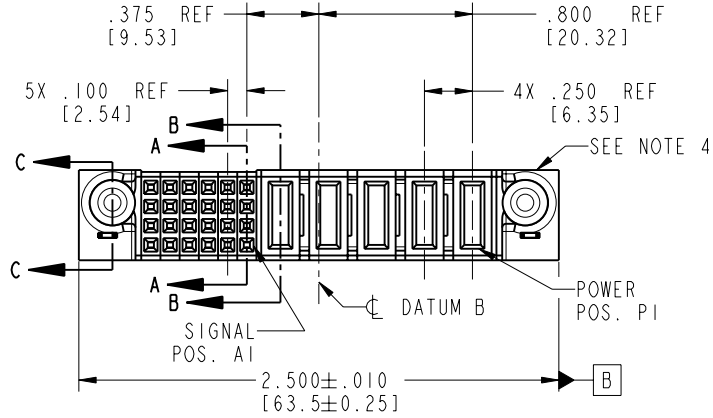


Tous droits strictement réservés. Reproduction ou communication o des liers interdite sous quelque forme que ce soit sans autorisation écrite du propriétaire. Propriété de c FCI. Droits de reproduction FCI.

All rights strictly reserved. Reproduction or issue to third parties in any form whenever is not permitted without written authority from the proprietor. Property of FCI. Copyright FCI.

PRODUCT NO.	ROWS	SIGNAL					POWER							
		E2	6	5	4	3	2	1	P5	P4	P3	P2	P1	E1
51752-018-- NOTE: 3	D C B A		E	E	E	E	E	E	PD	PD	PA	PD	PD	



CODE	DIM "M" MATING LENGTH	CONTACT TYPE
E	N/A [N/A]	SIGNAL
PD	.092 [2.34]	POWER
HA	N/A [N/A]	HOLD-DOWN
PA	.042 [1.07]	POWER

mat'l code SEE NOTE 2				tolerances unless otherwise specified		CUSTOMER		 www.fciconnect.com			
ltr	ecn no.	dr	date	linear	.XX ± .01/0.X ± 0.3	COPY					
A	DG06-0065	JMG	02/21/06	angles	.XXX ± .005/0.XXX ± 0.13	projection					
					.XXX ± .0020/0.XXX ± 0.051	INCH/MM					
				dr	JM GUO 02/21/06	scale					
				engr	SLUO 02/21/06	1:1					
				chr	BEER FU 02/21/06						
				appd	JOSEPH HSIA 02/21/06						
sheet index	revision sheet	A	A	A	A			product family	PwrBlade	code	213
		1	2	3	4			size	dwg no	sheet	1 of 4

cage code 22526

Pro/E

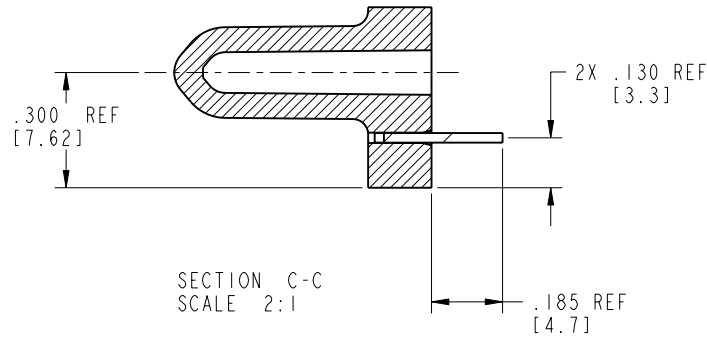
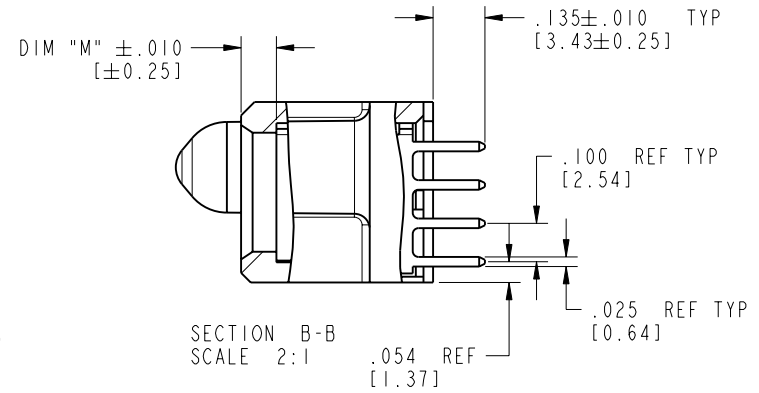
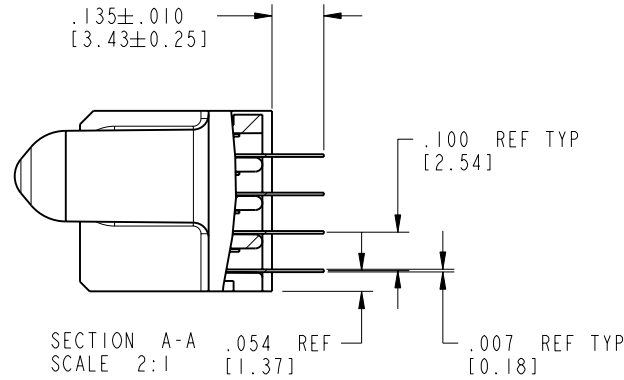
Tous droits strictement réservés. Reproduction ou communication o des liers interdite sous quelque forme que ce soit sans autorisation écrite du propriétaire. Propriete de c FCI. Droits de reproduction FCI.

**A** FCI

All rights strictly reserved. Reproduction or issue to third parties in any form, whatever is not permitted without written authority from the proprietor. Property of FCI. Copyright FCI.

PRODUCT NUMBER

51752-018\_\_  
NOTE: 3



mat'l code		SEE NOTE 2		tolerances unless otherwise specified		CUSTOMER		 www.fciconnect.com	
lfr	ecn no.	dr	date	linear	.XX±.01/0.X±0.3	COPY			
A				projection	.XXX±.005/0.XX±0.13			title	5P + 24S
				angles	.XXX±.0020/0.XXX±0.051			VERTICAL STB RECEPT	
				dr	JM GUO 02/21/06	INCH/MM		product family	PwrBlade
				engr	SLUO 02/21/06	scale		code	213
				chr	BEER FU 02/21/06	1:1		size	dwg no
				appd	JOSEPH HSIA 02/21/06			A	51752-018
sheet index	revision sheet							sheet	2 of 4

coge code 22526

Pro/E

PDM: Rev:A

STATUS: Released

Printed: Dec 20, 2010

Tous droits strictement reserves. Reproduction ou communication o des liers interdite sous quelque forme que ce soit sans autorisation ecrite du proprietaire. Propriete de c FCI. Droits de reproduction FCI.

All rights strictly reserved. Reproduction or issue to third parties in any form whatever is not permitted without written authority from the proprietor. Property of FCI. Copyright FCI.

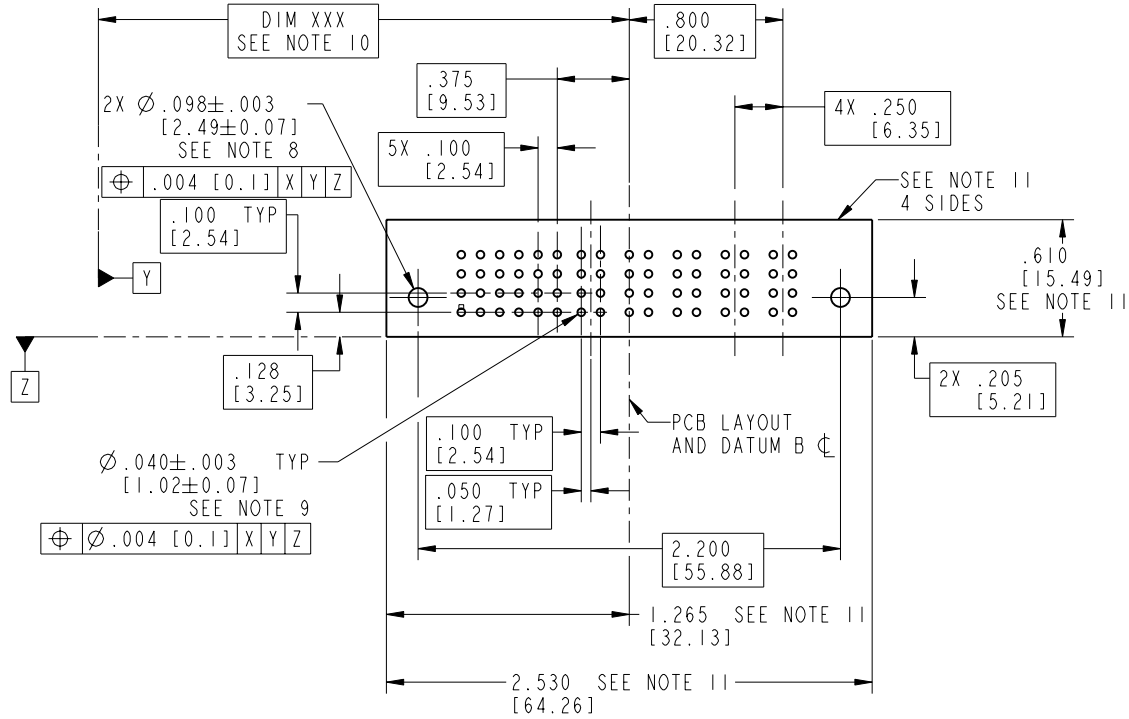
PRODUCT NUMBER

51752-018\_\_  
NOTE: 3

1 | 2

3 |

4



mat'l code				SEE NOTE 2		tolerances unless otherwise specified		CUSTOMER		 www.fciconnect.com	
ltr	ecr no.	dr	date	linear	.XX±.01/0.XX±0.3	projection	COPY		title		
A				angles	.XXX±.005/0.XX±0.13				5P + 24S		
				dr	.XXX±.0020/0.XXX±0.051	INCH/MM			product family		code
				engr	JM GUO 02/21/06	scale	1:1		PwrBlade		213
				chr	SLUO 02/21/06			size		sheet	
				appd	BEER FU 02/21/06			A		3 of 4	
					JOSEPH HSIA 02/21/06			51752-018			
sheet index	revision sheet										

1 | 2

Pro/E

3 |

cage code 22526

4

Tous droits strictement reserves. Reproduction ou communication o des liers interdite sous quelque forme que ce soit sans autorisation écrite du propriétaire. Propriete de c FCI. Droits de reproduction FCI.

**A**  
**FCI**

All rights strictly reserved. Reproduction or issue to third parties in any form, whenever is not permitted without written authority from the proprietor. Property of FCI. Copyright FCI.

1 | 2

3 |

4

**PRODUCT NUMBER**

51752-018\_\_  
NOTE: 3

NOTES:


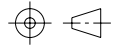
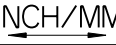
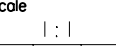
1. DIMENSIONS AND TOLERANCES ARE IN ACCORDANCE WITH ASME Y14.5M, 1994 UNLESS OTHERWISE SPECIFIED.

CONNECTOR NOTES:

- 2 HOUSING MATERIAL: UL 94 V-0 GLASS FILLED  
HIGH-TEMP THERMOPLASTIC  
POWER CONTACT MATERIAL: COPPER ALLOY  
SIGNAL PIN MATERIAL: COPPER ALLOY
- 3. 51752-018;51752-018LF;51752-018GLF PLATING SPEC. SEE PRINT:10064183
- 4 MANUFACTURER'S NAME, P/N, AND DATE CODE TO APPEAR ON THIS SURFACE.
- 5. PRODUCT SPECIFICATION GS-12-149.  
APPLICATION SPECIFICATION BUS-20-067.
- 6. PACKAGED IN TRAYS.

PCB NOTES:

- 7. ALL HOLE DIAMETERS ARE FINISHED HOLE SIZE.
- 8 MOUNTING HOLES, WHERE APPLICABLE, ARE UNPLATED.
- 9  $\varnothing .0453 \pm .0010$  [1.151 $\pm$ 0.025] DRILLED HOLES PLATED WITH .0003 [0.008] MIN SnPb OVER .001 [0.03] TO .003 [0.08] Cu PLATING TO ACHIEVE  $\varnothing .040 \pm .003$  [1.02 $\pm$ .07] HOLE.
- 10 "DIM XXX" TO BE DETERMINED BY THE CUSTOMER.
- 11 CONNECTOR KEEP-OUT ZONE.

mat'l code		SEE NOTE 2		tolerances unless otherwise specified		CUSTOMER		 <b>FCI</b> www.fciconnect.com		
ltr	ecn no.	dr	date	linear	.XX $\pm$ .01/0.X $\pm$ 0.3	COPY				title
A				projection	.XXX $\pm$ .005/0.XX $\pm$ 0.13			5P + 24S VERTICAL STB RECEPT		
				angles	.XXX $\pm$ .0020/0.XXX $\pm$ 0.051			product family		
				dr	JM GUO 02/21/06	INCH/MM		PwrBlade		
				engr	SLUO 02/21/06			code		
				chr	BEER FU 02/21/06	scale		213		
				appd	JOSEPH HSIA 02/21/06	1:1		sheet		
sheet index	revision sheet							A	51752-018	4 of 4

1 | 2

Pro/E

3 |

cage code 22526

4