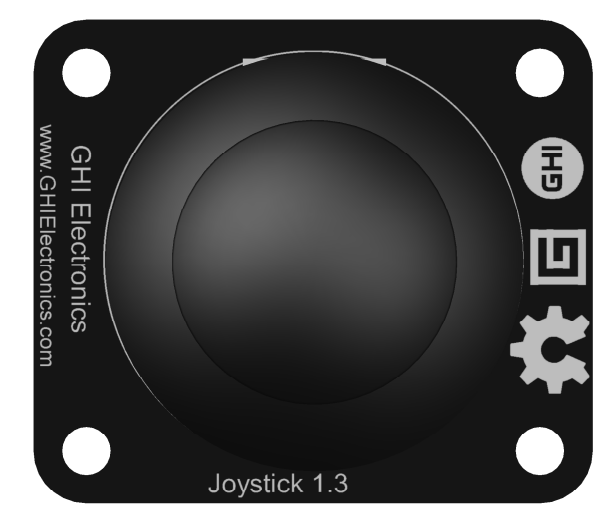
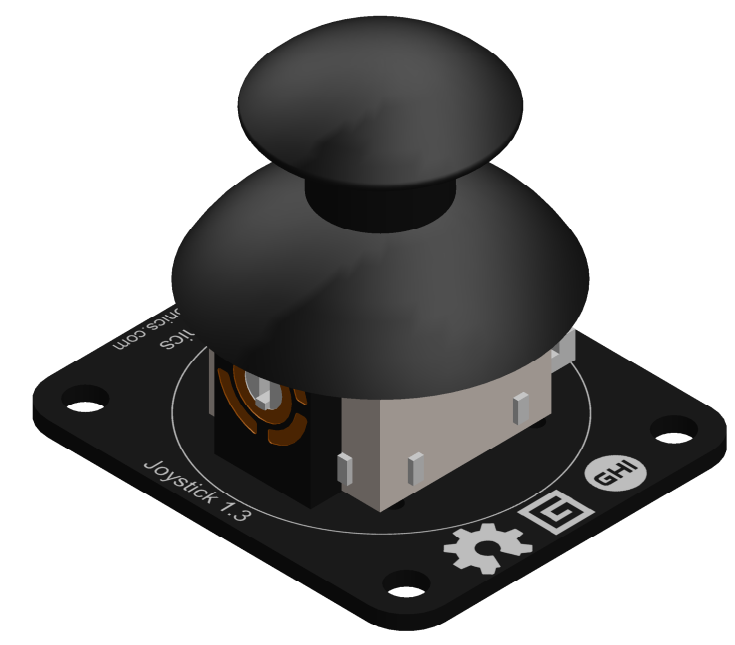
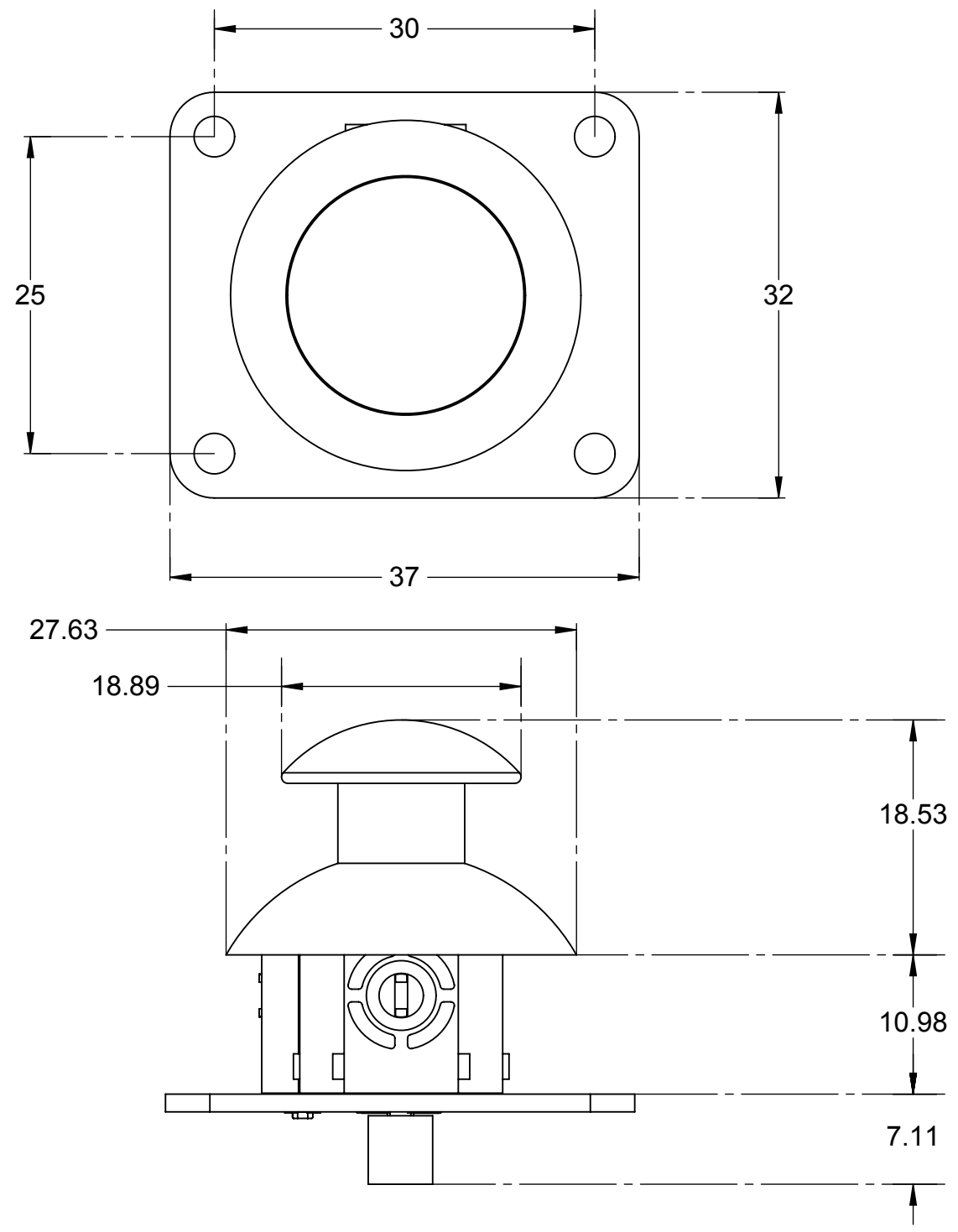


8 7 6 5 4 3 2 1

D
C
B
A



D
C
B
A



ENGINEERING NOTES:

SCREW HOLE DIAMETERS ARE 3.2MM, COMPLIANT WITH THE GADETEER STANDARD.
 HOLE SPACING IS BASED ON A 5MM GRID
 ALL DIMENSIONS ARE ± 0.5MM.

Joystick Module

GHI ELECTRONICS LLC

April 15, 2013

www.ghielectronics.com	SCALE	DIM	REV	SHEET
	2:1	MM	1.3	1 of 1

8 7 6 5 4 3 2 1