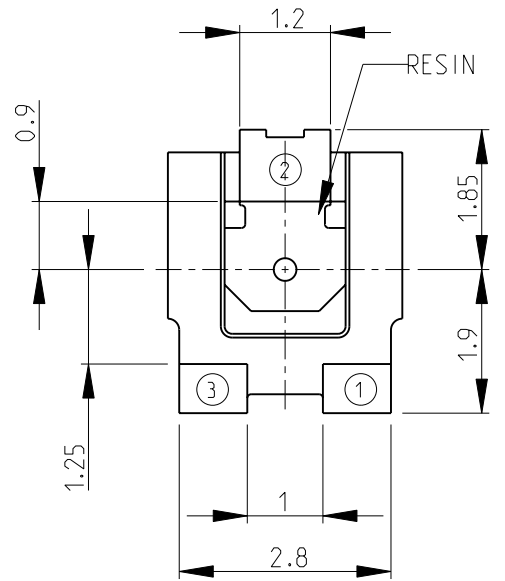
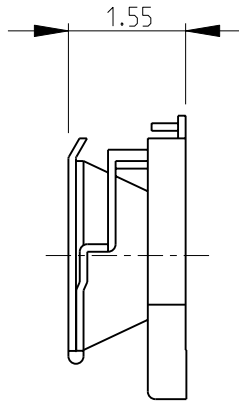
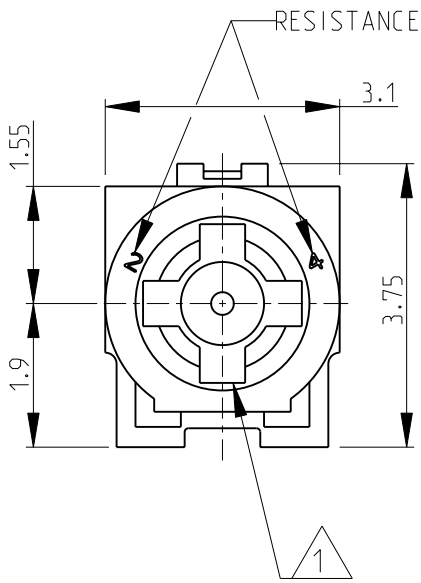
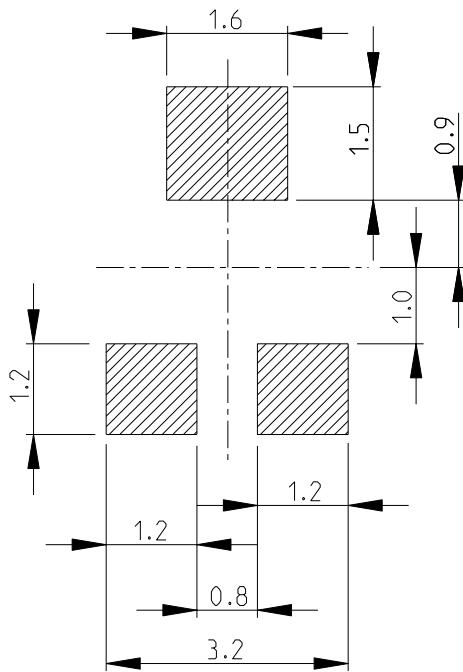


LOC	DIST	REVISIONS					
E	B	P	LTR	DESCRIPTION	DATE	DWN	APVD
		A		NEW RELEASE	05-Aug-08	SM	St.P

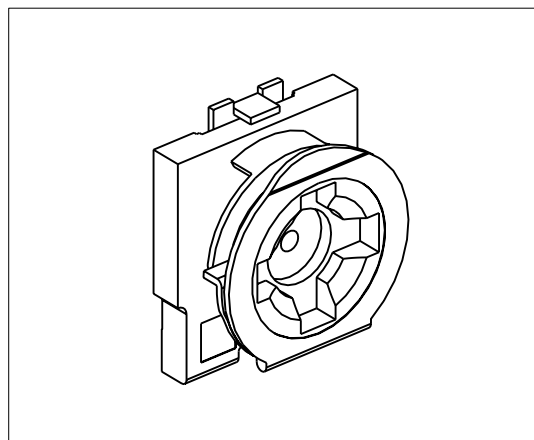


RECOMMENDED LAND PATTERN



- 1 DRIVER SLOT: Width-0.6, length-2.1, Depth-0.4
- 2 FOR FURTHER INFORMATION SEE DATA SHEET FOR 3130 SERIES-SMD ECONOMY TRIMMERS

RoHS Compliant



2008
RELEASED FOR PUBLICATION
THIS DRAWING IS UNPUBLISHED.
COPYRIGHT 2008 BY TYCO ELECTRONICS CORPORATION. ALL RIGHTS RESERVED.

DIMENSIONS: mm	DWN SUBHASH 05-Aug-08	MATERIAL	FINISH
TOLERANCES UNLESS OTHERWISE SPECIFIED:	CHK PRAKASH 05-Aug-08	Tyco Electronics Corporation Dorcan, Swindon, SN3 5HH	
0 PLC ±0.5	APVD STEPHEN.P 05-Aug-08	NAME SMD ECONOMY TRIMMERS SERIES 3130W	
1 PLC ±0.2	PRODUCT SPEC	SIZE	CAGE CODE
2 PLC ±0.1	APPLICATION SPEC	A 4	00779
3 PLC ±-	WEIGHT	DRAWING NO	RESTRICTED TO
4 PLC ±-	-	© = 1623922	-
ANGLES ±5	CUSTOMER DRAWING	SCALE	SHEET
		10:1	1 OF 1
			REV
			A