

KLIXON | 20PS, 39PS, 40PS and 41PS Pressure Switches

WORLD CLASS PERFORMANCE

The 20PS Family of Switch products (20PS, 39PS, 40PS and 41PS) was developed to meet the demanding needs of HVAC & industrial applications and has since become a staple in the heavy vehicle and off road markets. The reliable and durable construction allows the product to perform under severe environmental conditions and very high vibration levels.

Sensata Technologies has been a leading global supplier of pressure sensors & switches for over 50 years.

Features & Benefits

- Automatic Reset
- Single-pole, single throw switch normally open or normally closed
- Factory calibrated set points g vacuum to 750 psig
- Snap acting Klixon™ stainless steel, hermetically sealed sensor
- Environmentally sealed or vented switch
- High cycle life - Proven reliability
- Custom engineered solutions

Applications

- Compressors & Pumps
- Hydraulics & Pneumatics
- Engine Controls
- Air Conditioning & Refrigeration
- Construction Equipment
- Agricultural Equipment
- Process Control / Laboratory
- Military

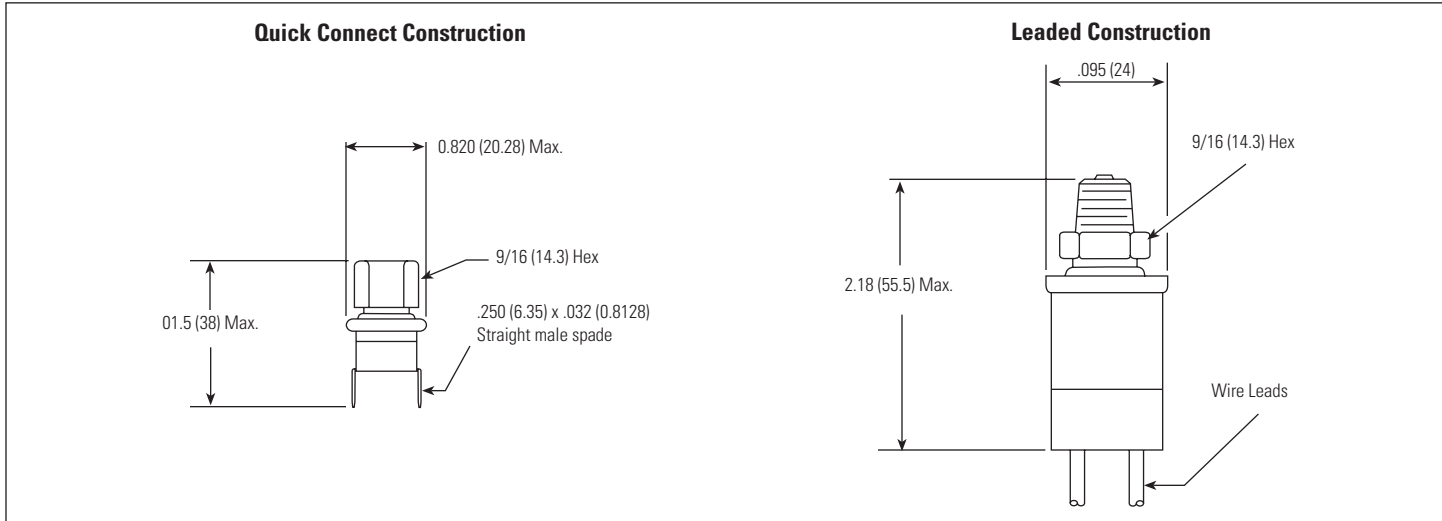
Technical Specifications

| | | | |
|---------------------------------------------------------------------------------------------------------------------------|-----------------------|-----------------------------------------------------------------------------------------------------------------------------------------------------------------|--|
| Operating Pressure | | Dielectric Strength | |
| Vacuum to 750 psig (52 bar) | | 750 Vrms Open Contacts 1550 Vrms Terminals to Fitting | |
| Proof Pressure | | Lead Wire Material / Electrical Connection | |
| Set Point | Proof Pressure | 18 or 16 AWG 600V 105°C PVC Quick Connects .250" x .032" Male Str. Tab Various AMP, Packard, Delphi & Deutsch Connectors | |
| <100psig | 250psig (17 Bar) | Ambient Temperature | |
| 100-500psig | 600psig (41 bar) | -20°F to 176°F / (-29°C to 80°C) (20PS) -40°F to 248°F / (-40°C to 120°C) (40/41PS) | |
| >500psig | 800psig (55 bar) | Fluid Temperature | |
| Higher pressures available for certain applications. Contact Sensata. | | -65°F to 275°F / (-53.9°C to 135°C) | |
| Burst Pressure | | Agency Recognitions | |
| 5000 psig | | UL File SA995 Guide SDFY2 UL (Canada) File SA995 Guide SDFY8 PED EN 12263 Module B&D ENEC, EN60730 EN60730-1, EN60730-2-6 RoHS Compliancy Available | |
| Life at Rated Current | | | |
| 100,000 cycles (All - UL Recognition) 250,000 cycles (All except 20PS) | | | |
| Electrical Ratings | | | |
| 120 VAC - 5.8 FLA 34.8 LRA 240 VAC - 2.9 FLA 15.0 LRA 120/277 VAC - 375 VA Pilot Duty 24 VAC - 125 VA Pilot Duty | | | |

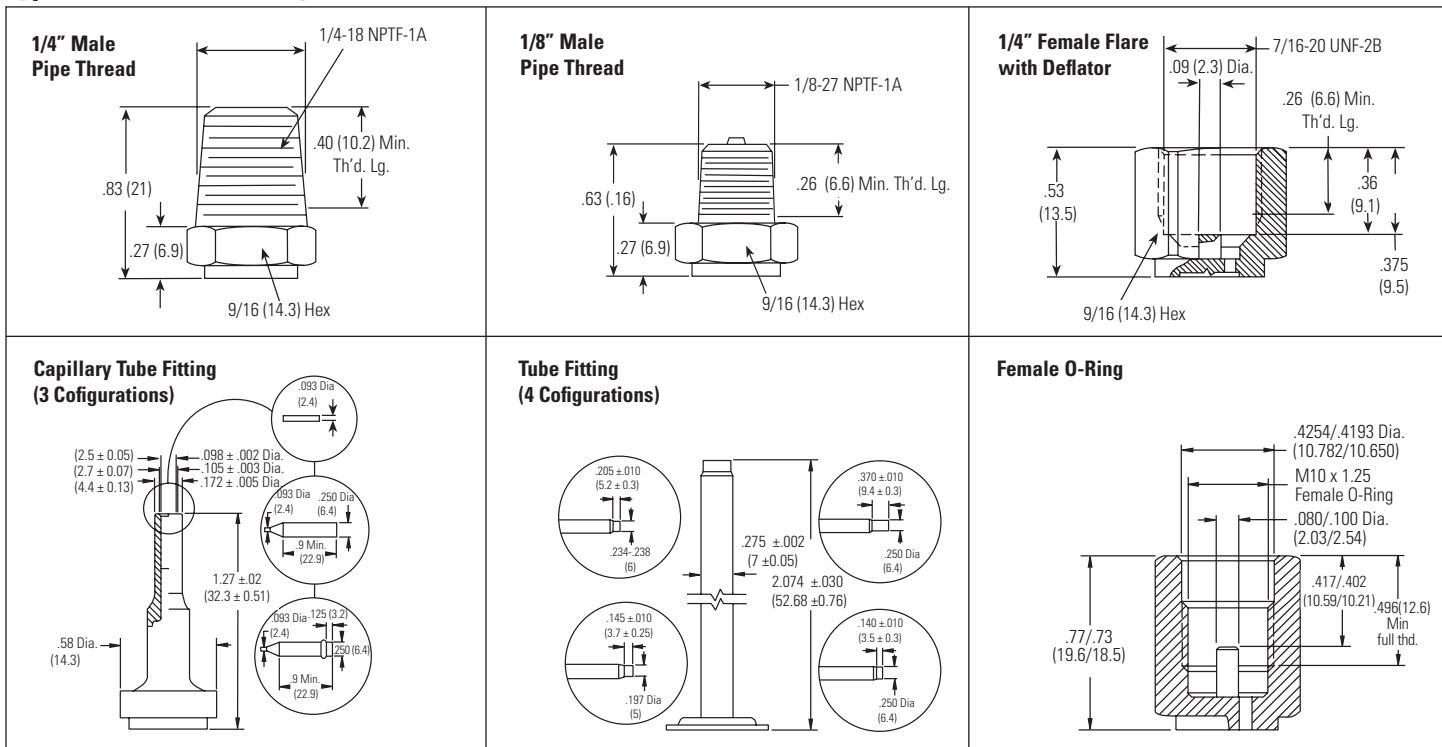
The World Depends on Sensors and Controls

KLIXON® | 20PS, 39PS, 40PS and 41PS Pressure Switches

Typical Physical Characteristics - 20PS, 39PS, 40PS, 41PS



Typical Standard Fittings (Other port fittings are available. Contact Sensata.)



The World Depends on Sensors and Controls

Sensata Technologies

529 Pleasant Street, MS B19
Attleboro, MA 02703-2964
Phone 1-888-438-2214

Fax: 508-236-2349
email: sensors@sensata.com
www.sensata.com

Important Notice: Sensata Technologies (Sensata) reserves the right to make changes to or discontinue any product or service identified in this publication without notice. Sensata advises its customers to obtain the latest version of the relevant information to verify, before placing any orders, that the information being relied upon is current. Sensata assumes no responsibility for infringement of patents or rights of others based on Sensata applications assistance or product specifications since Sensata does not possess full access concerning the use or application of customers' products. Sensata also assumes no responsibility for customers' product designs.