

KLIXON | 20PS, 39PS, 40PS and 41PS Pressure Switches

WORLD CLASS PERFORMANCE

The 20PS Family of Switch products (20PS, 39PS, 40PS and 41PS) was developed to meet the demanding needs of HVAC & industrial applications and has since become a staple in the heavy vehicle and off road markets. The reliable and durable construction allows the product to perform under severe environmental conditions and very high vibration levels.

Sensata Technologies has been a leading global supplier of pressure sensors & switches for over 50 years.

Features & Benefits

- Automatic Reset
- Single-pole, single throw switch normally open or normally closed
- Factory calibrated set points g vacuum to 750 psig
- Snap acting Klixon™ stainless steel, hermetically sealed sensor
- Environmentally sealed or vented switch
- High cycle life - Proven reliability
- Custom engineered solutions

Applications

- Compressors & Pumps
- Hydraulics & Pneumatics
- Engine Controls
- Air Conditioning & Refrigeration
- Construction Equipment
- Agricultural Equipment
- Process Control / Laboratory
- Military

Technical Specifications

Operating Pressure

Vacuum to 750 psig (52 bar)

Proof Pressure

Set Point	Proof Pressure
<100psig	250psig (17 Bar)
100-500psig	600psig (41 bar)
>500psig	800psig (55 bar)

Higher pressures available for certain applications. Contact Sensata.

Burst Pressure

5000 psig

Life at Rated Current

100,000 cycles (All - UL Recognition)
250,000 cycles (All except 20PS)

Electrical Ratings

120 VAC - 5.8 FLA 34.8 LRA
240 VAC - 2.9 FLA 15.0 LRA
120/277 VAC - 375 VA Pilot Duty
24 VAC - 125 VA Pilot Duty

Dielectric Strength

750 Vrms Open Contacts
1550 Vrms Terminals to Fitting

Lead Wire Material / Electrical Connection

18 or 16 AWG 600V 105°C PVC
Quick Connects .250" x .032" Male Str. Tab
Various AMP, Packard, Delphi & Deutsch Connectors

Ambient Temperature

-20°F to 176°F / (-29°C to 80°C) (20PS)
-40°F to 248°F / (-40°C to 120°C) (40/41PS)

Fluid Temperature

-65°F to 275°F / (-53.9°C to 135°C)

Agency Recognitions

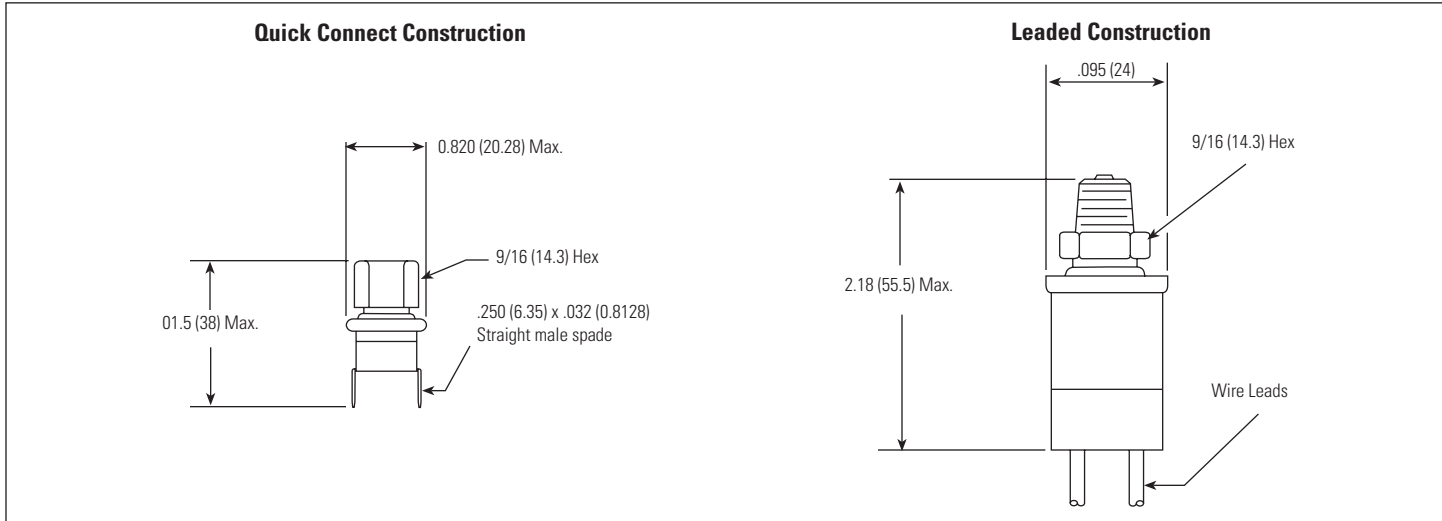
UL File SA995 Guide SDFY2
UL (Canada) File SA995 Guide SDFY8
PED EN 12263 Module B&D
ENEC, EN60730 EN60730-1, EN60730-2-6
RoHS Compliancy Available

The World Depends on Sensors and Controls

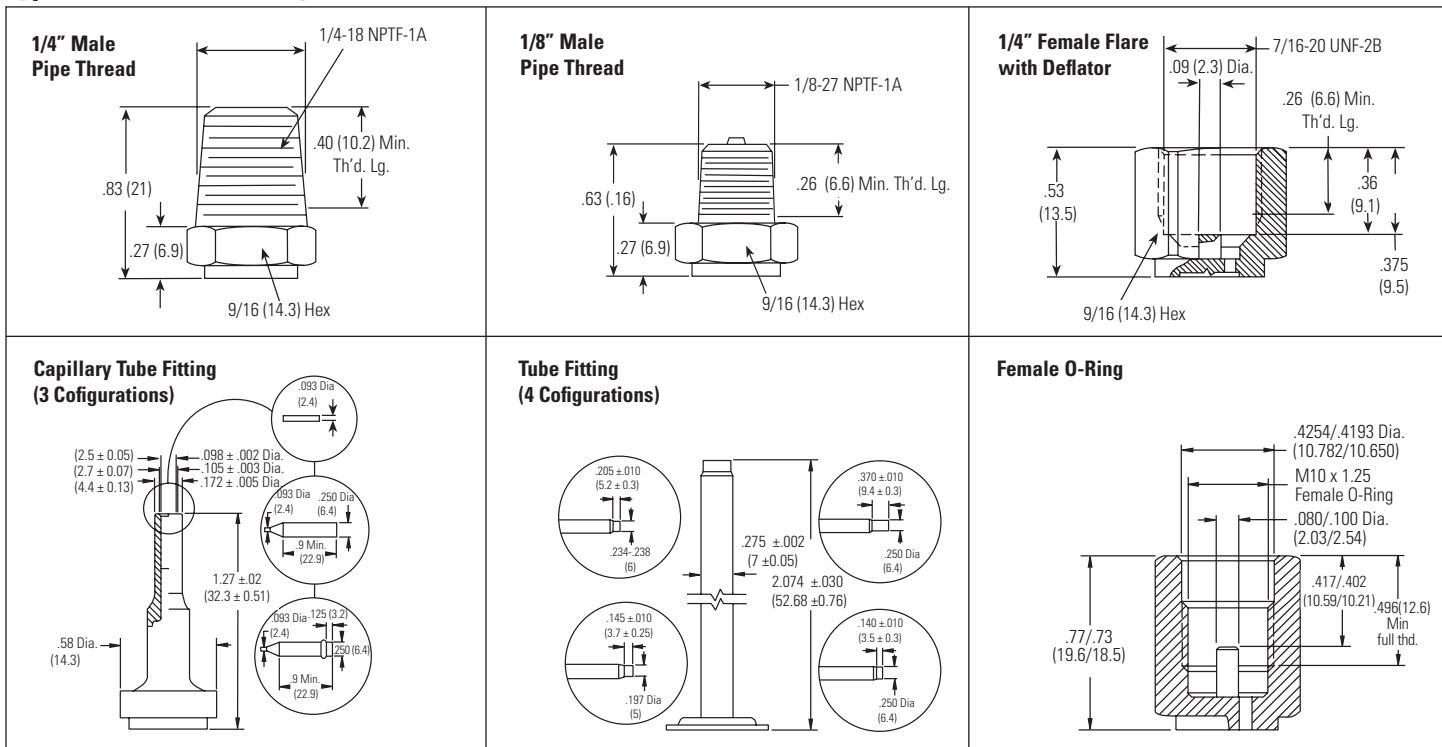
Klixon is a registered trademark of Sensata Technologies

KLIXON® | 20PS, 39PS, 40PS and 41PS Pressure Switches

Typical Physical Characteristics - 20PS, 39PS, 40PS, 41PS



Typical Standard Fittings (Other port fittings are available. Contact Sensata.)



The World Depends on Sensors and Controls

Sensata Technologies

529 Pleasant Street, MS B19
Attleboro, MA 02703-2964
Phone 1-888-438-2214

Fax: 508-236-2349
email: sensors@sensata.com
www.sensata.com

Important Notice: Sensata Technologies (Sensata) reserves the right to make changes to or discontinue any product or service identified in this publication without notice. Sensata advises its customers to obtain the latest version of the relevant information to verify, before placing any orders, that the information being relied upon is current. Sensata assumes no responsibility for infringement of patents or rights of others based on Sensata applications assistance or product specifications since Sensata does not possess full access concerning the use or application of customers' products. Sensata also assumes no responsibility for customers' product designs.