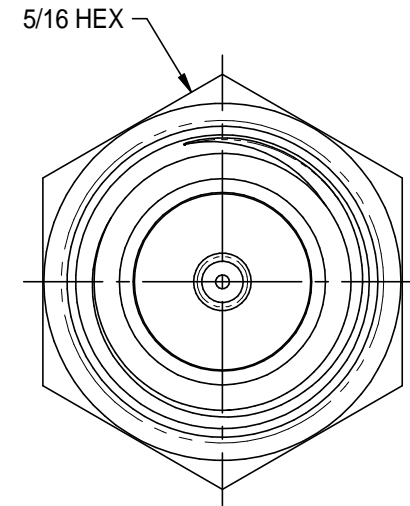
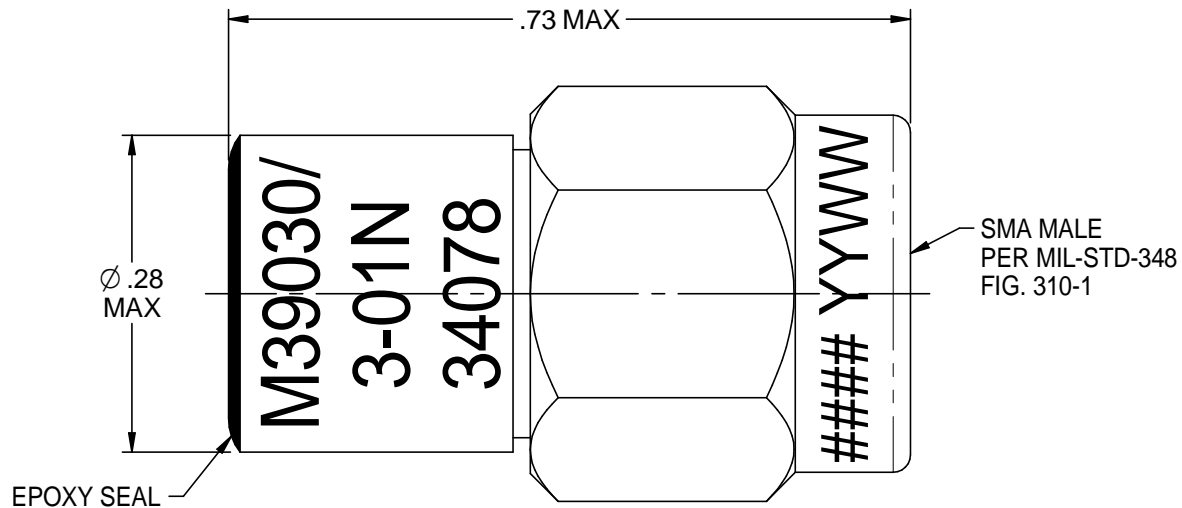
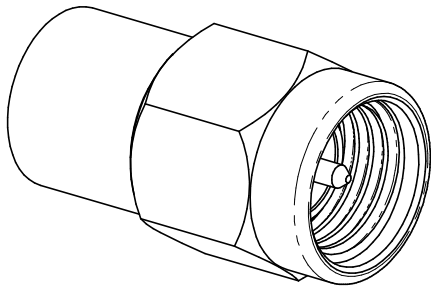


REV	ECO	DATE
F1	ADD TB	7/7/2005
F2	23000	12/9/2010
G	25324	5/1/2015



M39030/3-01N SHOWN

NOTES: UNLESS OTHERWISE SPECIFIED.

1. MATERIAL & FINISH:

- 1.1 BODY: GOLD PLATED STAINLESS STEEL
- 1.2 DIELECTRIC: PTFE (TEFLON)
- 1.3 CENTER CONTACT: GOLD PLATED BERYLLIUM COPPER
- 1.4 GASKET: SILICONE RUBBER

2. SPECIFICATIONS:

- 2.1 FREQUENCY RANGE: DC - 18 GHz
- 2.2 IMPEDANCE: 50 OHMS
- 2.3 VSWR (MAX): 1.05+0.01f (GHz)
- 2.4 POWER HANDLING CAPABILITY:
 - 2.4.1 AVERAGE: 0.5 WATTS MAX AT 25°C DERATED LINEARLY TO 0.125 WATTS AT 125°C
 - 2.4.2 PEAK: 50 WATTS WITH A 1% DUTY CYCLE
- 2.5 OPERATING TEMPERATURE RANGE: -55°C TO 125°C
- 2.6 WEIGHT (MAX): .25 oz

<p>This PROPRIETARY Document is property of Cinch Connectivity Solutions. It is confidential in nature, non-transferable, and issued with the clear understanding that it is not to be traced or copied without permission and is returnable upon demand.</p> <p>INTERPRET DRAWING IN ACCORDANCE WITH ASME Y14.5-2009.</p>	Model No. M39030/3-01(N OR S)	MIDWEST MICROWAVE				
	RoHS2 <input checked="" type="checkbox"/> 2011/65/EU	Cage Code 34078	Title: QPL TERMINATION			
	UNLESS OTHERWISE SPECIFIED UNITS: INCH	3RD ANGLE PROJECTION 	Drawing No. M39030/3-01(N OR S)-01	Rev. G		
	.XX ±.02 .XXX ±.005 ANGLES ±2°	Drawn by: C. WALLACE	Date: 5/7/2015	Size A	DO NOT SCALE DRAWING	Workmanship Std: NONE