

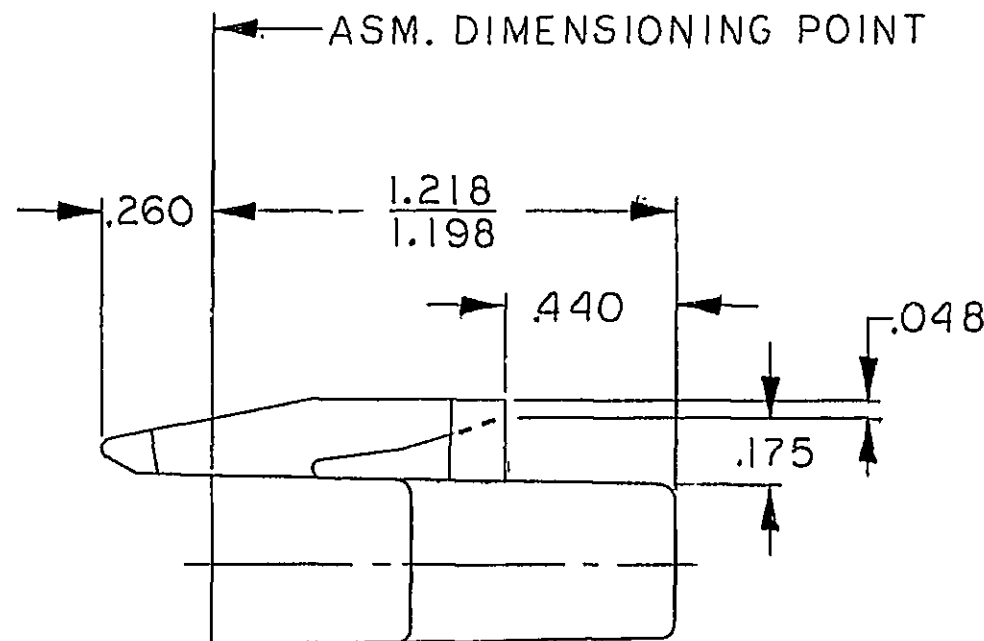
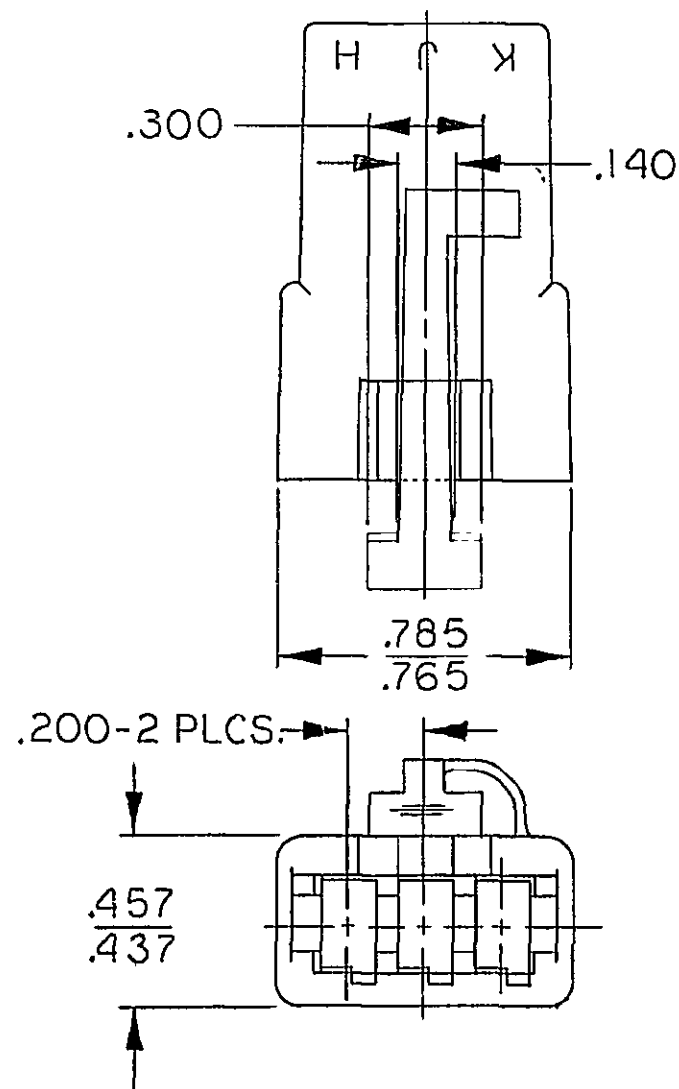
D

THIS DRAWING AND DESIGN HEREON CONSTITUTES A PROPRIETARY DESIGN OF PACKARD ELECTRIC DIVISION AND IS NOT TO BE DUPLICATED OR REPRODUCED WITHOUT AUTHORITY OF PACKARD ELECTRIC DIVISION.

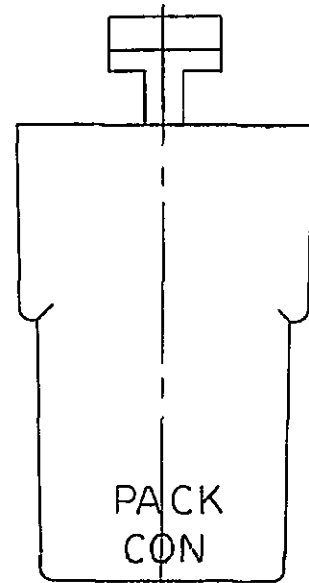
8905205

DO NOT SCALE

PACKARD ELECTRIC DIVISION
GENERAL MOTORS CORPORATION
WARREN, OHIO



MATING END



NOTES

1. THIS PART MATES WITH 08905203 OR 08905222.
2. MATERIAL RECYCLING CODE PER ISO 11469. (.090) X (.004) RAISED CHARACTERS AS SHOWN TO BE LOCATED ON ANY EXTERIOR SURFACE. OPTIONAL CONSTRUCTION TO BE NO MATERIAL RECYCLING CODE.
3. (.090) X (.004) RAISED DELPHI CORPORATE BRAND TO BE LOCATED ON ANY EXTERIOR SURFACE, PREFERABLY VISIBLE AT FINAL ASSEMBLY. OPTIONAL CONSTRUCTION TO BE "PED" OR NO LOGO.

| DATE | SYM | REVISION RECORD | C/NNO |
|---------|-----|---|-----------|
| 11-3-70 | ~ | NOTE REVISED | 38548 |
| 10-5-72 | U | REF. WAS 8905205 "D" SIZE | 47743 |
| 09-0-85 | - | ADDED FLASH WEB TO PUMP HANDLE LOCK | 101257 JM |
| 19-0-85 | B | MAT'L. SPEC. WAS "POLYP. (BLACK)" | 102396 RB |
| 25-0-87 | C | REMOVED OPTIONAL CONSTRUCTION NOTE | 115444 JM |
| 22-0-06 | C1 | UPDATED MAT'L SPEC AND ADDED DELPHI LOGO & RECYCLING NOTES | 277749 |

| | | | |
|----------------------------------|-------------------------------|--|--------------|
| CODE NO. 6900 | | TOLERANCE UNLESS OTHERWISE SPECIFIED DECIMAL TWO PLACE = 01 THREE PLACE = 005 | |
| QC | | DR. <i>G. A. Kerul Jr.</i> | |
| DWG. DATE 10-29-69 | SCALE NONE | CK. <i>Hubbard</i> | DATE 11-3-69 |
| EST. NO. 88394 | REFERENCE NO 8911770 "D" SIZE | APPR. <i>J. Kinga</i> | DATE 11-3-69 |
| MATERIAL SPEC M2097001 PP IM BLK | | APPR. <i>Greene</i> | DATE 11-6-69 |
| NAME CONN 3F PAC/CN I | | | |
| PART NO. 8905205 | OUTLINE DWG. | | SIZE B |

ROUTING

- 82V
- 16A
- 41-05H
- 76V
- 36V
- 304
- 18A
- 99A

141-P