

PART NAME: KNOB

SCALE: 1:1

DATE: 9/27/83

DR. BY HD



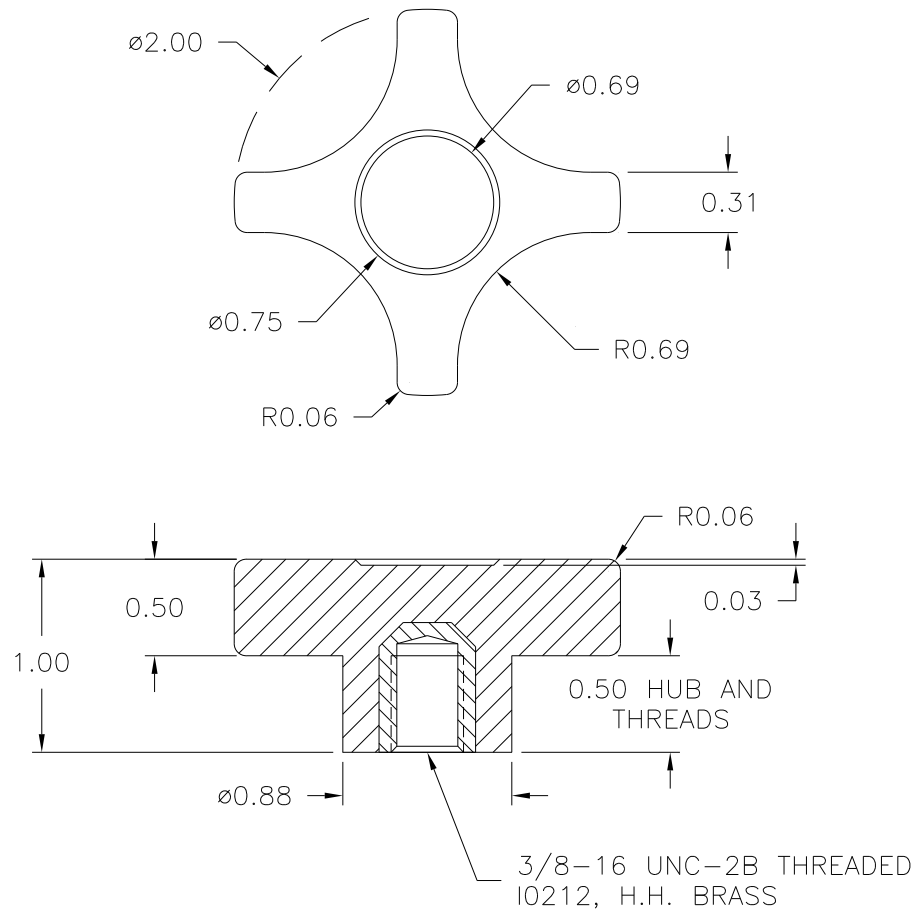
DESIGNERS & MANUFACTURERS OF KNOBS, HANDLES, CASES & CUSTOM PLASTIC COMPONENTS

P/N 2830-B

M<sup>NO.</sup> 2890-2830

THIS DRAWING IS THE PROPERTY OF DAVIES MOLDING COMPANY, IS SUBMITTED SOLELY AS A DESIGN OR ENGINEERING PROJECT. WE ACCEPT NO RESPONSIBILITY WHATSOEVER FOR THE PRACTICAL APPLICATION OF THE PIECES MADE TO THIS DESIGN.

CAVITY	2830
PLUNGER	2830
PLUNGER PIN	2830
PINS	3000-E&E1
LANDING BAR	.472
PIN PLATE SHIM	.498
SHIM	.018
INSERT	I0212



(A)  
(C)

MATERIAL: #4311 PLENCO PHENOLIC (B41)  
COLOR: BLACK

TOLERANCES:  
UNLESS OTHERWISE SPECIFIED

DO NOT SCALE  
DRAWING

DECIMALS: X.XXX  $\pm$  .005  
X.XX  $\pm$  .015

MM: X.XX  $\pm$  0.15MM  
X.X  $\pm$  0.4MM

FRACTIONS  $\pm$  1/64

ANG.  $\pm$  1°

C	WAS .078 (B)	ST	5/14/01
-	RE-DID REDRAW	TL	11/19/99
-	CAD REDRAW	HD	4/12/93
B	SHIM ADDED	HD	7/11/85
A	PIN PLATE & LANDING BAR ADDED	HD	11/20/84

CHANGES