

CS223-4M  
CS223-4N

**SURFACE MOUNT  
4 AMP SILICON SCR  
600 THRU 800 VOLTS**



**SOT-223 CASE**



[www.centrasemi.com](http://www.centrasemi.com)

**DESCRIPTION:**

The CENTRAL SEMICONDUCTOR CS223-4M series type is an Epoxy Molded Silicon Controlled Rectifier designed for sensing circuit applications and control systems.

**MARKING: FULL PART NUMBER**

<b>MAXIMUM RATINGS:</b> ( $T_C=25^\circ\text{C}$ unless otherwise noted)	<b>SYMBOL</b>	<b>CS223-4M</b>	<b>CS223-4N</b>	<b>UNITS</b>
Peak Repetitive Off-State Voltage	$V_{DRM}, V_{RRM}$	600	800	V
RMS On-State Current ( $T_C=85^\circ\text{C}$ )	$I_T(\text{RMS})$	4.0		A
Peak One Cycle Surge, $t=10\text{ms}$	$I_{TSM}$	30		A
$I^2t$ Value for Fusing, $t=10\text{ms}$	$I^2t$	4.5		$\text{A}^2\text{s}$
Peak Gate Power, $t_p=20\mu\text{s}$	$P_{GM}$	3.0		W
Average Gate Power Dissipation	$P_{G(AV)}$	0.2		W
Peak Gate Current, $t_p=20\mu\text{s}$	$I_{GM}$	1.2		A
Critical Rate of Rise of On-State Current	$di/dt$	50		$\text{A}/\mu\text{s}$
Operating Junction Temperature	$T_J$	-40 to +125		$^\circ\text{C}$
Storage Temperature	$T_{stg}$	-40 to +150		$^\circ\text{C}$
Thermal Resistance	$\Theta_{JA}$	62.5		$^\circ\text{C}/\text{W}$

**ELECTRICAL CHARACTERISTICS:** ( $T_C=25^\circ\text{C}$  unless otherwise noted)

<b>SYMBOL</b>	<b>TEST CONDITIONS</b>	<b>MIN</b>	<b>TYP</b>	<b>MAX</b>	<b>UNITS</b>
$I_{DRM}, I_{RRM}$	Rated $V_{DRM}, V_{RRM}, R_{GK}=1\text{K}\Omega$			10	$\mu\text{A}$
$I_{DRM}, I_{RRM}$	Rated $V_{DRM}, V_{RRM}, R_{GK}=1\text{K}\Omega, T_C=125^\circ\text{C}$			200	$\mu\text{A}$
$I_{GT}$	$V_D=12\text{V}, R_L=10\Omega$	20	38	200	$\mu\text{A}$
$I_H$	$I_T=50\text{mA}, R_{GK}=1\text{K}\Omega$		0.25	2.0	$\text{mA}$
$V_{GT}$	$V_D=12\text{V}, R_L=10\Omega$		0.55	0.8	V
$V_{TM}$	$I_{TM}=8.0\text{A}, t_p=380\mu\text{s}$		1.6	1.8	V
$dv/dt$	$V_D=2/3 V_{DRM}, R_{GK}=1\text{K}\Omega, T_C=125^\circ\text{C}$	10			$\text{V}/\mu\text{s}$

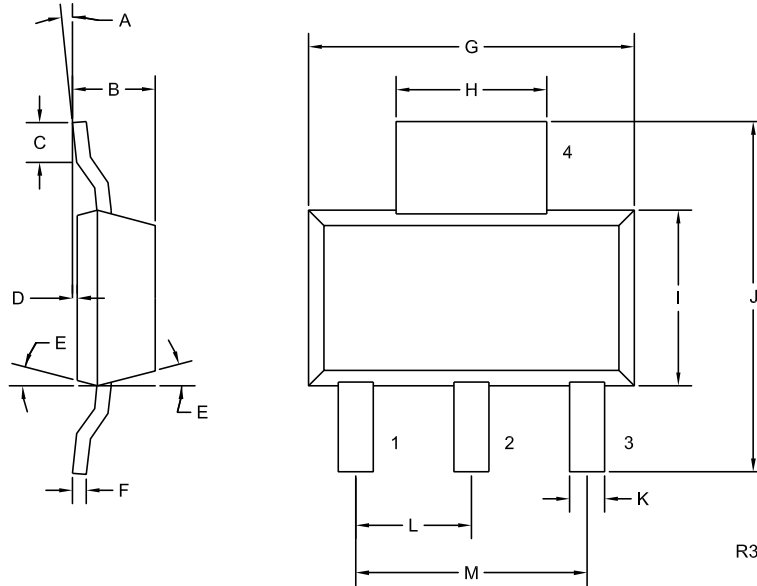
R1 (12-February 2010)

CS223-4M  
CS223-4N

SURFACE MOUNT  
4 AMP SILICON SCR  
600 THRU 800 VOLTS



SOT-223 CASE - MECHANICAL OUTLINE



LEAD CODE:

- 1) Cathode
- 2) Anode
- 3) Gate
- 4) Anode

MARKING:

FULL PART NUMBER

DIMENSIONS				
SYMBOL	INCHES		MILLIMETERS	
	MIN	MAX	MIN	MAX
A	0°	10°	0°	10°
B	0.059	0.071	1.50	1.80
C	0.018	—	0.45	—
D	0.000	0.004	0.00	0.10
E	15°		15°	
F	0.009	0.014	0.23	0.35
G	0.248	0.264	6.30	6.70
H	0.114	0.122	2.90	3.10
I	0.130	0.146	3.30	3.70
J	0.264	0.287	6.70	7.30
K	0.024	0.033	0.60	0.85
L	0.091		2.30	
M	0.181		4.60	

SOT-223 (REV: R3)

R1 (12-February 2010)