

TK 1309 – Polystyrene and Polycarbonate – 130 x 94 mm (5.12 x 3.70 in.)

Standard Features

- **Protection Level:** IP66 (NEMA Type: 4X with gray cover, 12K with transparent cover)
- **Technical:** Smooth or Knockout Sidewalls
Gray or Tinted Transparent Cover
Multiple Enclosure Mounting Options
- **UL Recognized Enclosure Materials:** Polystyrene or Polycarbonate
- **Gasket Material:** Polyurethane
- **Color:** Light Gray
- **Material Temperature Range:** Polystyrene
-40°C to 70°C (-40°F to 158°F)
Polycarbonate
-40°C to 120°C (-40°F to 248°F)
- **Accessories:** See section below



Smooth Sidewalls

Ordering Information	Height mm (in)	Polystyrene					Polycarbonate			
		Cat. No.	Type	Cover Color	Std. Pk.	Cat. No.	Type	Cover Color	Std. Pk.	
☐ Enclosure - low cover	57 mm (2.24 in)	110-409	PS 1309-6-o	gray	3	120-409	PC 1309-6-o	gray	3	
☐ Enclosure - high cover	81 mm (3.19 in)	110-909	PS 1309-8-o	gray	3	120-909	PC 1309-8-o	gray	3	
☐ Enclosure - low cover	57 mm (2.24 in)	111-009	PS 1309-6-to	trans.	3	130-009	PC 1309-6-to	trans.	3	
☐ Enclosure - high cover	81 mm (3.19 in)	111-509	PS 1309-8-to	trans.	3	130-509	PC 1309-8-to	trans.	3	

Sidewalls with Metric Knockouts

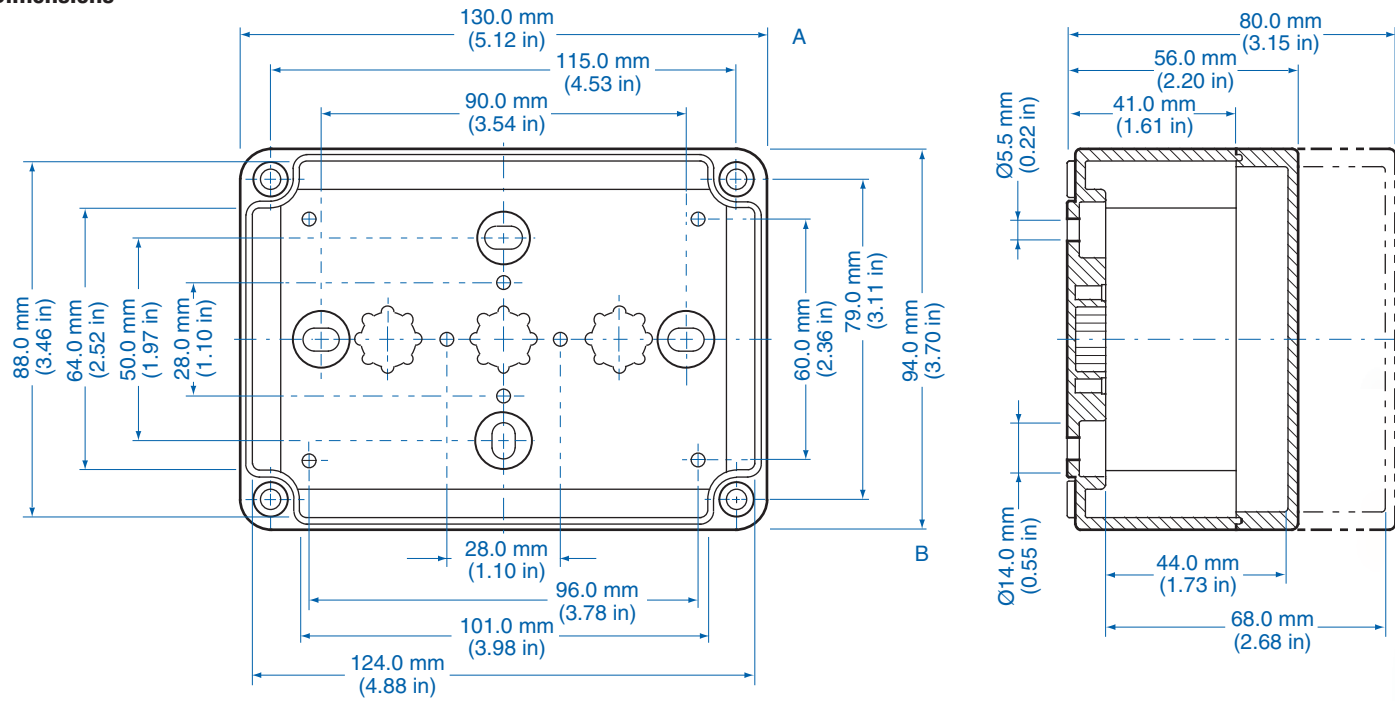
Ordering Information	Height mm (in)	Polystyrene					Polycarbonate			
		Cat. No.	Type	Cover Color	Std. Pk.	Cat. No.	Type	Cover Color	Std. Pk.	
☐ Enclosure - low cover	57 mm (2.24 in)	105-409	PS 1309-6-m	gray	3	127-409	PC 1309-6-m	gray	3	
☐ Enclosure - high cover	81 mm (3.19 in)	105-909	PS 1309-8-m	gray	3	127-909	PC 1309-8-m	gray	3	
☐ Enclosure - low cover	57 mm (2.24 in)	106-009	PS 1309-6-tm	trans.	3	137-009	PC 1309-6-tm	trans.	3	
☐ Enclosure - high cover	81 mm (3.19 in)	106-509	PS 1309-8-tm	trans.	3	137-509	PC 1309-8-tm	trans.	3	

Accessories

Ordering Information	Cat. No.	Type	Std. Pk.
Mounting Plate (plastic)	195-009	TKMPI-1309	1
Mounting Plate (steel)	197-009	TKMPS-1309	1
DIN Rail TS35-106mm	198-106	TS 35/106	1
DIN Rail TS15-111mm	197-111	TS 15/111	1
Hinge Kit Set	190-002	HK1	1
Mounting Tab Kit	194-001	MT1	1

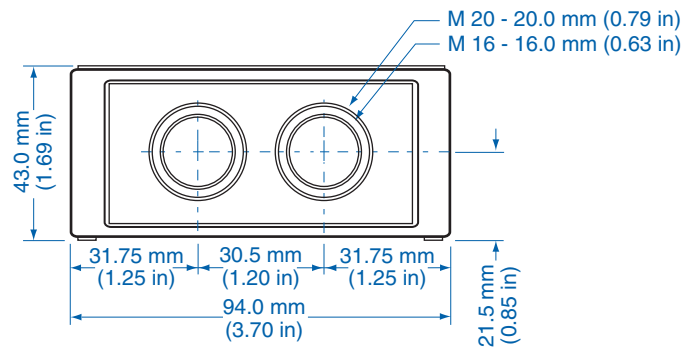
Please refer to pages 149-152 for additional accessories and detailed information.

Dimensions



Knockout Positions

Side A



Side B

