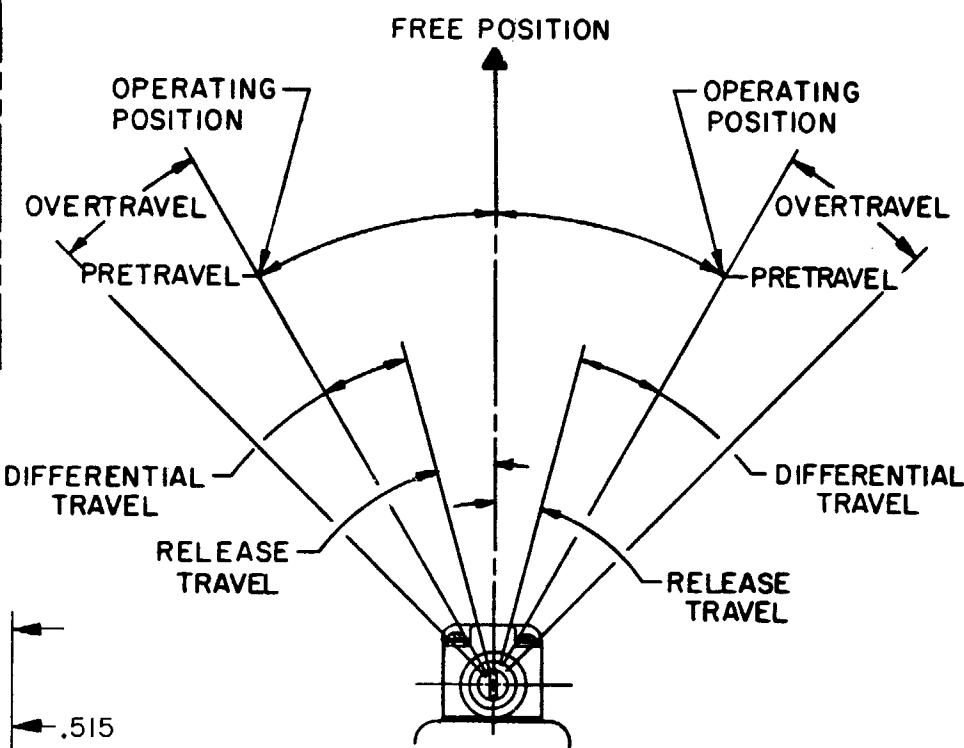
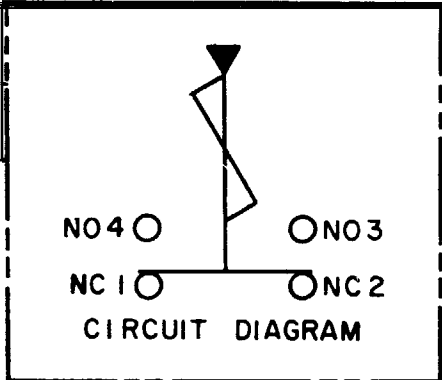


MICRO SWITCH
a Honeywell Division

SWITCH-ENCLOSED

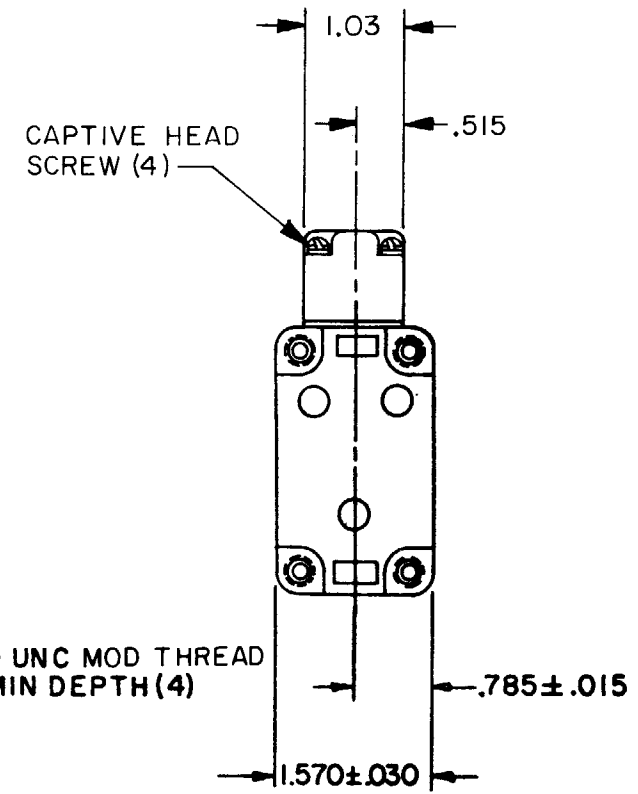
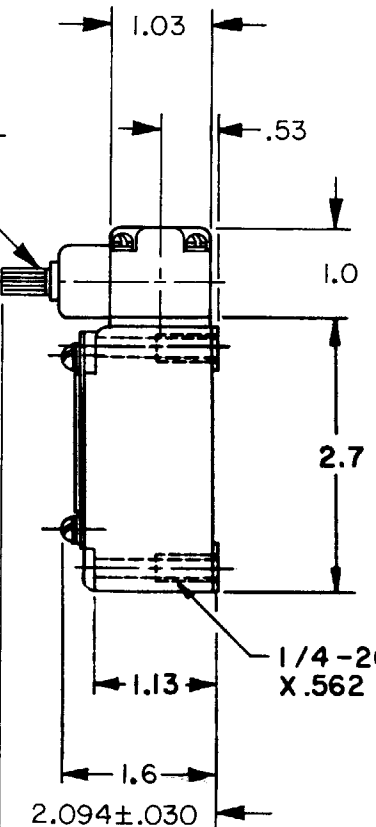
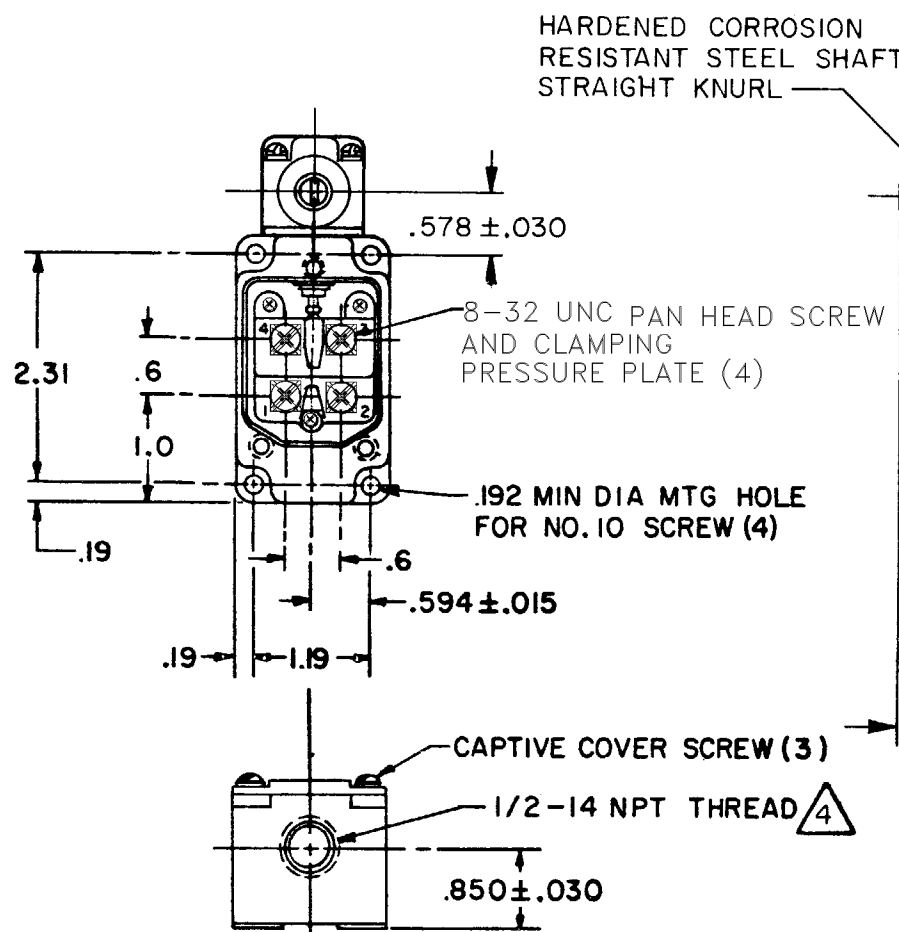
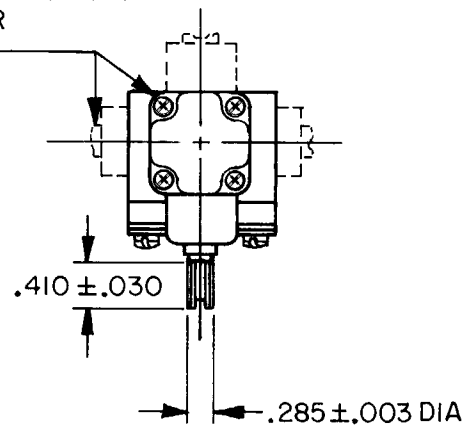
CATALOG LISTING
1LS23-L

FED. MFG. CODE 91929



CATALOG LISTING
1LS23-L
 PAGE 1 OF 1
 RELEASE NO. PR-9466
 CHECK
 REVISIONS
 A CO 76997
 GJW 22 MAR 95
 CHECK
 DRAWN
 14 APR 95
 GJW
 FORMTEK

OPERATING HEAD MOUNTS
IN ANY OF FOUR
POSITIONS



THIS DRAWING COVERS A PROPRIETARY ITEM AND IS THE PROPERTY OF MICRO SWITCH, A DIVISION OF HONEYWELL. THIS DRAWING IS NOT TO BE COPIED OR USED WITHOUT THE APPROVAL OF MICRO SWITCH

CHARACTERISTICS
OPERATING TORQUE----- 30 IN OZ MAX
FULL OVERTRAVEL TORQUE-- 40 IN OZ MAX
RELEASE TORQUE----- 4 IN OZ MIN
PRETRAVEL----- 20° MAX
DIFFERENTIAL TRAVEL----- 12° MAX
OVERTRAVEL----- 30° MIN
RELEASE TRAVEL----- 5° MIN
BASIC SWITCH REPLACEMENT----- 2MNI-L

ELECTRICAL DATA
CONTACT ARRANGEMENT (SEE CIRCUIT DIAGRAM)
L126 10A 125, 250 OR 480 VAC
1/3HP 125 VAC, 3/4HP 250 VAC
0.8A 125 VDC, 0.4A 250 VDC

THIRD ANGLE PROJECTION
SCALE 1/2 TO 1
DO NOT SCALE PRINT
UNLESS OTHERWISE SPECIFIED TOLERANCES ARE
ONE PLACE (.01) ±.030
TWO PLACE (.00) ±.015
THREE PLACE (.000) ±.005
ANGLES ±
WEIGHT

- NOTES
- SWITCH IS ASSEMBLED FOR ACTUATION IN EITHER DIRECTION, BUT MAY BE ADJUSTED TO ACTUATE THE SWITCH IN THE CLOCKWISE DIRECTION ONLY, THE COUNTERCLOCKWISE DIRECTION ONLY, OR IN BOTH DIRECTIONS
 - TO CONVERT SWITCH FOR ACTUATION IN EITHER THE CLOCKWISE OR COUNTERCLOCKWISE DIRECTION ONLY, REMOVE ACTUATOR HEAD AND ROTATE THE NOTCHED PLUNGER 90° TO THE RIGHT FOR CLOCKWISE ACTUATION OR 90° TO THE LEFT FOR COUNTERCLOCKWISE ACTUATION

⁴ SEAL TO BE FURNISHED BY USER

