

THIS DRAWING IS UNPUBLISHED.

RELEASED FOR PUBLICATION

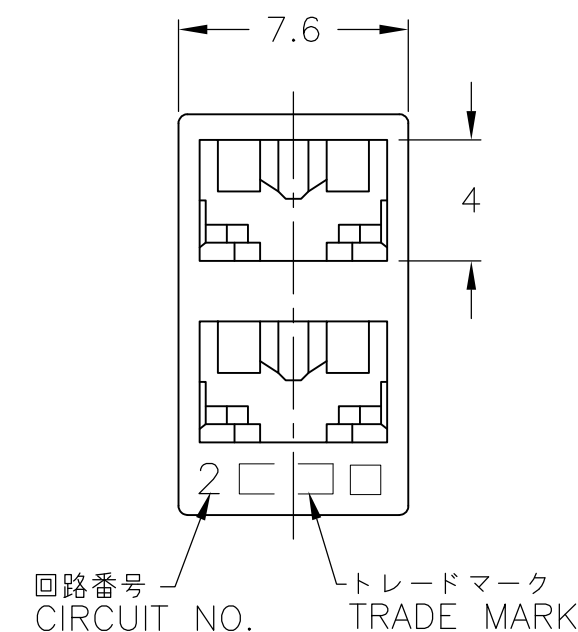
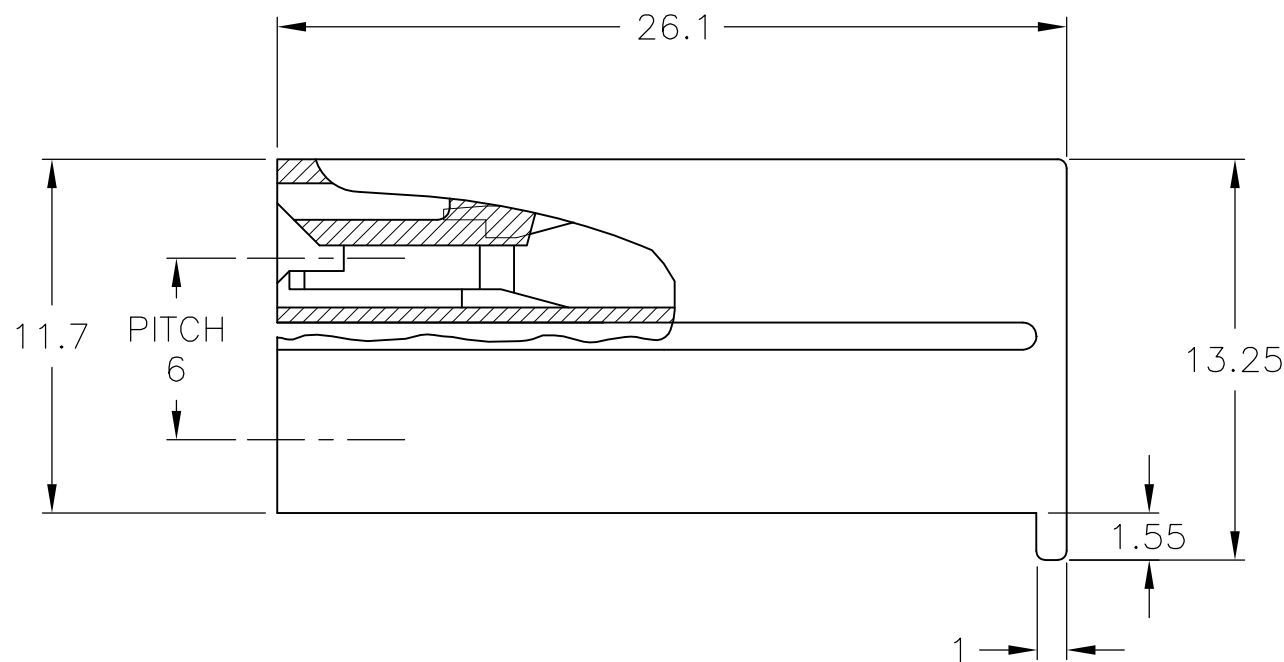
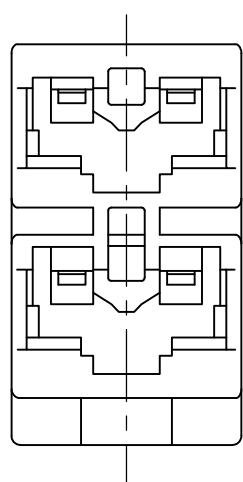
ALL RIGHTS RESERVED.

© COPYRIGHT - By -

REVISIONS

変更

P	LTR	DESCRIPTION	DATE	DWN	APVD
E1		REVISED PER ECR-16-007334	23MAY2016	NK	LP



1 APPLICABLE CONTACT P/N : 170324-X,170325-X,170326-X

2 APPLICABLE MATING PART : LEAD SWITCH (2POS)

3 SEE DWG NO. CP80-25075 FOR APPLICABLE TAB DIMENSIONS.


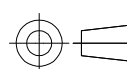
△4 MATERIAL : 6/6 NYLON (UL94V-2)

△5 MATERIAL : 6/6 NYLON (UL94V-0)

△6 MATERIAL : 6/6 NYLON GLASS FILLED (UL94V-0)

△7 OBSOLETE : 1-172210-5

△7	1-172210-7	172210-7	赤色 RED
△7	1-172210-2	172210-2	黒色 BLACK
△7	2-172210-6	172210-6	青色 BLUE
△7	1-172210-5	172210-5	緑色 GREEN
△7	1-172210-4	172210-4	黄色 YELLOW
△7	2-172210-1	172210-1	自然色 NATURAL
△6	△5	△4	色調 COLOR

THIS DRAWING IS A CONTROLLED DOCUMENT.		DWN J.SATO 26MAR2008	 TE Connectivity		
DIMENSIONS: 単位: 耗 mm		CHK S.MANABE 28MAR2008			
TOLERANCES UNLESS OTHERWISE SPECIFIED: 一般公差		APVD S.MANABE 28MAR2008	NAME 名称 187 SERIES 2POS POSITIVE LOCK (MARK-II) HOUSING		
		PRODUCT SPEC 製品規格 108-5126	DRAWING NO 番号 A3 00779 C-172210		
MATERIAL 材料 SEE NOTE		FINISH 仕上	APPLICATION SPEC 取付適用規格	SIZE A3	CAGE CODE 00779
		WEIGHT	DRAWING NO 番号 C-172210		RESTRICTED TO —
			CUSTOMER DRAWING		SCALE 尺度 4:1
					SHEET 1 OF 1
					REV E1