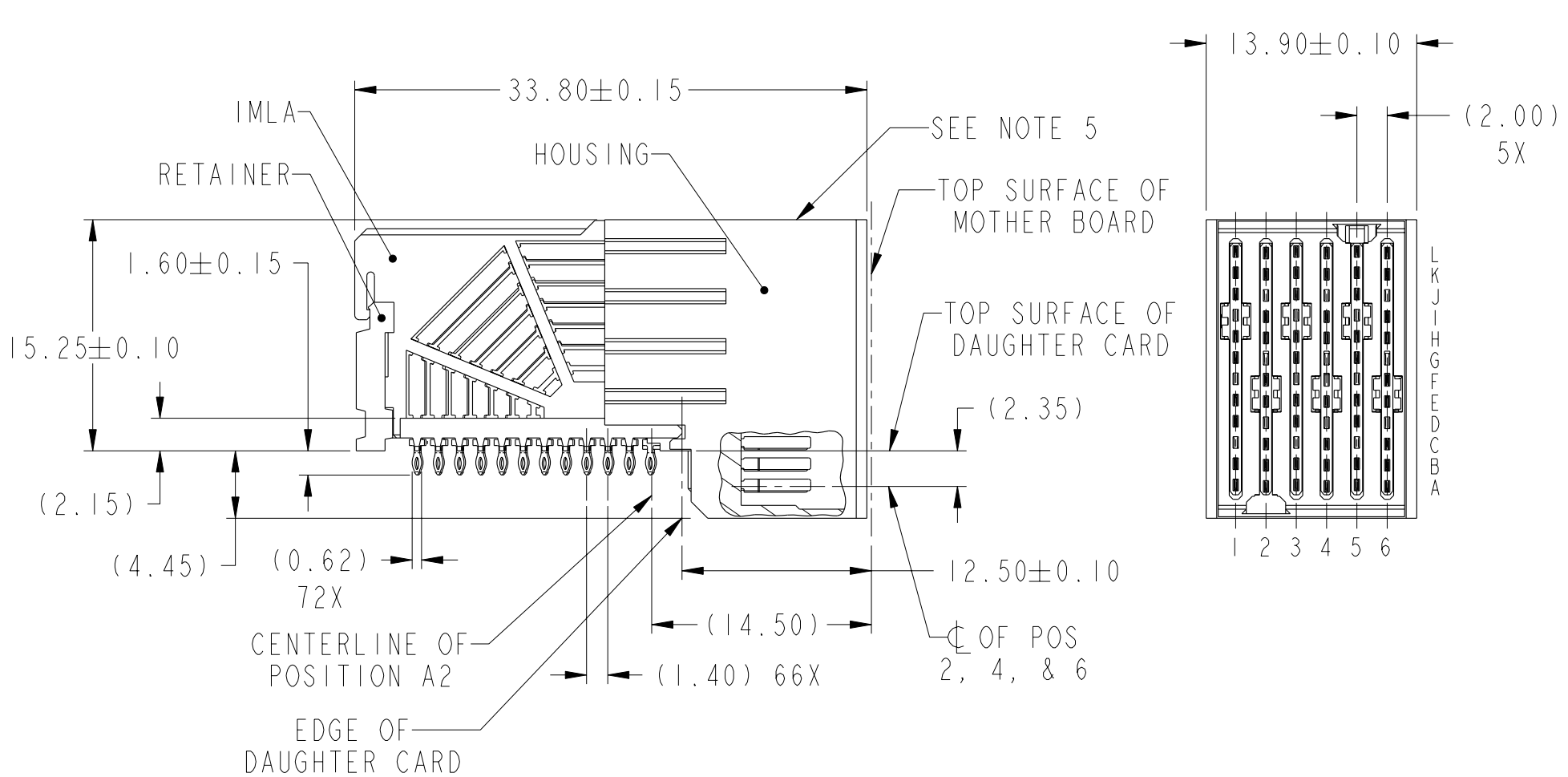


Product number  
SEE TABLE, SHT 5



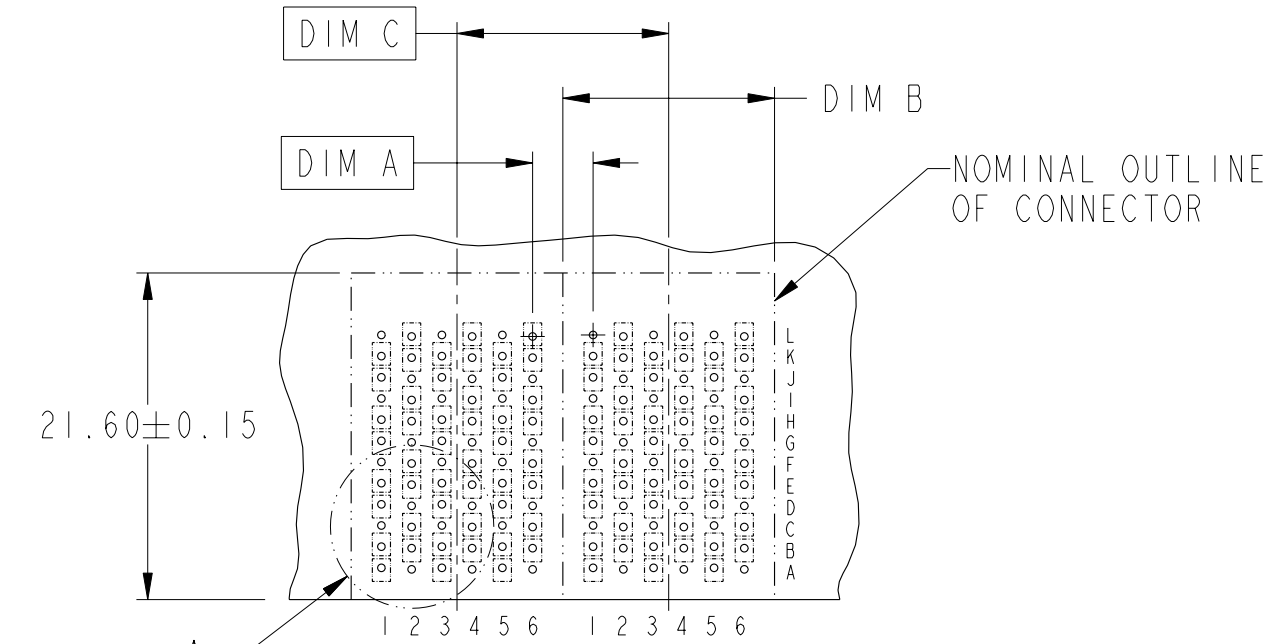
Copyright FCI.

rev	ecn no	dr	date
A	S08-0192	CH	2008-06-20
-	-	-	-
-	-	-	-
-	-	-	-
-	-	-	-
-	-	-	-

www.fciconnect.com		surface - ASME Y14.5	tolerance std ASME Y14.5	projection MM
		TOLERANCES UNLESS OTHERWISE SPECIFIED		MM
Dr	C. H. TAN	2008-06-20	ANGULAR	size A4
Eng	C. H. TAN	2008-06-20	LINEAR	Scale 5:2
Chr	C. H. TAN	2008-06-20	0° ±°	ECN ***
Appr	JOEY NG	2008-06-20	Product family AirMax VS	Spec ref
FCI			AirMax VS R/A HEADER ASSY	Rev. A
			PRESS-FIT, 72 POS, 14MM	dwg no 10084586
			catalog no -	CUSTOMER sheet 1 of 5

REV F - 2006-04-17

DESCRIPTION	DIM A	DIM B	DIM C
2-14MM MODULES PLACED END-TO-END	4.00	13.90 2X	14.00
1-12MM MODULE & 1-14MM MODULE PLACED END-TO-END	3.00	11.90 1X & 13.90 1X	13.00



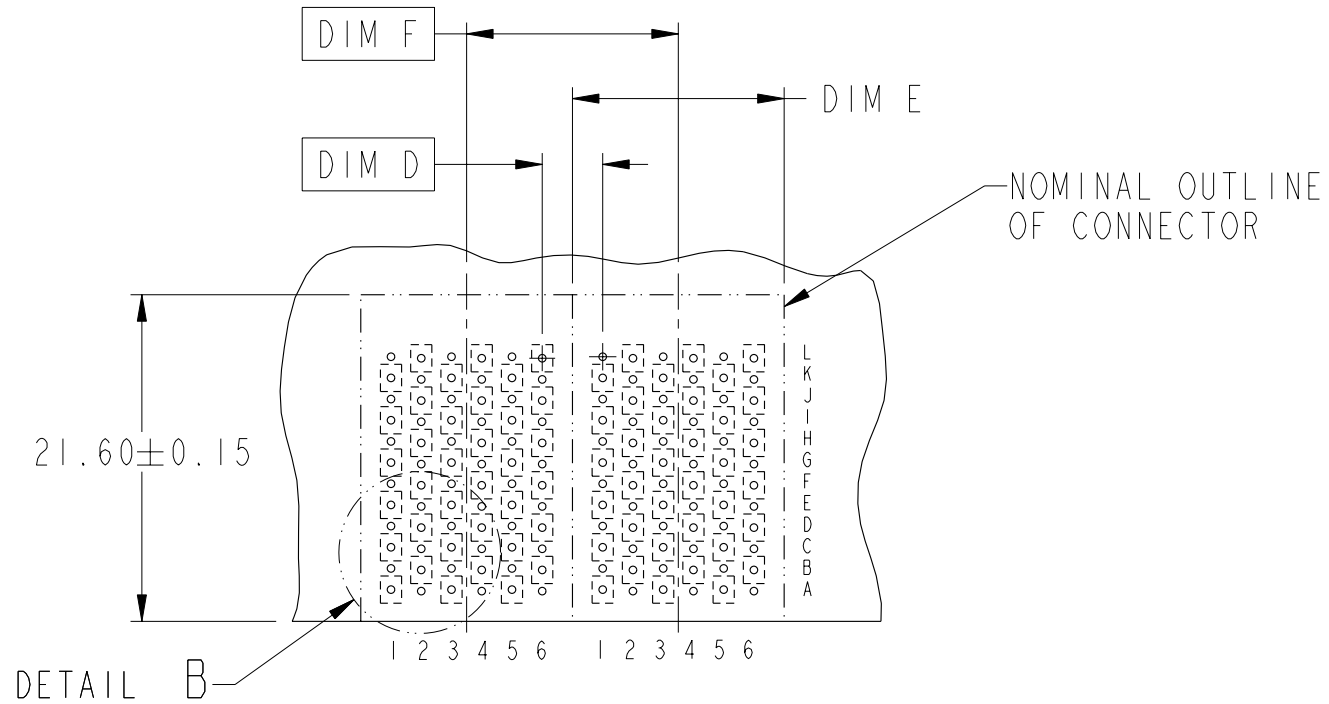
RECOMMENDED PCB LAYOUT  
FOR DIFFERENTIAL APPLICATIONS  
COMPONENT SIDE  
(TWO ADJACENT FOOTPRINTS SHOWN)  
NOTES 6 & 7



Copyright FCI.

	title AirMax VS R/A HEADER ASSY PRESS-FIT, 72 POS, 14MM	dwg no 10084586	Rev. A
	catalog no -	CUSTOMER	sheet 2 of 5

DESCRIPTION	DIM D	DIM E	DIM F
2-14MM MODULES PLACED END-TO-END	4.00	13.90 2X	14.00
1-12MM MODULE & 1-14MM MODULE PLACED END-TO-END	3.00	11.90 1X & 13.90 1X	13.00



RECOMMENDED PCB LAYOUT  
FOR SINGLE ENDED APPLICATIONS  
COMPONENT SIDE  
(TWO ADJACENT FOOTPRINTS SHOWN)  
NOTES 6 & 7

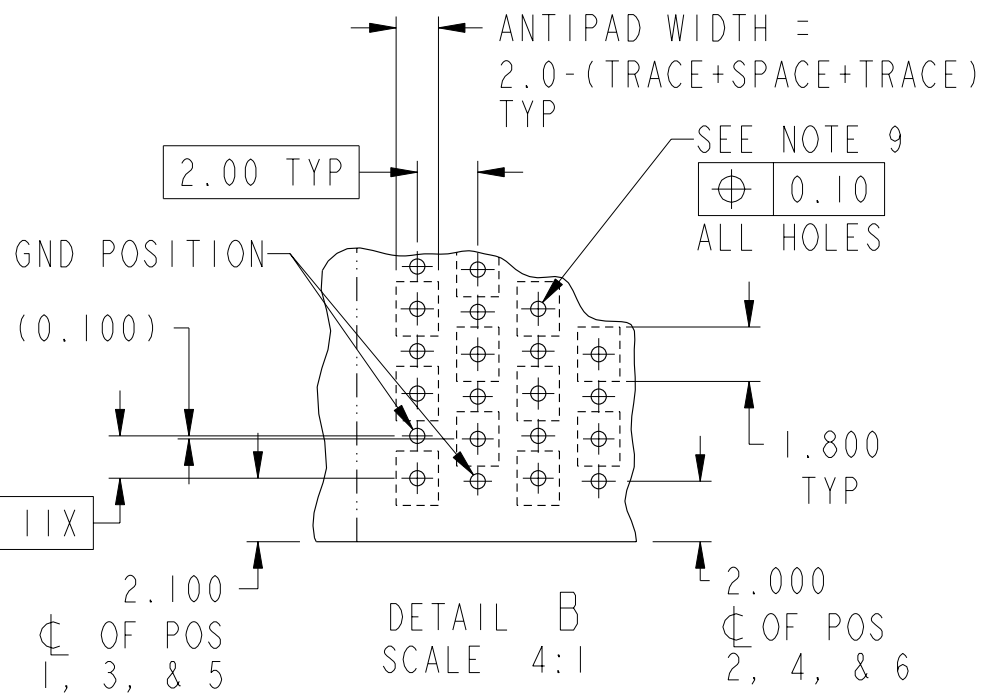
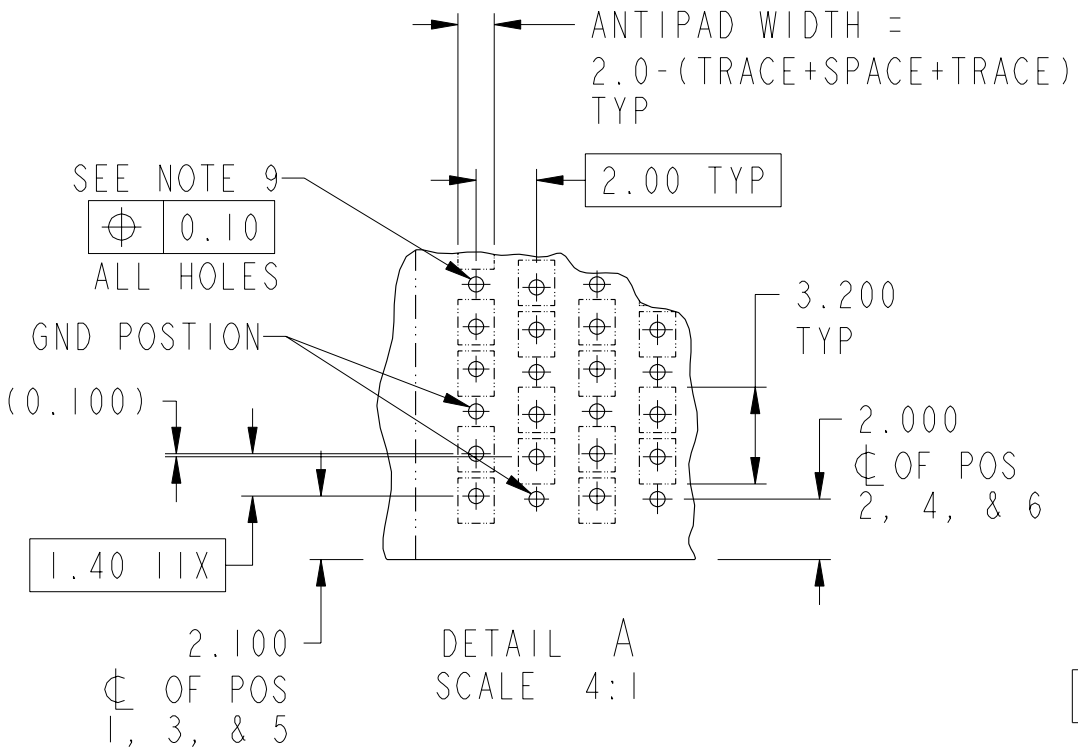


title	AirMax VS R/A HEADER ASSY	dwg no	10084586	Rev.	A
	PRESS-FIT, 72 POS, 14MM				
catalog no	-	CUSTOMER	sheet 3 of 5		





Copyright FCI.



AirMax VS R/A HEADER ASSY  
PRESS-FIT, 72 POS, 14MM  
catalog no

dwg no 10084586  
CUSTOMER

Rev. A  
sheet 4 of 5

1

2

3

4

PART NUMBER	PRESS-FIT TAIL PLATING TYPE
10084586-101LF	TIN OVER NICKEL (LEAD FREE)

A

B

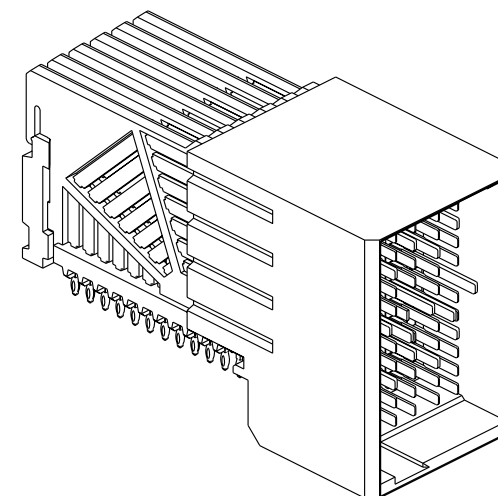
C

Copyright FCI.

D

## NOTES:

1. CONNECTOR MATERIALS:  
HOUSING & RETAINER: HIGH TEMP THERMOPLASTIC, NATURAL, UL94V-0  
IMLA PLASTIC: HIGH TEMP THERMOPLASTIC, BLACK, UL94V-0  
CONTACT: COPPER ALLOY
2. CONTACT PLATING:  
SEPARABLE INTERFACE:  
PERFORMANCE-BASED PLATING, QUALIFIED TO MEET THE  
REQUIREMENTS OF FCI PRODUCT SPECIFICATION GS-12-239,  
INCLUDING TELCORDIA GR-1217-CORE (NOVEMBER 1995)  
CENTRAL OFFICE.  
PRESS-FIT TAILS: SEE TABLE
3. PRODUCT SPECIFICATION: GS-12-239
4. APPLICATION SPECIFICATION: GS-20-035
5. PRODUCT MARKING, (PART NUMBER & LOT CODE), ON THIS SURFACE
6. REFER TO CUSTOMER DRAWING 10035911 FOR INFORMATION REGARDING  
PCB LAYOUT OF POWER AND GUIDE MODULES RELATIVE TO SIGNAL MODULES
7. POSITIONS F OF ODD NUMBERED COLUMNS AND POSITIONS G  
OF EVEN NUMBERED COLUMNS CORRESPOND TO EARLY MATE HEADER PINS
8. THERE IS NO GROUND BUSSING WITHIN THE CONNECTOR SYSTEM
9. REFER TO CUSTOMER DRAWING 10045979 FOR INFORMATION ON PCB HOLE  
DIAMETERS AND PLATING OPTIONS.



A

B

C

D

10. THIS PRODUCT MEETS EUROPEAN UNION DIRECTIVES  
AND OTHER COUNTRY REGULATIONS AS DESCRIBED IN  
GS-22-008.
11. THE HOUSING WILL WITHSTAND EXPOSURE TO 260°C  
PEAK TEMPERATURE FOR 40 SECONDS IN A CONVECTION,  
INFRA-RED OR VAPOR PHASE REFLOW OVEN.
12. PACKAGING MEETS GS-14-920 LEAD FREE LABELING  
SPECIFICATION.



title	AirMax VS R/A HEADER ASSY	dwg no	10084586	Rev.	A
	PRESS-FIT, 72 POS, 14MM				
catalog no	-	CUSTOMER	sheet 5 of 5		

2