

PART NAME: HANDLE

SCALE: 1:1

DATE: 11/8/71

DR. BY NH



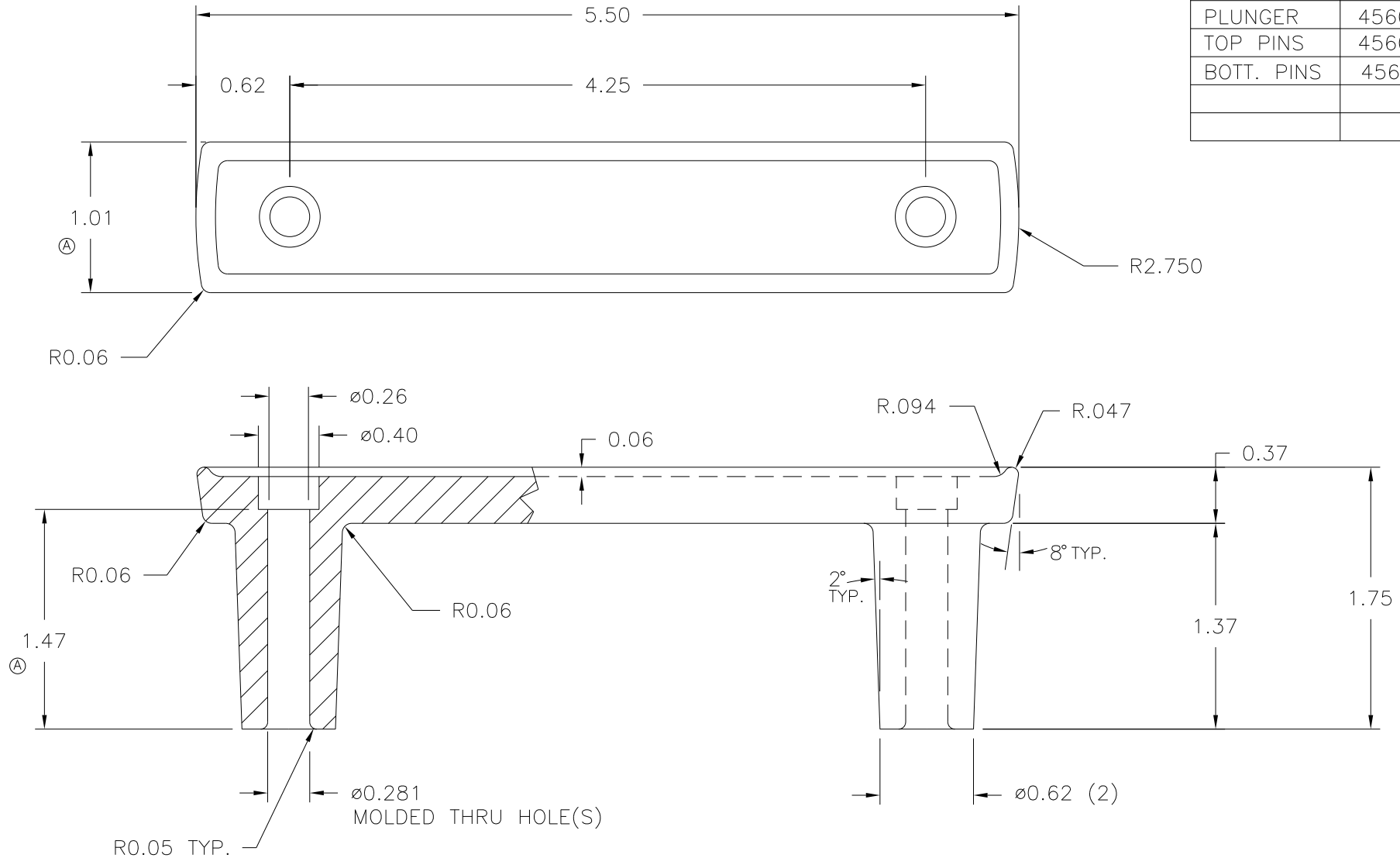
DESIGNERS & MANUFACTURERS
OF KNOBS, HANDLES, CASES &
CUSTOM PLASTIC COMPONENTS

P/N 4560

M NO. 4560

THIS DRAWING IS THE PROPERTY OF DAVIES MOLDING COMPANY, IS SUBMITTED SOLELY AS A DESIGN OR ENGINEERING PROJECT.
WE ACCEPT NO RESPONSIBILITY WHATSOEVER FOR THE PRACTICAL APPLICATION OF THE PIECES MADE TO THIS DESIGN.

CAVITY	4560
PLUNGER	4560
TOP PINS	4560
BOTT. PINS	4560



MATERIAL: #4311 PLENCO PHENOLIC (B41)
(HIGH-HEAT RESISTANCE)

COLOR: BLACK

TOLERANCES: UNLESS OTHERWISE SPECIFIED	DO NOT SCALE DRAWING				
DECIMALS: X.XXX ± .005 X.XX ± .015	MM: X.XX ± 0.15MM X.X ± 0.4MM	A	WAS 1.46, ADDED 1.01	TS	5/14/99
FRACTIONS ± 1/64	ANG. ± 1°	-	CAD/REDRAWN	HD	4/10/95
CHANGES					