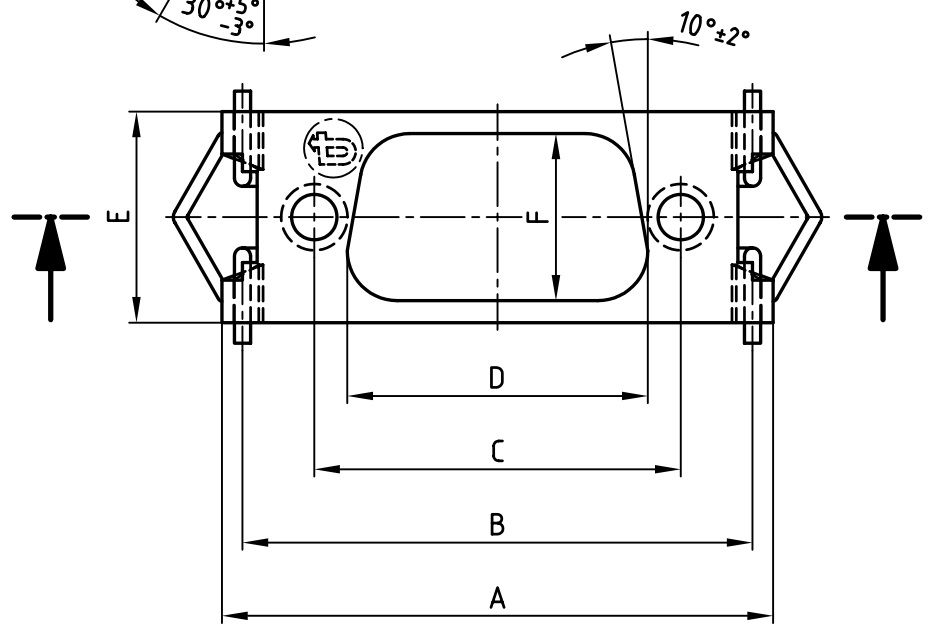
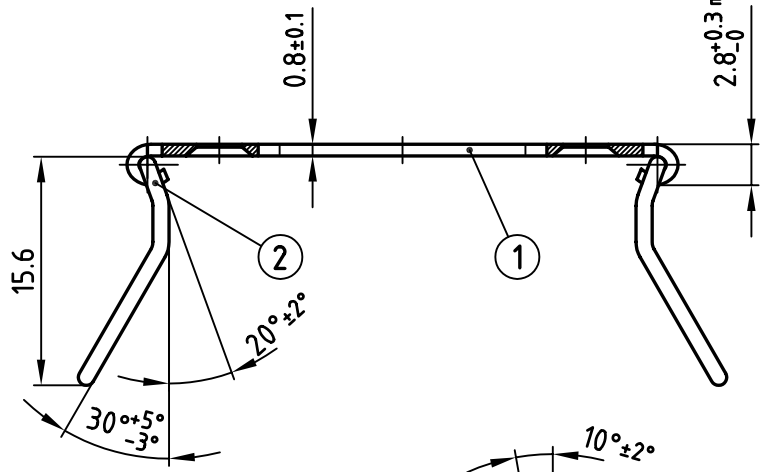
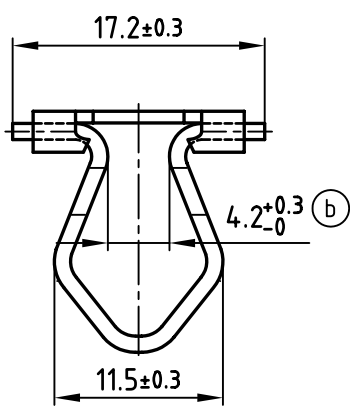


used for: D-SUB



Directive 2002/95/EC
"RoHS"
Compliant

POS.	A±0.2	B±0.3	C±0.15	D-0.2	E+0.2	F±0.1	Part-no.
9	37.60	34.30	25.00	20.50	14.40	11.40	799-102080
15	45.90	42.50	33.30	28.80	14.40	11.40	799-101180
25	59.60	56.40	47.00	42.50	14.40	11.40	799-101780
37	76.10	72.70	63.50	59.10	14.40	11.40	799-101980
50	73.70	70.70	61.10	56.30	17.10	14.10	799-101880

2	Spring steel bow	2	Stainless steel no. 1.4571
1	Base element	1	Stainless steel no. 1.4541 / 1.4571
quantity	part description	Item	material

THIS DRAWING MAY NOT BE COPIED OR REPRODUCED IN ANY WAY, AND MAY NOT BE PASSED ON TO A THIRD PARTY WITHOUT WRITTEN PERMISSION. OWNERSHIP AND COPYRIGHT OF CONEC GmbH DO NOT ALTER CAD DRAWING BY HAND	finish:	tolerance		scale:	2:1	
	black plating method Deltasil	ISO 7168-m		material:		
		2001	date	name	title: Base element with spring steel bow design D-SUB	
		drawn	14.02.	Parei		
		appd.	14.02.	E. Mickenbecker		
	norm	d-old			91.9.950.0018-5	
1 x b	Ä2675	26.02.2007	E.Mick.	dwg no:	AutoCAD 2000	
"a"	Ä 1236	20.02.2001	Parei	7992A001A		
rev.	description	date	name	part no:	SEE TABLE	



DIN-A
4
sh: 1/1