

THIS DRAWING IS UNPUBLISHED. RELEASED FOR PUBLICATION 1825032, 1825032
 © COPYRIGHT By - ALL RIGHTS RESERVED.

| LOC | | DIST | | REVISIONS | | | |
|-----|-----|---------------------------|--|-----------|-----|------|--|
| P | LTR | DESCRIPTION | | DATE | DWN | APVD | |
| | A2 | REVISED PER ECO-11-021742 | | 05NOV11 | KH | PO | |

- OPERATING TEMPERATURE: -20°C TO 80°C.
- STORAGE TEMPERATURE: -40°C TO 80°C.
- CONTACT TIMING: NON-SHORTING.
- CONTACT RATING: 0.4VA @ 20VDC.
- CONTACT RATING MAXIMUM: 50mA 48V AC/DC.
- CONTACT RATING MINIMUM: 1µA 20mV AC/DC.
- CONTACT PLATING: GOLD OVER NICKEL.
- FIXED CONTACT/TERMINAL: GOLD OVER NICKEL.
- FRAME PLATING: TIN OVER NICKEL.
- INITIAL CONTACT RESISTANCE: LESS THAN 50 MILLIOHMS PER EIA 364-23B.
- FINAL CONTACT RESISTANCE: 100 MILLIOHMS MAX PER EIA 364-23B.
- INSULATION RESISTANCE: 500 MEGOHMS MIN AT 250VDC PER EIA 364-21C.
- DIELECTRIC STRENGTH: 500VAC BETWEEN TERMINALS AND GROUND PER EIA 364-20B, CONDITION 1.
- VIBRATION PER EIA 364-28D, CONDITION VII, LEVEL E.
- MECHANICAL SHOCK PER EIA 364-27B, CONDITION A.

16. LIFE EXPECTANCY: ON-OFF ELECTRICAL SWITCHING OPERATIONS PER EIA 364-9C 10 CYCLES PER MINUTE AT THE FOLLOWING RATED LOAD.

| TYPE | MAXIMUM CONTACT RATING | 0.4 VA | MINIMUM CONTACT RATING |
|------|------------------------|--------------------|------------------------|
| D.E | 10000 (OPERATIONS) | 30000 (OPERATIONS) | 30000 (OPERATIONS) |

- ACTUATION FORCE: 70-500g PER EIA 364-13B.
- THERMAL SHOCK PER EIA 364-32C, -25°C TO 85°C.
- HUMIDITY-TEMPERATURE CYCLING PER EIA 364-31B, METHOD III.
- TEMPERATURE LIFE PER EIA 364-17B, METHOD B, TEMPERATURE TEST CONDITION 3, TIME CONDITION B.
- RESISTANCE TO SOLDER HEAT PER 109-202,CON B.
- SOLDERABILITY PER EIA 364-52, CLASS 2, CATEGORY 1.
- SEALED PER IEC 529, IP67.
- ALL MATERIALS AND FINISHES SHALL COMPLY WITH EU DIRECTIVE 2000/95/EC OF 27 JAN2003 (ROHS)

| | | |
|---------------|----------------|-------------------------|
| COLOR- BLACK | PA RESIN | SLIDE PLATE |
| COLOR- BLACK | PEI RESIN | BASE |
| OIL TREATED | PIANO WIRE | SPRING |
| COLOR- WHITE | PA RESIN | SLIDE PIN |
| - | SILICON RUBBER | ACTUATOR BOOT |
| 7 | PHOS BRONZE | MOVING CONTACT |
| 8 | PHOS BRONZE | FIXED CONTACT /TERMINAL |
| COLOR- YELLOW | PBT RESIN | ACTUATOR |
| 9 | BRASS | FRAME |
| COLOR- GRAY | PBT RESIN | CASE |
| FINISH | MATERIAL | PART DESCRIPTION |

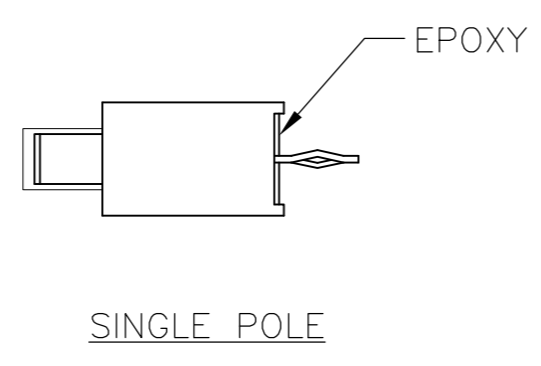
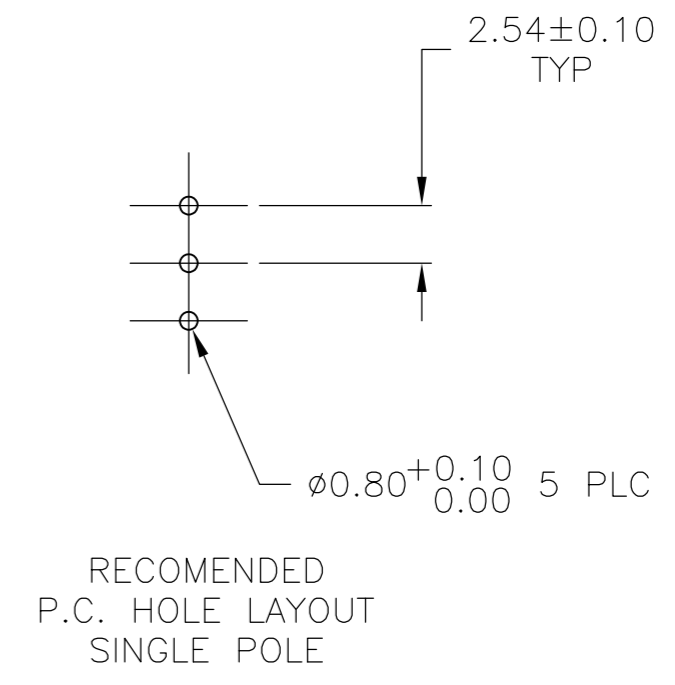
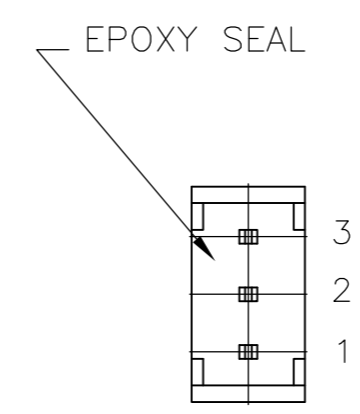
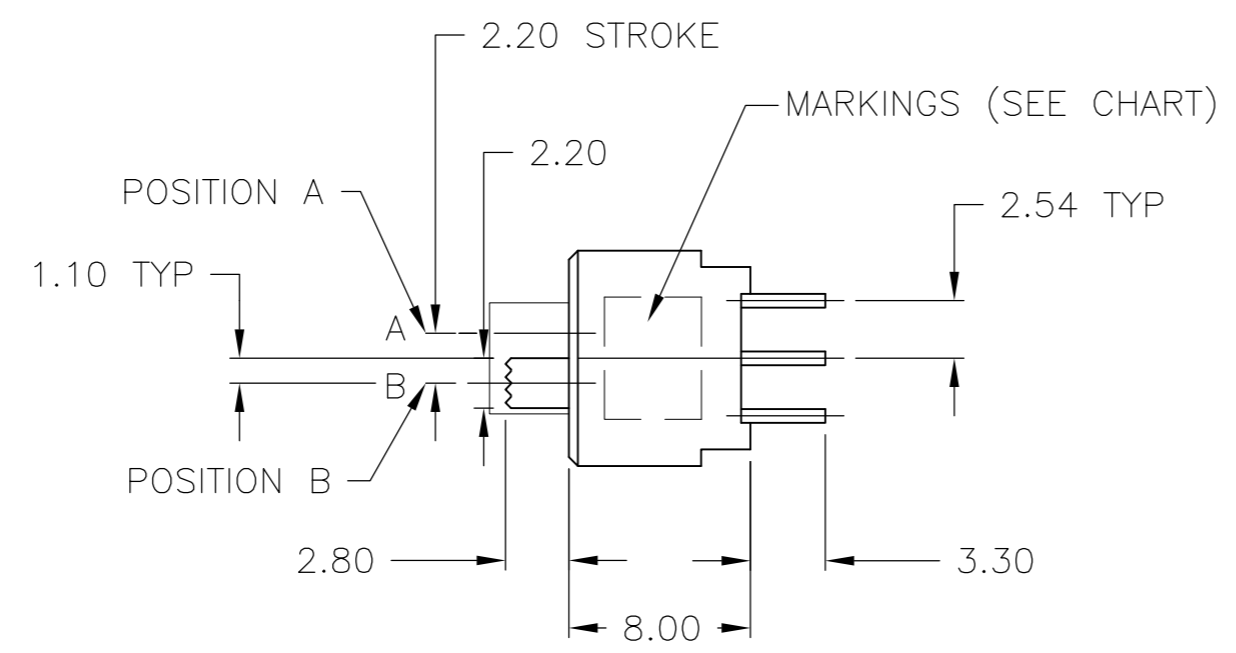
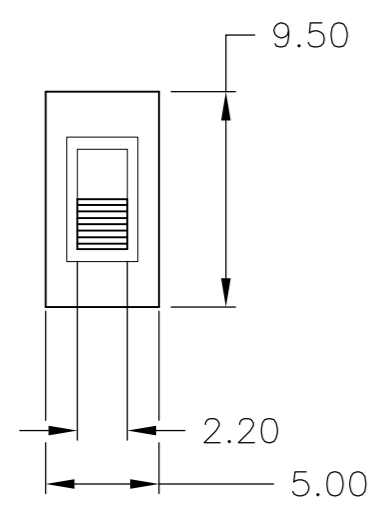
| | | | | | |
|-------------------------|------|--------------------|----------|------------------------|-------------|
| ON 2-3 5-6 | OFF | ON 2-1 5-4 | ALCO | SE2EGPC04 | 1825032-4 |
| ON 2-3 5-6 | NONE | ON 2-1 5-4 | ALCO | SE2DGP04 | 1825032-3 |
| ON 2-3 | OFF | ON 2-1 | ALCO | SE1EGPC04 | 1825032-2 |
| ON 2-3 | NONE | ON 2-1 | ALCO | SE1DGPC04 | 1825032-1 |
| TYCO POSITION A | TYCO | TYCO POSITION B | MARKINGS | ALCOSWITCH PART NUMBER | PART NUMBER |
| CIRCUIT ARRANGEMENT | | | | | |
| CIRCUIT CHARACTERISTICS | | | | | |

| | | | | |
|--|--------|------------------|----------------|--------------|
| THIS DRAWING IS A CONTROLLED DOCUMENT. | | DWN | B.S.VISWESWARA | 03MAR05 |
| DIMENSIONS: mm | | CHK | M.S.SARVER | |
| TOLERANCES UNLESS OTHERWISE SPECIFIED: | | APVD | | |
| 0 PLC ± - | | PRODUCT SPEC | | |
| 1 PLC ± - | | APPLICATION SPEC | | |
| 2 PLC ± 0.25 | | | | |
| 3 PLC ± - | | | | |
| 4 PLC ± - | | | | |
| ANGLES ± 0°30' | | | | |
| MATERIAL | FINISH | WEIGHT | - | |
| | | | - | |
| CUSTOMER DRAWING | | SCALE | 1:1 | SHEET 1 OF 2 |
| | | REV | A2 | |

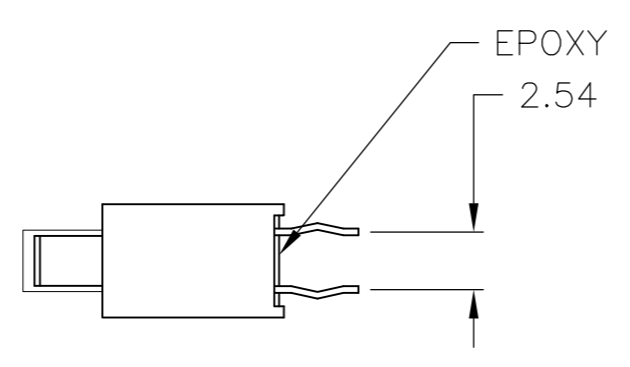
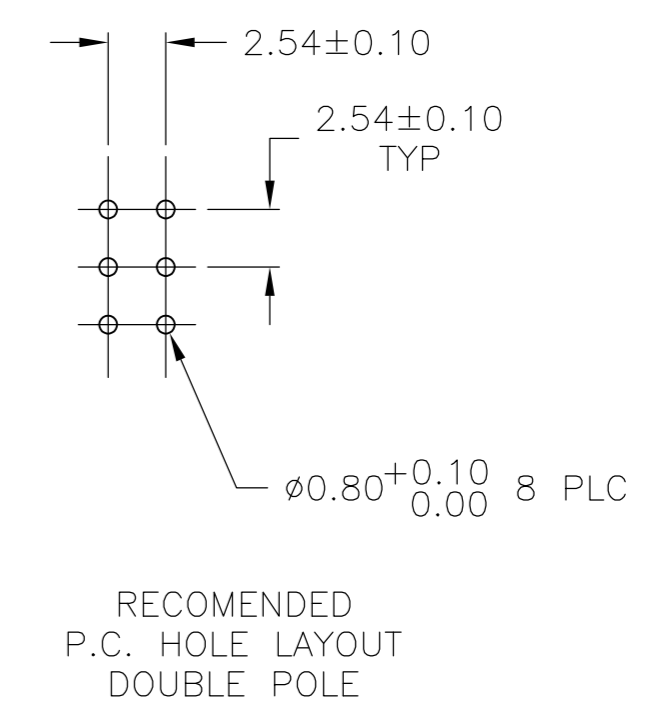
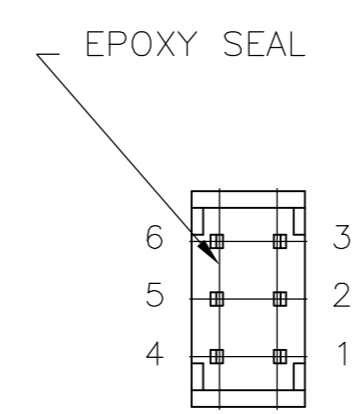
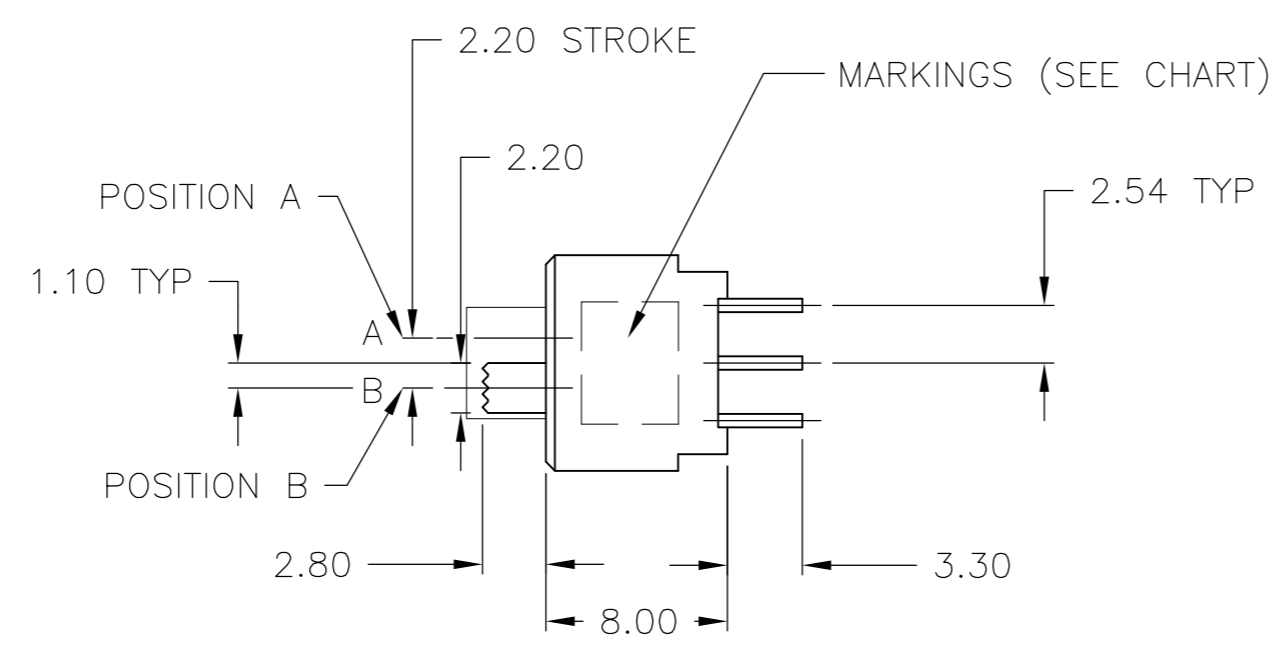
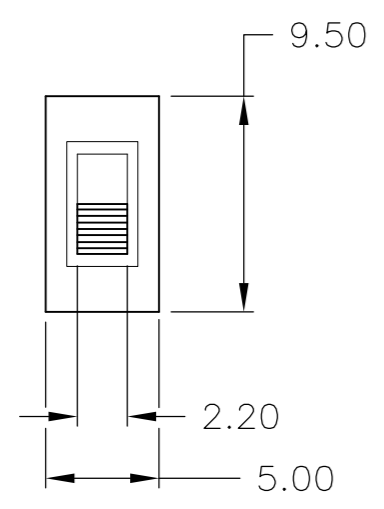


THIS DRAWING IS UNPUBLISHED. RELEASED FOR PUBLICATION 1825032, 1825032
 © COPYRIGHT 1825032y - ALL RIGHTS RESERVED.

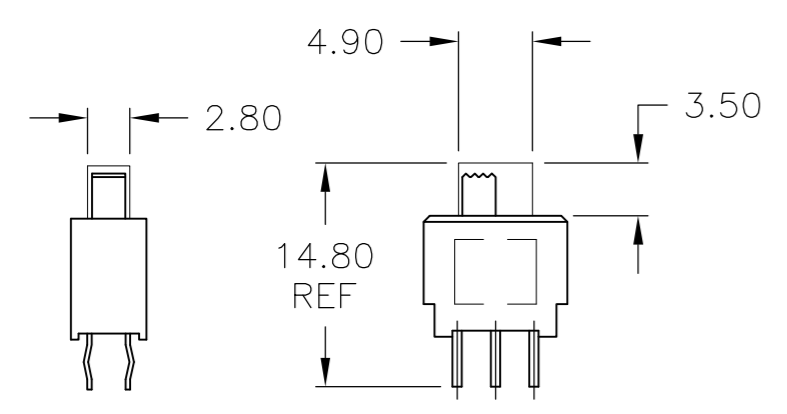
| LOC | DIST | REVISIONS | | | |
|-----|------|-------------|------|-----|------|
| P | LTR | DESCRIPTION | DATE | DWN | APVD |
| AD | 00 | SEE SHEET 1 | - | - | - |



SINGLE POLE



DOUBLE POLE



ACTUATOR BOOT DIMENSIONS SCALE 2:1

| | | | | | |
|--|--|-----------------------|-----------|---------------------------------|---------------|
| THIS DRAWING IS A CONTROLLED DOCUMENT. | | DWN B.S.VISWESWARA | 03MAR05 | TE TE Connectivity | |
| DIMENSIONS: mm | | CHK M.S.SARVER | APVD - | | |
| TOLERANCES UNLESS OTHERWISE SPECIFIED: | | PRODUCT SPEC | | SWITCH, SLIDE, SEALED SE(**)GPC | |
| 0 PLC ± - | | APPLICATION SPEC | | SIZE | RESTRICTED TO |
| 1 PLC ± - | | - | | A2 | - |
| 2 PLC ± 0.25 | | - | | CAGE CODE | DRAWING NO |
| 3 PLC ± - | | - | | - | 1825032 |
| 4 PLC ± - | | - | | SCALE | SHEET |
| ANGLES ± 0°30' | | WEIGHT | | 3:1 | 2 of 2 |
| FINISH | | CUSTOMER DRAWING | | REV | A2 |