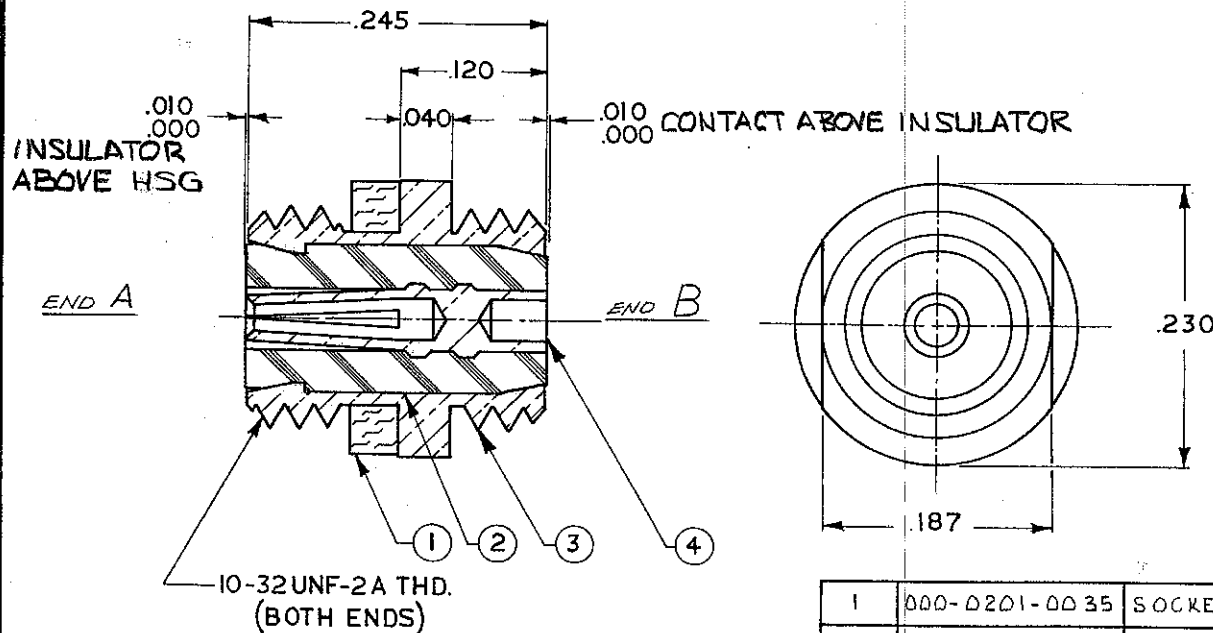


REVISIONS

SYM	ECO	DESCRIPTION	DATE	APPROVED
J	REVIS	REDRAWN ECO 11478	7/16/70	
K	003-0345-0001	002 000-0301-0029 ECO 13660	9/22/71	
L	14247	ITEM 2 000-0301-0029 HAS 003-0345-0001	3/17/72	
M	REV. LETTER	UP. DATED ECO 16680	3/17/75	
N	2972B	UPDATE DWG.	10/14/85	
P	39388	UPDATE REV. LETTER.	9/20/89	
R	43364	CLARIFY .000/.010 2 PLS	1/5/7	AW



Tyco Customer Drawing 1466287

QTY. REQD.	PART NO.	NOMENCLATURE OR DESCRIPTION	MATERIAL & SPECIFICATION	ITEM NO.
1	000-0201-0035	SOCKET CONTACT	BERYLLIUM COPPER PER QQ-C-530	4
1	003-0015-0001	HOUSING	BRASS PER QQ-B-626	3
1	000-0301-0083	INSULATOR	TEFLON PER L-P-903	2
1	003-0268-0001	GASKET	SILICONE RUBBER, 22-R-765	1

NOTES: UNLESS OTHERWISE SPECIFIED.

- CONTACT AND INSULATOR MUST BE INSERTED SEPARATELY FROM END 'A' OF CONNECTOR.
- HOUSING IS SILVER PLATED .0002-.0004 PER QQ-S-365 TYPE II, GRADE A.
- SOCKET CONTACT IS GOLD PLATED PER MIL-G-45204, TYPE II, CLASS I.
- THIS CONNECTOR MATES WITH ALL PLUGS IN S-50 SERIES AS LISTED IN MICRODOT CATALOG.
- INSULATION RESISTANCE 5.0×10^3 MEGOHMS MIN.
- WORKING VOLTAGE - 750 VOLTS R.M.S.

LIST OF MATERIAL OR PARTS LIST			
UNLESS OTHERWISE SPECIFIED		DRAWN	BB
DIMENSIONS ARE IN INCHES		CHECK	
TOLERANCES		PR. ENG.	Z.K.J.
DECIMALS	FRACTIONS	CHF. ENG.	
.XX ±		MATERIAL	NOTED
.XXX ±	±	SIZE	B
.XXX ±		CODE IDENT.	NO. 98278
ANGLES ±		PROD CODE	031-0003-0001
SURFACE TREATMENT		CODE C.D.M.	931
NOTED		SCALE	10X
TOP ASSY.	DO NOT SCALE THIS DWG	WT	