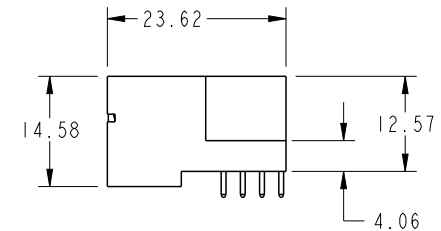
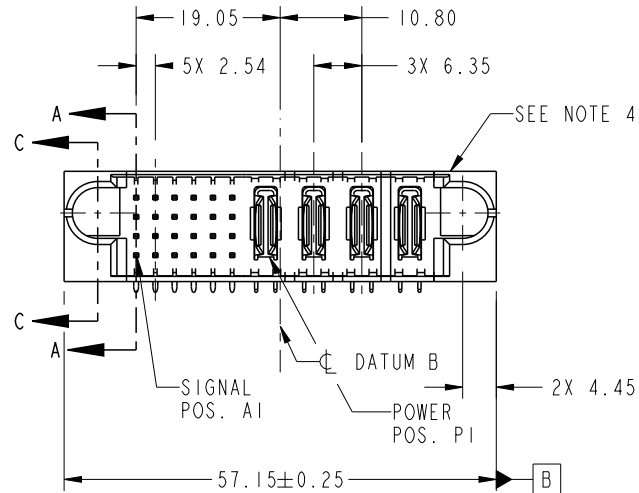


PRODUCT NO.	ROWS	SIGNAL					POWER				E2	
		E1	1	2	3	4	5	6	P1	P2		P3
51939-631-- NOTE 3	D C B A		UUUUUUU	TTTTTTTT	SSSSSSS	RRRRRRR		PA	PA	PA	PA	

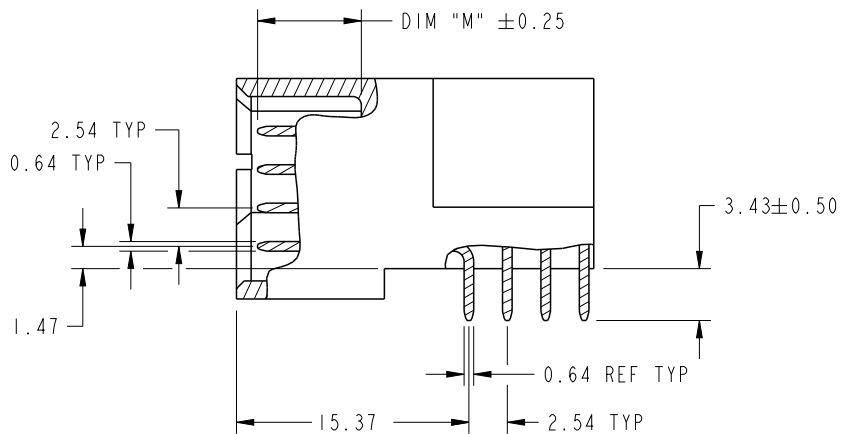


CODE	DIM "M" MATING LENGTH	CONTACT TYPE
U	[6.86]	SIGNAL
T	[6.86]	SIGNAL
S	[6.86]	SIGNAL
R	[6.86]	SIGNAL
PA	[N/A]	POWER
E	[5.59]	SIGNAL

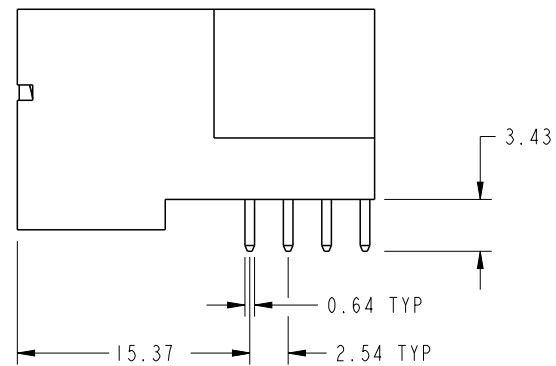
spec ref	SEE NOTES			dr	Guang, Shi	2011/11/09	projection 	MM 	size	A4	scale	1:1
tolerance std	TOLERANCES UNLESS OTHERWISE SPECIFIED			eng	Guang, Shi	2011/12/30			ecn no	-		
SEE NOTES				chr	-	-			rel level	Released		
surface <input checked="" type="checkbox"/>	linear	0.X	±0.50		title	24S + 4P		dwg no	51939-631		rev	A
		0.XX	±0.25			RIGHT ANGLE SOLDER HEADER						
		0.XXX	±0.10			cat. no.	Product - Customer Drw		sheet 1 of 4			
angular	0°	±2°	www.fci.com									

PRODUCT NUMBER

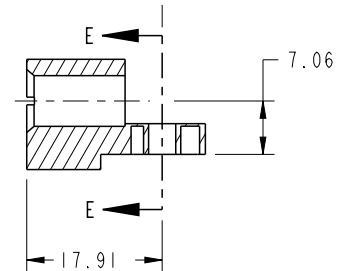
51939-631\_\_  
NOTE: 3



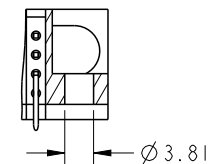
BROKEN-OUT SECTION A-A  
SCALE 2:1



SCALE 2:1



SECTION C-C

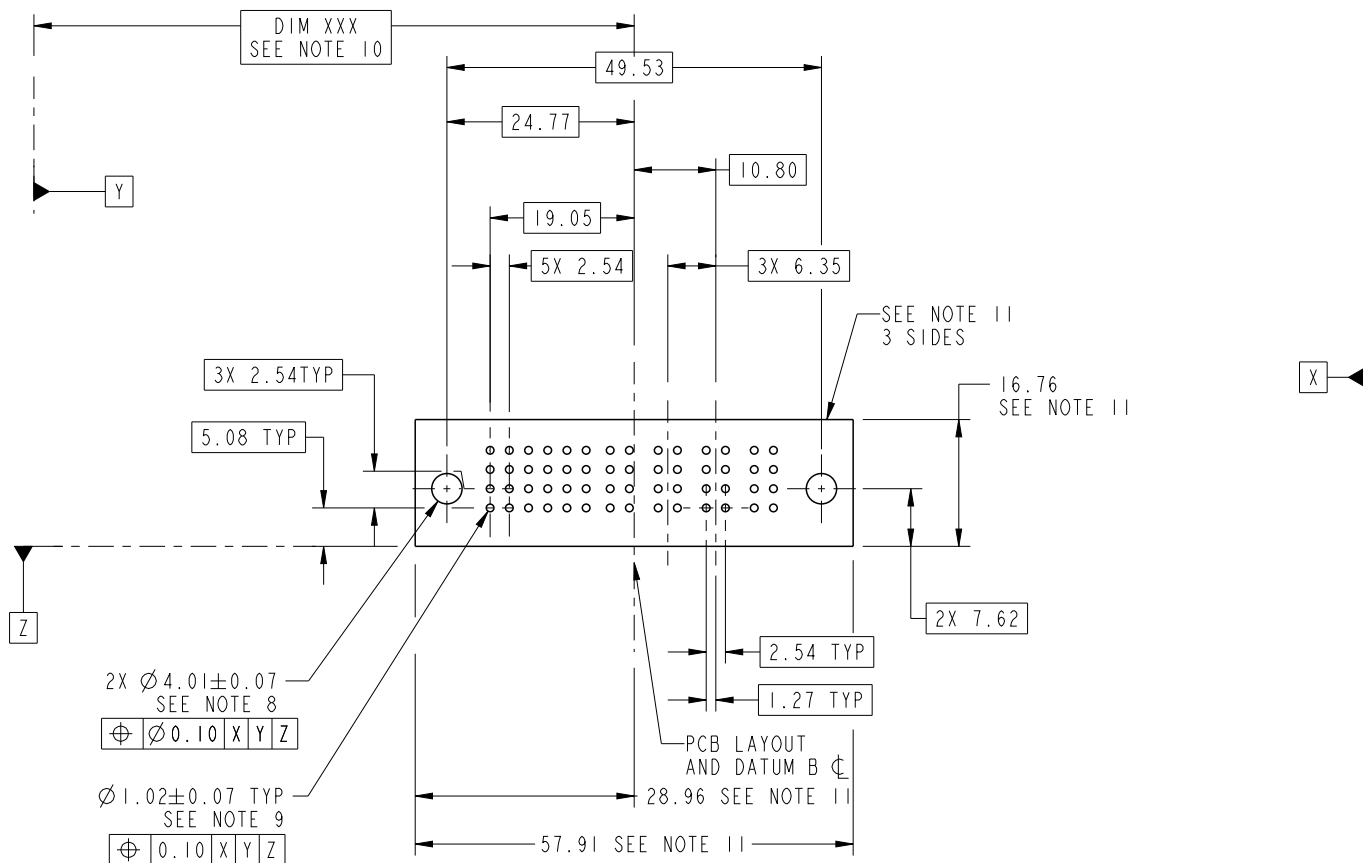


PARTIAL SECTION E-E

dr	Guang, Shi	2011/11/09	projection 	MM 	size	A4	scale	1:1
eng	Guang, Shi	2011/12/30			ecn no	-		
chr	-	-			rel level	Released		
appr	Pei-Ming Zheng	-	product family	PwrBlade	rev	A		
		title 24S + 4P RIGHT ANGLE SOLDER HEADER	dwg no 51939-631	www.fci.com	cat. no.	Product - Customer Drw	sheet 2 of 4	

PRODUCT NUMBER

51939-631\_\_  
NOTE: 3



2X  $\varnothing 4.01 \pm 0.07$   
SEE NOTE 8  
 $\varnothing 0.10$  X|Y|Z

$\varnothing 1.02 \pm 0.07$  TYP  
SEE NOTE 9  
 $\varnothing 0.10$  X|Y|Z

RECOMMENDED PCB LAYOUT

dr	Guang, Shi	2011/11/09	projection 	MM 	size	A4	scale	1:1		
eng	Guang, Shi	2011/12/30			ecn no	-				
chr	-	-			rel level	Released				
appr	Pei-Ming Zheng	-	product family	PwrBlade	rev	A				
		title	24S + 4P RIGHT ANGLE SOLDER HEADER		dwg no	51939-631	www.fci.com	cat. no.	Product - Customer Drw	sheet 3 of 4

PRODUCT NUMBER

51939-631\_\_  
NOTE: 3

NOTES:

1. DIMENSIONS AND TOLERANCES ARE IN ACCORDANCE WITH ASME Y14.5M, 1994 UNLESS OTHERWISE SPECIFIED.

CONNECTOR NOTES:

- 2. HOUSING MATERIAL: UL 94 V-0 GLASS FILLED HIGH-TEMP THERMOPLASTIC  
POWER CONTACT MATERIAL: COPPER ALLOY  
SIGNAL PIN MATERIAL: COPPER ALLOY
  - 3. SEE ITEM 1 & 2 IN PRINT 10064183 FOR PLATING SPEC OF 51939-631 AND 51939-631LF RESPECTIVELY.
  - 4. MANUFACTURER'S NAME, DATE CODE AND OPTIONAL P/N TO APPEAR ON THIS SURFACE. THE P/N CAN BE OMITTED IF THERE IS NOT ENOUGH SPACE ON THIS SURFACE.
  - 5. PRODUCT SPECIFICATION GS-12-149.  
APPLICATION SPECIFICATION BUS-20-067.
  - 6. PACKAGED IN TRAYS.
- PCB NOTES:
- 7. ALL HOLE DIAMETERS ARE FINISHED HOLE SIZE.
  - 8. MOUNTING HOLES, WHERE APPLICABLE, ARE UNPLATED.
  - 9.  $\varnothing 1.151 \pm 0.025$  DRILLED HOLES PLATED WITH  
0.008 MIN SnPb OR Sn OVER 0.03  
TO 0.08 Cu PLATING TO ACHIEVE  
 $\varnothing 1.02 \pm 0.07$  HOLE.
  - 10. "DIM XXX" TO BE DETERMINED BY THE CUSTOMER.
  - 11. CONNECTOR KEEP-OUT ZONE.

dr	Guang, Shi	2011/11/09	projection 	MM 	size	A4	scale	1:1			
eng	Guang, Shi	2011/12/30			ecn no	-					
chr	-	-			product family	PwrBlade	rel level	Released			
appr	Pei-Ming Zheng	-			title	24S + 4P		dwg no	51939-631	rev	A
www.fci.com		cat. no.	Product - Customer Drw			sheet 4 of 4					