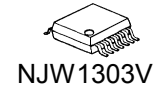


SYNCHRONOUS SEPARATOR WITH COUNT DOWN

GENERAL DESCRIPTION

The NJW1303 is a synchronous separator performs Horizontal and Vertical synchronous signal from composite video signals. It contains count down circuit for H,V keeping high sync separation in the weak signal. It is suitable for car navigation and LCD TV.

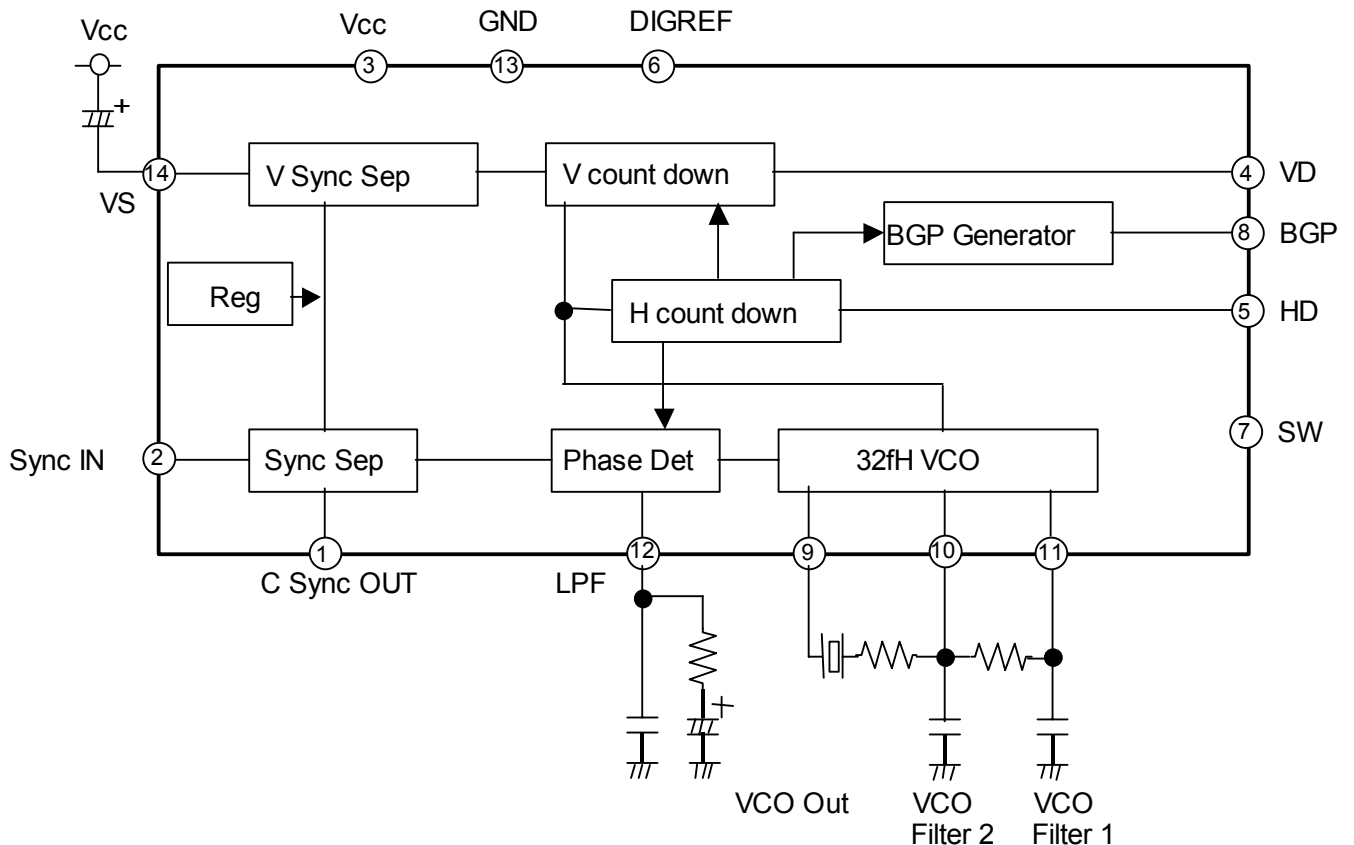
PACKAGE OUTLINE



FEATURES

- Operating Voltage $V^+ = 2.7V$ to $5.3V$
- Operating Current $5mA$ typ. at $V^+ = 5V$
- Output for HD,VD,C sync
- unnecessary adjustment of oscillation frequency for internal count down circuit
- Internal BGP
- Bi-CMOS Technology
- Package Outline SSOP14

PIN FUNCTION, BLOCK DIAGLAM



NJW1303

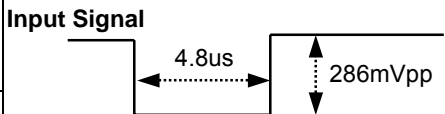

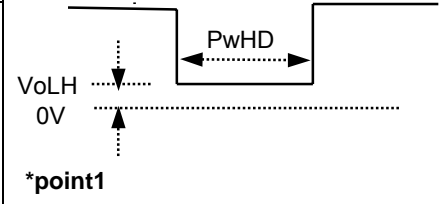
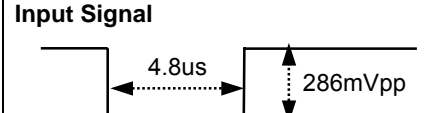
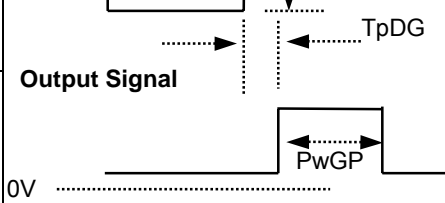
■ ABSOLUTE MAXIMUM RATINGS (Ta=25°C)

PARAMETER	SYMBOL	RATINGS	UNIT
Supply Voltage	V ⁺	8.0	V
Power Dissipation	P _D	300	mW
Operating Temperature Range	T _{opr}	-40 to +85	°C
Storage Temperature	T _{stg}	-40 to +125	°C

■ RECOMMENDED OPERATING CONDITION

PARAMETER	SYMBOL	RATINGS	UNIT
Supply Voltage	V _{opr}	2.7 to 5.3	V

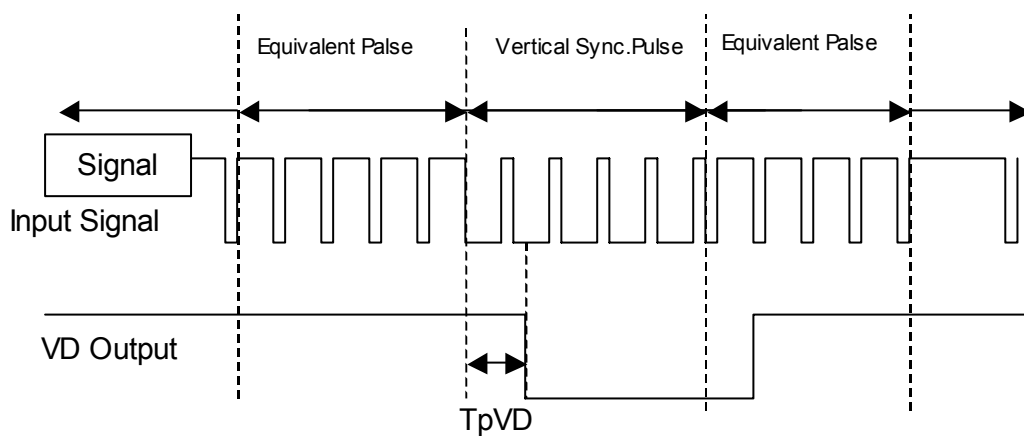
■ ELECTRICAL CHARACTERISTICS (V⁺=5V, Ta=25°C)

PARAMETER	SYMBOL	TEST CONDITION	MIN.	TYP.	MAX.	UNIT
Operating Current	I _{CC}	No input signal	3.3	5.0	7.5	mA
AFC Free Run Frequency	f _{OH}	Measure the Input connect to GND under 300ohm	15.654	15.734	15.814	kHz
AFC Lock Range	Δf _{HL1}	Miss lock to high frequency	+600	+700	-	Hz
	Δf _{HL2}	Miss lock to Low frequency	-	-700	-600	
AFC Capture Range	Δf _{HP1}	Capture from high frequency	+600	+700	-	Hz
	Δf _{HP2}	Capture from Low frequency	-	-700	-600	
Horizontal Output Pulse Width	PwHD	<p>Input Signal</p> 	3.5	3.9	4.3	us
Horizontal Output Delay	TpDH	<p>Output Signal</p> 	0.48	0.64	0.8	us
Horizontal Output Saturation Level	VoLH	 <p>*point1</p>	-0.2	0.1	0.3	V
Horizontal AFC Keep Limit Input	V _{INGM}	Input is Color Bar of 1Vpp, and Horizontal signal of 4.8 uS pulth width. ATT less of miss lock Sync at valuabe of input signal level.	-	-	-20	dB
BGP Pulse Width	PwGP	<p>Input Signal</p> 	3.1	3.6	4.1	us
BGP Delay	TpDG	<p>Output Signal</p>  <p>*point1</p>	0.35	0.6	0.85	us
BGP Limit Input	V _{MINBGP}	Input is Color Bar of 1Vpp, and Horizontal signal of 4.8 uS pulth width. ATT less of changeable BGP output at less of input signal level.	-	-	-17	dB

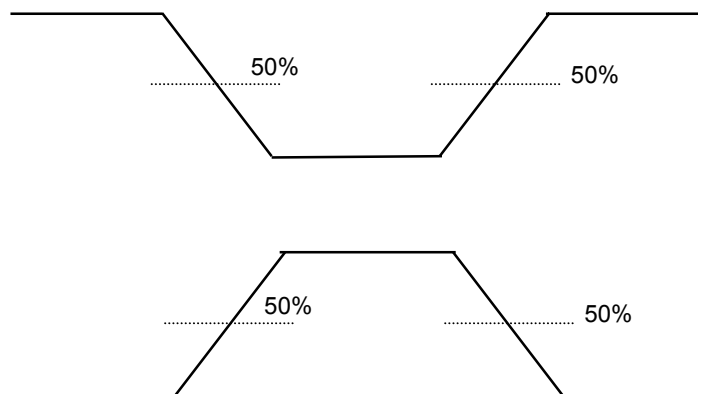
■ ELECTRICAL CHARACTERISTICS ($V^+=5V, T_a=25^\circ C$)

PARAMETER	SYMBOLS	TEST CONDITIONS	MIN.	TYP.	MAX.	UNIT
Vertical Output Pulse Width	PwVD	*point	2.5	3.0	3.5	H
Vertical Output Delay	TpVD		0.47	0.66	0.85	H
Vertical Output Saturation Level	V _{LVD}	Low level of Vertical output	-	0.2	0.5	V
C.SYNC Output Delay	TpCS		0.32	0.5	0.64	us
C.SYNC Output Saturation Voltage	V _{LCS}		-	0.2	0.5	V

***point**



***When measure of pulse timing**



■ EQUIVALENT CIRCUIT

No.	NAME	INSIDE EQUIVALENT CIRCUIT	No.	NAME	INSIDE EQUIVALENT CIRCUIT
1	Csync. Out		10	VCO Filter 2	
2	Sync. In		11	VCO Filter 1	
3	Vcc	_____	12	LPF	
4 5 7 8	VD HD SW BGP		6 13	DIGREF GND	_____
9	VCO Out		14	VS	

MEMO

[CAUTION]

The specifications on this databook are only given for information, without any guarantee as regards either mistakes or omissions. The application circuits in this databook are described only to show representative usages of the product and not intended for the guarantee or permission of any right including the industrial rights.

Mouser Electronics

Authorized Distributor

Click to View Pricing, Inventory, Delivery & Lifecycle Information:

[NJR:](#)

[NJW1303V-TE1](#) [NJW1303V-TE2](#)