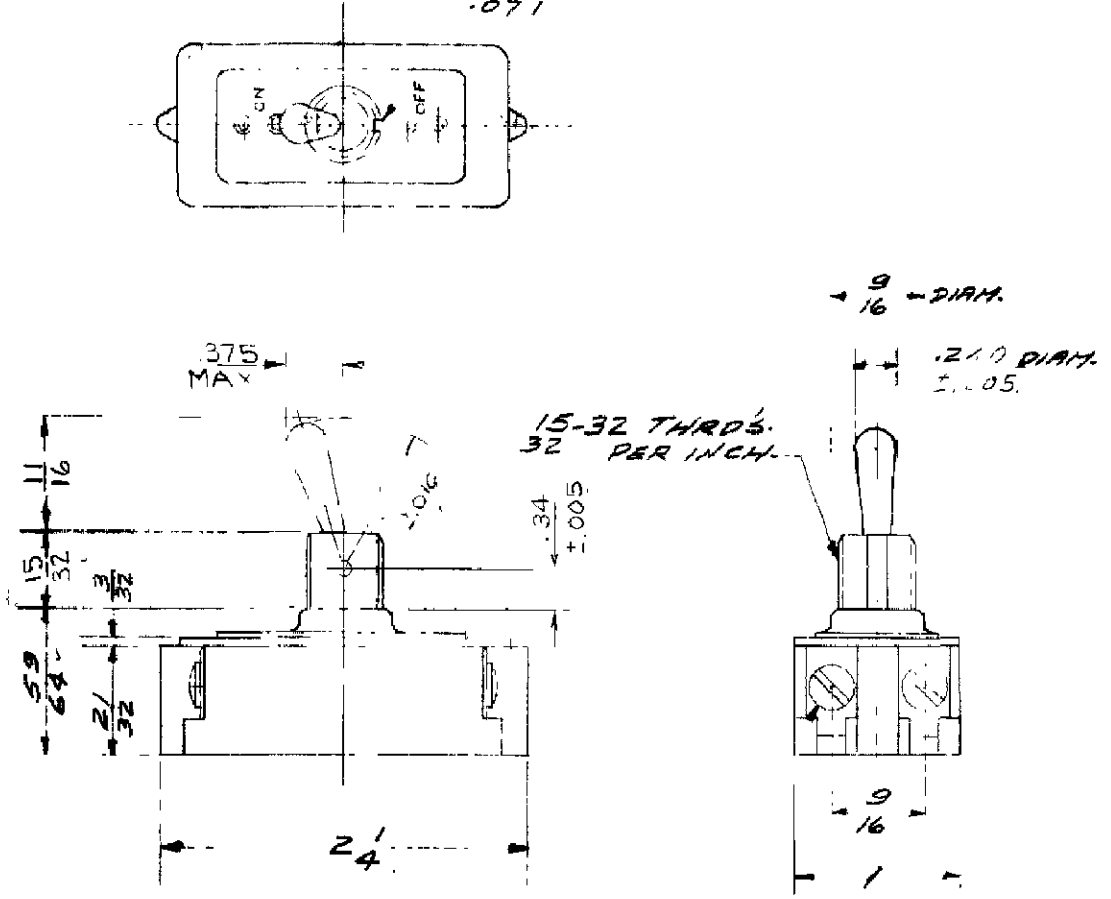


A 90-3144

RAW MAT. SPEC. WITH
PART NO. AND AMOUNT REQ'D.

*.068 X .035" DEEP KEYWAY.
.071*



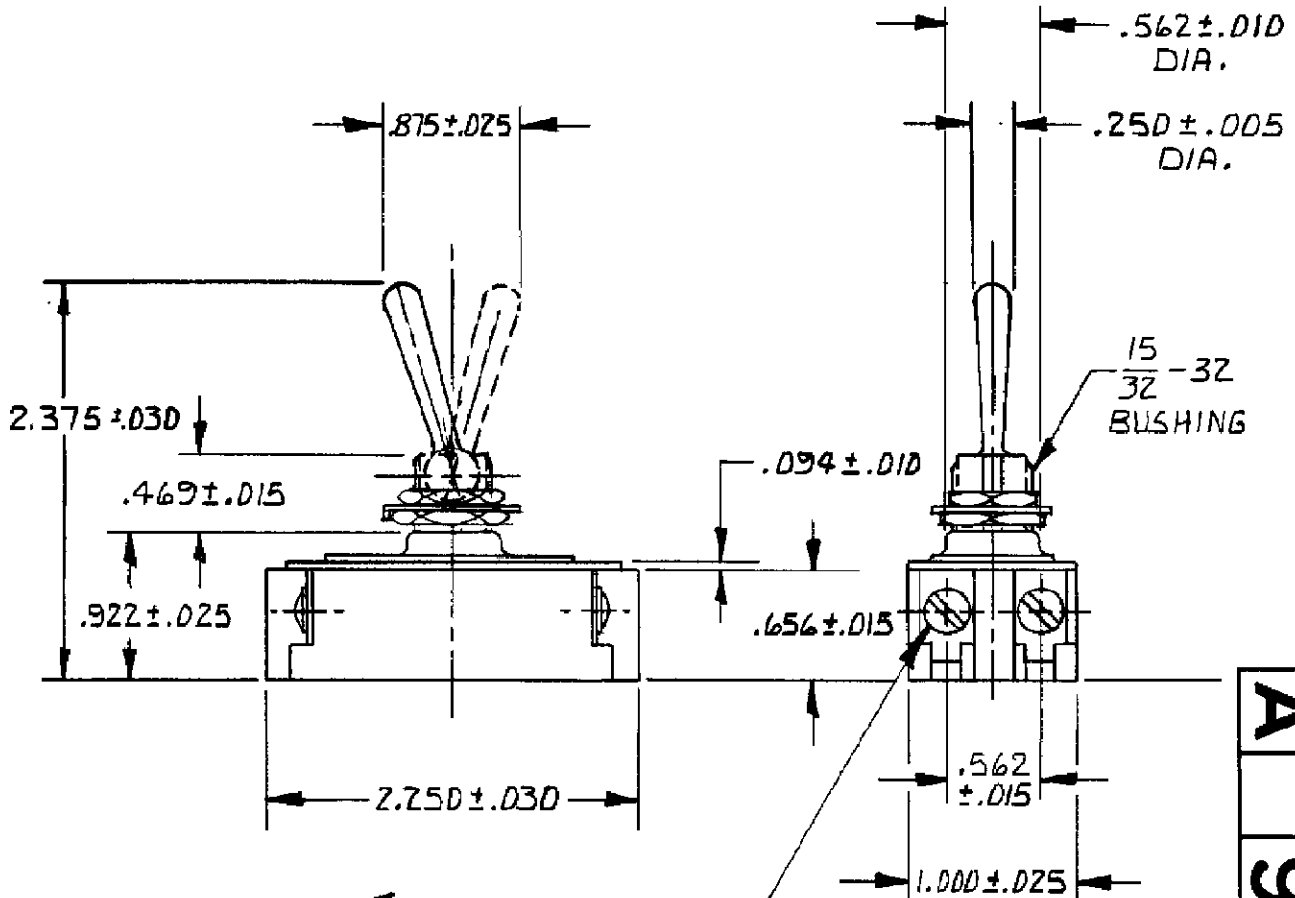
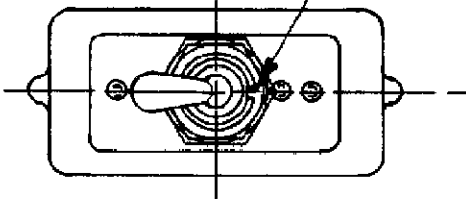
*A-#6-32 BINDING—
HEAD SCREWS 1/4" LONG*

BULLETIN						
<i>DIMENSIONS FOR 10 AMP. 250 V. ONE HOLE MTG. TOOL HANDLE SM.</i>						
A	G.F.L.	G.G.	2-8 62	DR. R. ARTIN	3-30 -61	FIRST ASSEM. WHERE LISTED A90-3143
B				CHK. L. SOTO 2/31/61		SUP. S. NON-INTERCHANGEABLE
C				APPROV. J.E. BURGESS 4/27		SUP. D BY NON-INTERCHANGEABLE
D				DO NOT SCALE DRAWING. WORK ACCORDING TO DIMENSIONS.		SURFACE COATING
E				STANDARD TOLERANCES 50-275 APPLY TO DIMENSIONS FOR WHICH TOLERANCES ARE NOT SPECIFIED.		SCALE 1" = 1"
F				ORDER NO.		
CUTLER-HAMMER, INC. MILWAUKEE NEW YORK				8 23 LI 57A	A 90-3144	

NOTES:

1. SCREWS, WASHER AND HEX NUTS SHIPPED UNASSEMBLED.

$.072^{+.003}_{-.004} \times .035$ DEEP KEYWAY



#6 - 32 BINDING HEAD SCREWS
 .250 LONG
 QUANTITY OF 4



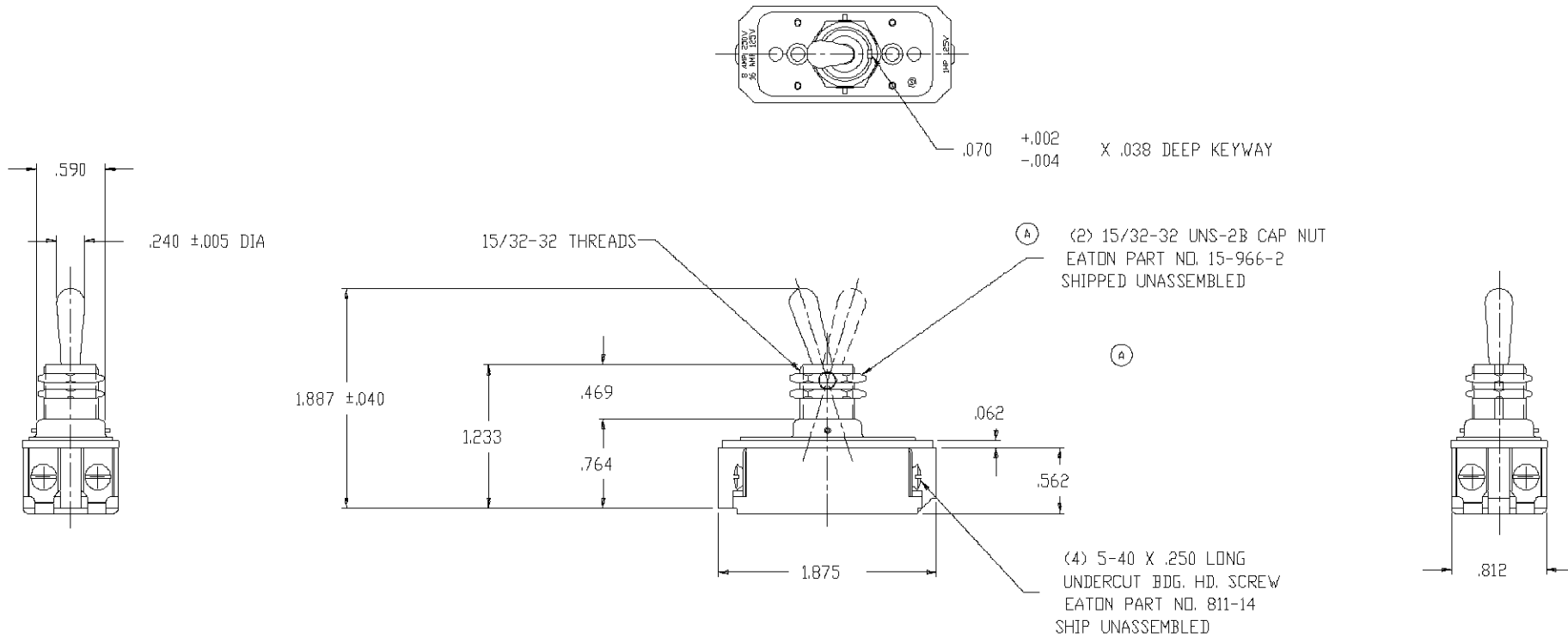
TITLE DIMENSIONS FOR 10-20A TOGGLE WITH LEVER SEAL

ORDER NO. 910DN 76

BASIC SPECS. SUMMARY

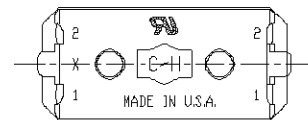
A		DR. G. STORY	12/1/84	APP. <i>[Signature]</i> 12/1/84
B		CHK. <i>C. Maschino</i>	12/1/84	FIRST ASSEM. WHERE LISTED
C		Cutler-Hammer F.T.N. Electrical / Electronic Control		

A 90-12054



NOTE:

- 1. UNLESS OTHERWISE SPECIFIED ALL TOLERANCES TO BE ±.016.



TITLE: DIM DWG FOR 8910K223			
DR. W. HANSON	2/1/92	SURFACE COATING	FIRST ASSEM. WHERE LISTED 8910K223
CHK. W. LEONARD	2/3/92	SCALE	SUP'S
APP. M.R. DUMMER	2/3/92	DO NOT SCALE DRAWING	SUP'D BY

ORDER NO. 93719990		6/29/94			
A	REMOVED 15-192 NUT NOTE, ADDED "(2)" TO 15-966-2 NUT NOTE.	93719990		D	
B				E	
C				F	