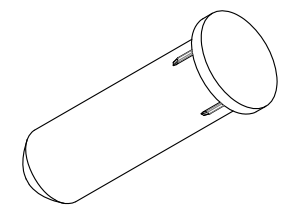
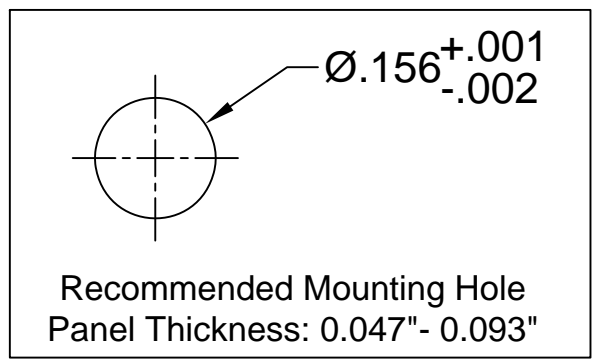

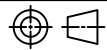


REV.	DESCRIPTION	DATE	APPROVED
A	Engineering Release	07/15/15	J. C.
B	Added Color Options, Sheet #2	01/25/16	J. C.

Part No.	X = Body Length
PLW5-125	0.125 ( 3.2mm )
PLW5-188	0.188 ( 4.8mm )
PLW5-250	0.250 ( 6.4mm )
PLW5-313	0.313 ( 7.9mm )
PLW5-375	0.375 ( 9.5mm )
PLW5-500	0.500 ( 12.7mm )
PLW5-3MM	3mm ( 0.118" )
PLW5-4MM	4mm ( 0.157" )
PLW5-5MM	5mm ( 0.197" )
PLW5-6MM	6mm ( 0.236" )
PLW5-7MM	7mm ( 0.276" )
PLW5-8MM	8mm ( 0.315" )
PLW5-9MM	9mm ( 0.354" )
PLW5-10MM	10mm ( 0.394" )



- 2. MATERIAL: POLYCARBONATE, 94V-0, CLEAR.
- 1. GENERAL SPECIFICATIONS: BIVAR MOLDED COMPONENT SPECIFICATION BV00-E101 and BSMC-1001.

STANDARD TOLERANCE ( UNLESS OTHERWISE SPECIFIED )		 4 THOMAS, IRVINE, CA. 92618 TEL: (949) 951-8808 FAX: (949) 951-3974		
DECIMALS	ANGULAR			
.X ± .1	X° ± 1°		TITLE: WIDE CAPTURE LIGHT PIPE, 5mm LOW PROFILE ROUND	
.XX ± .01			PART NO: PLW5-XXX	REVISION: B
.XXX ± .005			CAGE CODE : 32559	SHEET # 1 OF 2
DESIGNED: <b>Brian Oliver</b>	DATE: <b>04/24/15</b>	CHECKED: <b>A. Wright</b>	DATE: <b>04/24/15</b>	CAD GENERATED DOCUMENT. DO NOT MEASURE DRAWING.

**OTHER AVAILABLE COLORS**

\* SEE TABLE FOR ORDERING INFORMATION

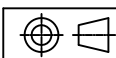
REV.	DESCRIPTION	DATE	APPROVED
	SEE SHEET #1		



COLOR	Order Code
BLUE	BE
BLACK	BK
GREEN	GN
GRAY	GY
RED	RD
YELLOW	YW

NOTE: LEAVE ORDER CODE BLANK IF NO COLOR IS DESIRED.

3. PARTS ARE DYED TO COLOR UPON REQUEST.

STANDARD TOLERANCE ( UNLESS OTHERWISE SPECIFIED ) DECIMALS      ANGULAR		<b>BIVAR</b> <sup>®</sup> 4 THOMAS, IRVINE, CA. 92618 TEL: (949) 951-8808    FAX: (949) 951-3974	
		 <b>TITLE: WIDE CAPTURE LIGHT PIPE, 5mm LOW PROFILE ROUND</b>	
DESIGNED: <b>K. Aukshunas</b>	DATE: <b>01/25/16</b>	<b>PART NO:</b> PLW5-XXX	REVISION: <b>B</b>
CHECKED: <b>J. Chiang</b>	DATE: <b>01/25/16</b>	<b>CAGE CODE : 32559</b>	<b>SHEET # 2 OF 2</b>
<small>CAD GENERATED DOCUMENT. DO NOT MEASURE DRAWING.</small>			