



Evaluation Kit CeraPlas HF

Driver for CeraPlas™ series

Series/Type:	Evaluation Kit - CeraPLas™ HF Cold Plasma Source
Ordering code:	Z63000Z2910Z 1Z61
Date:	2018-09-04
Version:	7

© EPCOS AG 2018. Reproduction, publication and dissemination of this publication, enclosures hereto and the information contained therein without EPCOS' prior express consent is prohibited.

EPCOS AG is a TDK Group Company.

Preliminary data

Content of evaluation kit / CeraPlas HF cold plasma source

- Driver circuit for CeraPlas series
- CeraPlas HF with Package, with wires and two pins connector
- Copy of Datasheet for CeraPlas HF and the user guide for the driver circuit

Specifications/Features

- 24 V single supply
- Approximately 4.5 W CeraPlas input power by default, selectable from approx. 2 to 7 W by software
- Driver supports CeraPlas HF
- Automatic frequency control with resolution in the range of mHz
- Phase control with resolution of at least 1°

Introduction

The CeraPlas driving circuit is intended to show the operating principle of CeraPlas. A unique control algorithm is used to drive the CeraPlas at its maximum efficiency under any conditions.

The driving circuit can be operated by a set of jumper or alternatively via COM-Port commands using an RS232-adaptor and an additional graphical user interface which is multi-platform software for adjusting CeraPlas to your specific application.

Connection setup

As shown in Fig.1 all possible interfaces are described. For running the CeraPlas the first time the following steps has to be done to accomplish a stable ignition of the plasma:

1. Plug in the CeraPlas to the green connector and tighten the screws to establish a good electrical connection
2. Plug in the green connector to the socket on the driving circuit
3. Connect a stabilized 24V +- 5% power supply with at least 500 mA current rating
4. Configure the Input power by shorten the user inputs 2-3 like in Tab. 2
5. Shorten User Input 1 by using a jumper to switch on the CeraPlas

Since the voltage is applied the driver sends out different light pattern by using the build-in LED:

Standby (CeraPlas is turned off):

LED is blinking – the amount of pulses correlates to the current operating mode.

Active (CeraPlas is running):

LED is blinking each 280 ms for 140 ms.

Alternatively, the CeraPlas can also be controlled using the serial RS232-interface, see below for the connection and commands.

Preliminary data

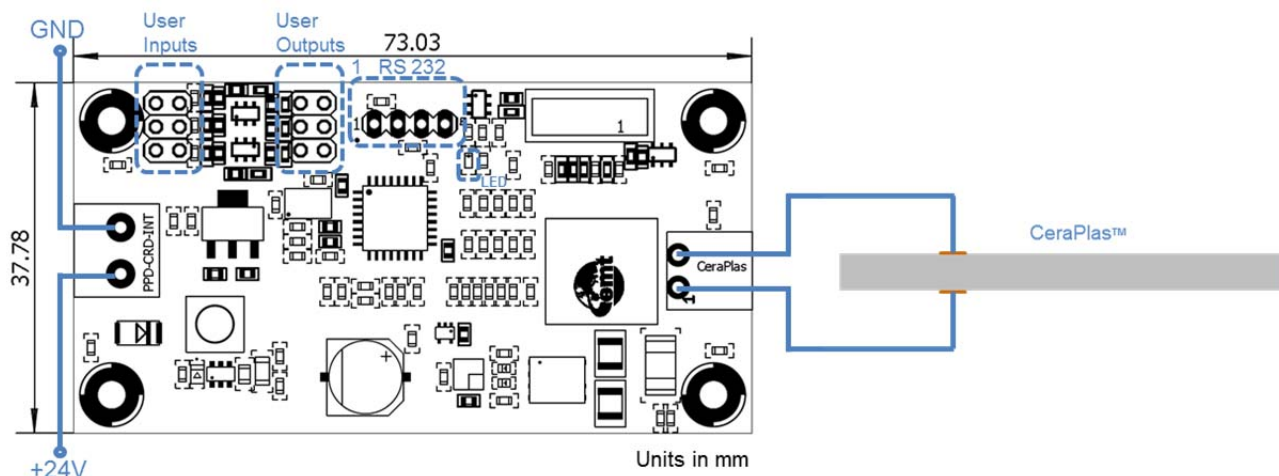


Fig. 1. CeraPlas driving circuit connection setup

CeraPlas overload

If electrical conducting objects are brought close to the output of the CeraPlas arcing could occur. Continued arcing can cause permanent damage to the CeraPlas.

In order to prevent continues arcing, the driving circuit senses the CeraPlas input signals. In case of an overload the CeraPlas is protected by being switched off for a couple of seconds. During the period of protection the LED is blinking.

RS232 connector

The pin assignment of the RS232 pin header is not compatible with common RS232-to-USB cables (Tab.1), see for example FTDI TTL-232R-3V3, RS stock number 429-307. Take care to use an adapter with 3.3 V logic levels. Pins 2 and 6 (CTS# / RTS#) of the cable are not used in the current version of the driving circuit and can be left unconnected.

Pin	Description
1	not connected
2	Ground
3	TxD
4	RxD

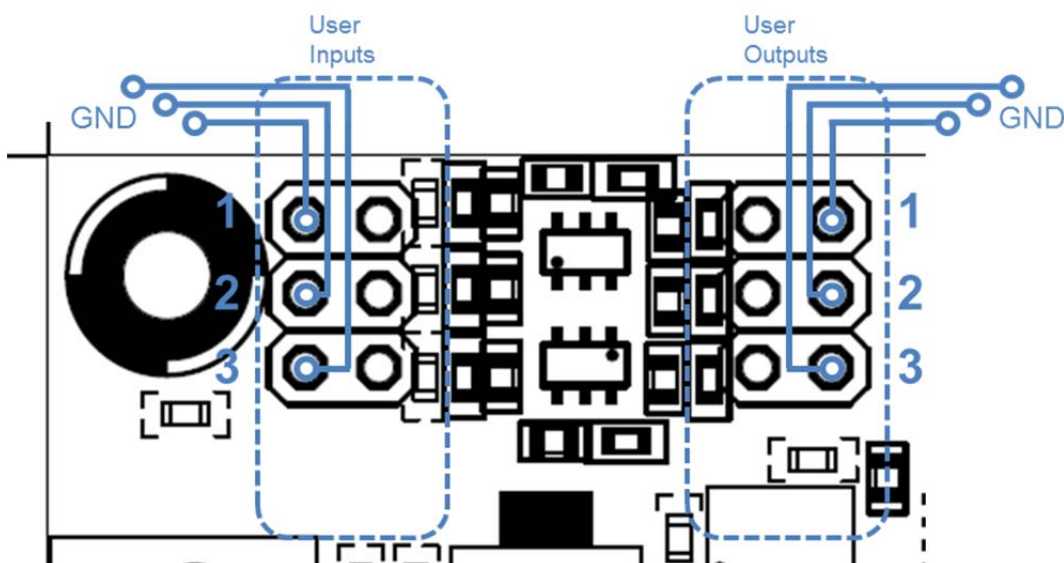
Tab. 1. RS232 connector pin assignment on the driver circuit

Using the user IOs

To get an impression of what the driving circuit can be deliver directly without PC connection four different kinds of power settings are predefined. User Input 1 is used for switching on the driver. All other presets are listed in Tab. 2.

User outputs 1 to 3 give the user the opportunity to enhance the functionality of the demo-kit by attaching an external status LED or an additional fan for a continuous air flow which correlates to internal parameter, like CeraPlas is turned on. The levels of the User Outputs are depicted in Tab.3.

Preliminary data


Fig. 2. CeraPlas driving circuit definition of the user IO

Jumper setting of user inputs	Driver presets
	(Default Mode) CeraPlas type = HF (45mm length) Frequency range = 78 ... 83 kHz Power = 4.5 W Phase = 0° Mode = 4
	CeraPlas type = HF (45mm length) Frequency range =78 ... 83 kHz Power = 2 W Phase = 0° Mode = 2

Tab. 2. Presets of the demo-kit user input

User Output Pin	Functionality
1	Replica of the LED pattern
2	3.3 V - if the output voltage to the CeraPlas is applied 0 V - 10 seconds after CeraPlas is switched off
3	3.3 V - if the resonance frequency of the CeraPlas is found and is constant

Tab. 3. Presets of the demo-kit user output

Using the COM-Port

For using the COM-Port, please come in contact to TDK to get an additional user guide and a multi-platform software which will demonstrates the communication protocol. The guide includes all commands for using the CeraPlas demo-kit in your software project.

The additional functionalities which are listed below can be achieved when a communication between the driver

Preliminary data

and a PC will be established.

- Measurement of 3 different temperatures by using PT-100 sensors
- Different power and phase settings
- Remote Access
- Control multiple drivers in parallel

Measurement of the CeraPlas input power

The output stage of the CeraPlas driving circuit is outlined in Fig.2. The current is internally measured via a 0.1 Ω shunt resistor at the low side (v_{cur} , pin next to +24 V). One way to measure the CeraPlas input power is to connect a oscilloscope probe to each of the output pins with respect to GND. Do not directly connect any CeraPlas pins to GND! The corresponding voltage at the CeraPlas is $v_{CeraPlas} = v_{vol} - v_{cur}$, whereas the current at the CeraPlas is $i_{CeraPlas} = v_{cur} / 0.1\Omega$.

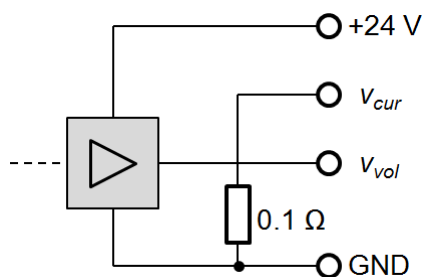


Fig. 2. Output stage of the CeraPlas driving circuit

Preliminary data

Cautions for using the CeraPlas driving circuit

- At high power and long operating time overheating of the driving circuit is possible
- At high power and long operating time additional cooling of the driving circuit may be necessary
- Avoid electrical conducting materials near (less than 20 mm, sharp tips less than 30 mm) the output side of the CeraPlas. In this case arcing could occur, yielding high transformer power and transformer failure.
- Discharging towards an electrical conducting material near the output side of the transformer can lead to overheating of the transformer even if the load is isolated.
- High voltage hazard! The output side of the transformer can reach voltages of up to 20 kV!
- Take special care of the toxicity of ozone! Use a ventilation system to remove the ozone. Depending on air-flow around the output of the transformer the ozone concentration can reach very high values!
- Use air or inert gases only! Do not use flammable working gases!
- EPCOS is not responsible for any harm during operating and testing of CeraPlas!

Important notes

The following applies to all products named in this publication:

1. Some parts of this publication contain **statements about the suitability of our products for certain areas of application**. These statements are based on our knowledge of typical requirements that are often placed on our products in the areas of application concerned. We nevertheless expressly point out **that such statements cannot be regarded as binding statements about the suitability of our products for a particular customer application**. As a rule, EPCOS is either unfamiliar with individual customer applications or less familiar with them than the customers themselves. For these reasons, it is always ultimately incumbent on the customer to check and decide whether an EPCOS product with the properties described in the product specification is suitable for use in a particular customer application.
2. We also point out that **in individual cases, a malfunction of electronic components or failure before the end of their usual service life cannot be completely ruled out in the current state of the art, even if they are operated as specified**. In customer applications requiring a very high level of operational safety and especially in customer applications in which the malfunction or failure of an electronic component could endanger human life or health (e.g. in accident prevention or life-saving systems), it must therefore be ensured by means of suitable design of the customer application or other action taken by the customer (e.g. installation of protective circuitry or redundancy) that no injury or damage is sustained by third parties in the event of malfunction or failure of an electronic component.
3. **The warnings, cautions and product-specific notes must be observed.**
4. In order to satisfy certain technical requirements, **some of the products described in this publication may contain substances subject to restrictions in certain jurisdictions (e.g. because they are classed as hazardous)**. Useful information on this will be found in our Material Data Sheets on the Internet (www.epcos.com/material). Should you have any more detailed questions, please contact our sales offices.
5. We constantly strive to improve our products. Consequently, **the products described in this publication may change from time to time**. The same is true of the corresponding product specifications. Please check therefore to what extent product descriptions and specifications contained in this publication are still applicable before or when you place an order. We also **reserve the right to discontinue production and delivery of products**. Consequently, we cannot guarantee that all products named in this publication will always be available. The aforementioned does not apply in the case of individual agreements deviating from the foregoing for customer-specific products.
6. Unless otherwise agreed in individual contracts, **all orders are subject to the current version of the "General Terms of Delivery for Products and Services in the Electrical Industry" published by the German Electrical and Electronics Industry Association (ZVEI)**.
7. **Our manufacturing sites serving the automotive business apply the IATF 16949 standard**. The IATF certifications confirm our compliance with requirements regarding the quality management system in the automotive industry. Referring to customer requirements and customer specific requirements ("CSR") TDK always has and will continue to have the policy of respecting individual agreements. Even if IATF 16949 may appear to support the acceptance of unilateral requirements, we hereby like to emphasize that **only requirements mutually agreed upon can and will be implemented in our Quality Management System**. For clarification purposes we like to point out that obligations from IATF 16949 shall only become legally binding if individually agreed upon.

Important notes

8. The trade names EPCOS, CeraCharge, CeraDiode, CeraLink, CeraPad, CeraPlas, CSMP, CTVS, DeltaCap, DigiSiMic, ExoCore, FilterCap, FormFit, LeaXield, MiniBlue, MiniCell, MKD, MKK, MotorCap, PCC, PhaseCap, PhaseCube, PhaseMod, PhiCap, PowerHap, PQSine, PQvar, SIFERRIT, SIFI, SIKOREL, SilverCap, SIMDAD, SiMic, SIMID, SineFormer, SIOV, ThermoFuse, WindCap are **trademarks registered or pending** in Europe and in other countries. Further information will be found on the Internet at www.epcos.com/trademarks.

Release 2018-06

Mouser Electronics

Authorized Distributor

Click to View Pricing, Inventory, Delivery & Lifecycle Information:

[EPCOS / TDK:](#)

[Z63000Z2910Z1Z6-MODULE](#) [Z63000Z2910Z1Z61](#)