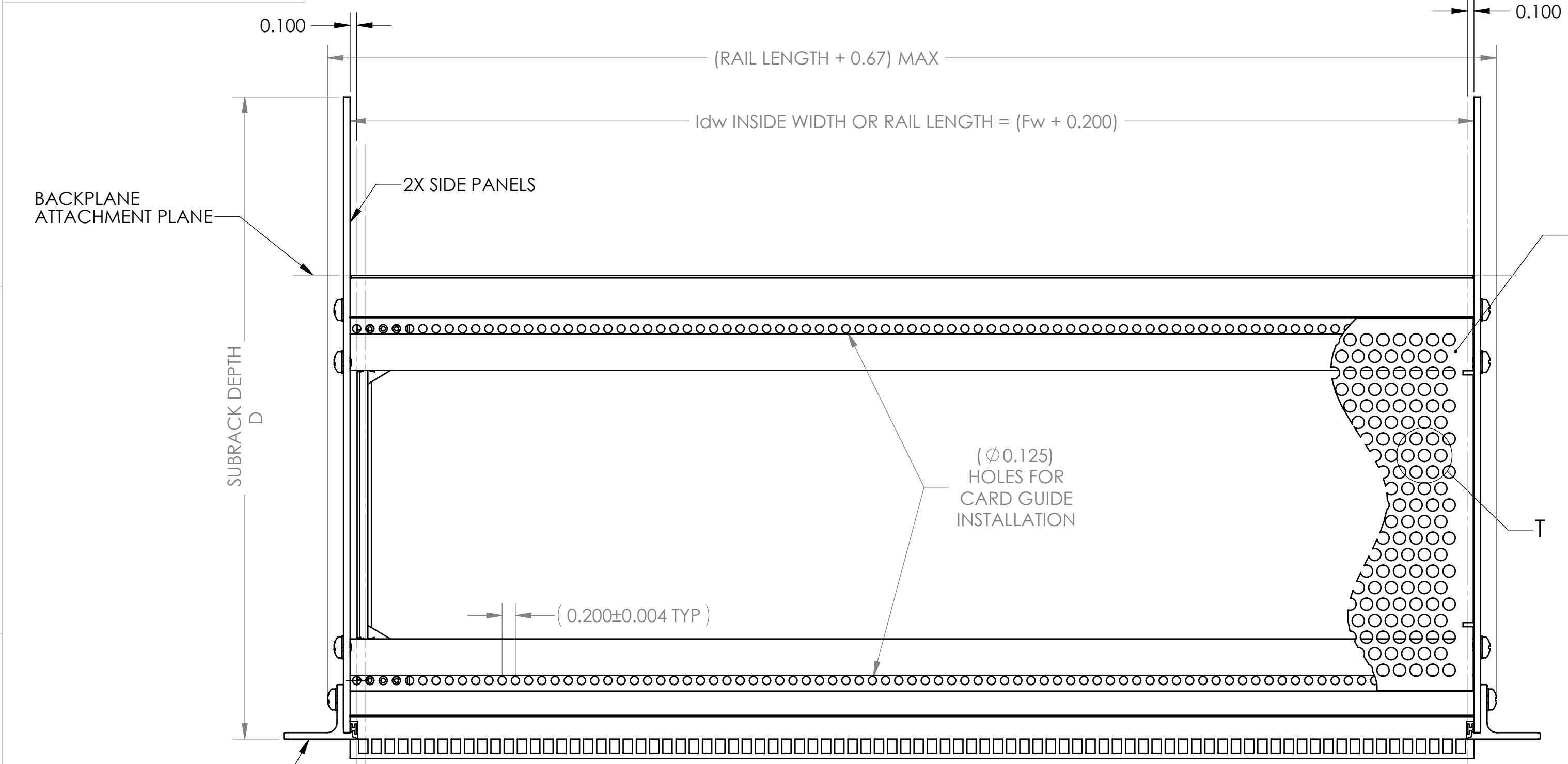
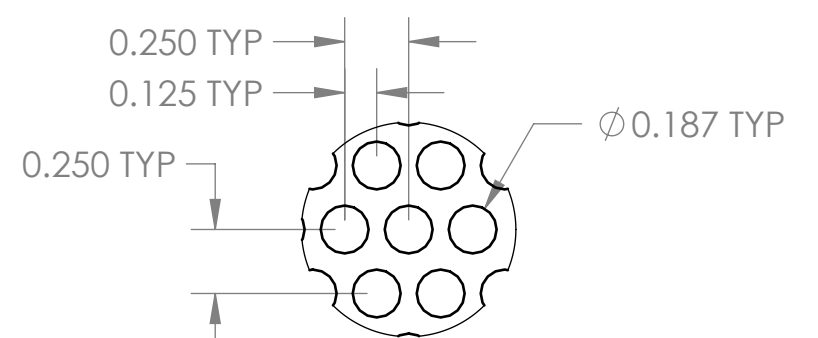


PROPRIETARY AND CONFIDENTIAL
 THE INFORMATION CONTAINED IN THIS DRAWING IS THE SOLE PROPERTY OF VECTOR ELECTRONICS & TECHNOLOGY, INC. ANY REPRODUCTION IN PART OR AS A WHOLE WITHOUT THE WRITTEN PERMISSION OF VECTOR ELECTRONICS & TECHNOLOGY, INC. IS PROHIBITED.

REV		REVISIONS		DATE	APPROVED
ZONE	REV	DESCRIPTION			
ALL	A	INITIAL RELEASE		08/31/12	



TOP VIEW



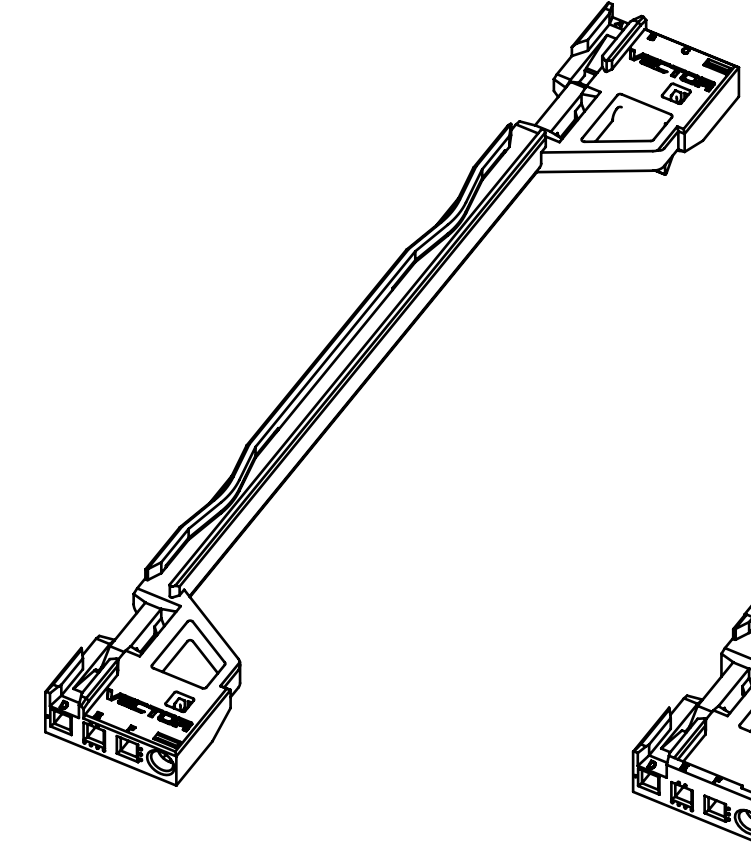
DETAIL T PERFORATION DETAIL

DIM	SUBRACK HEIGHT		
	3U	6U	9U
Sh	5.22	10.47	15.72
Hg	3.945	9.195	14.445
Hs	4.422	9.672	14.922
Nc	4.823	10.073	15.323

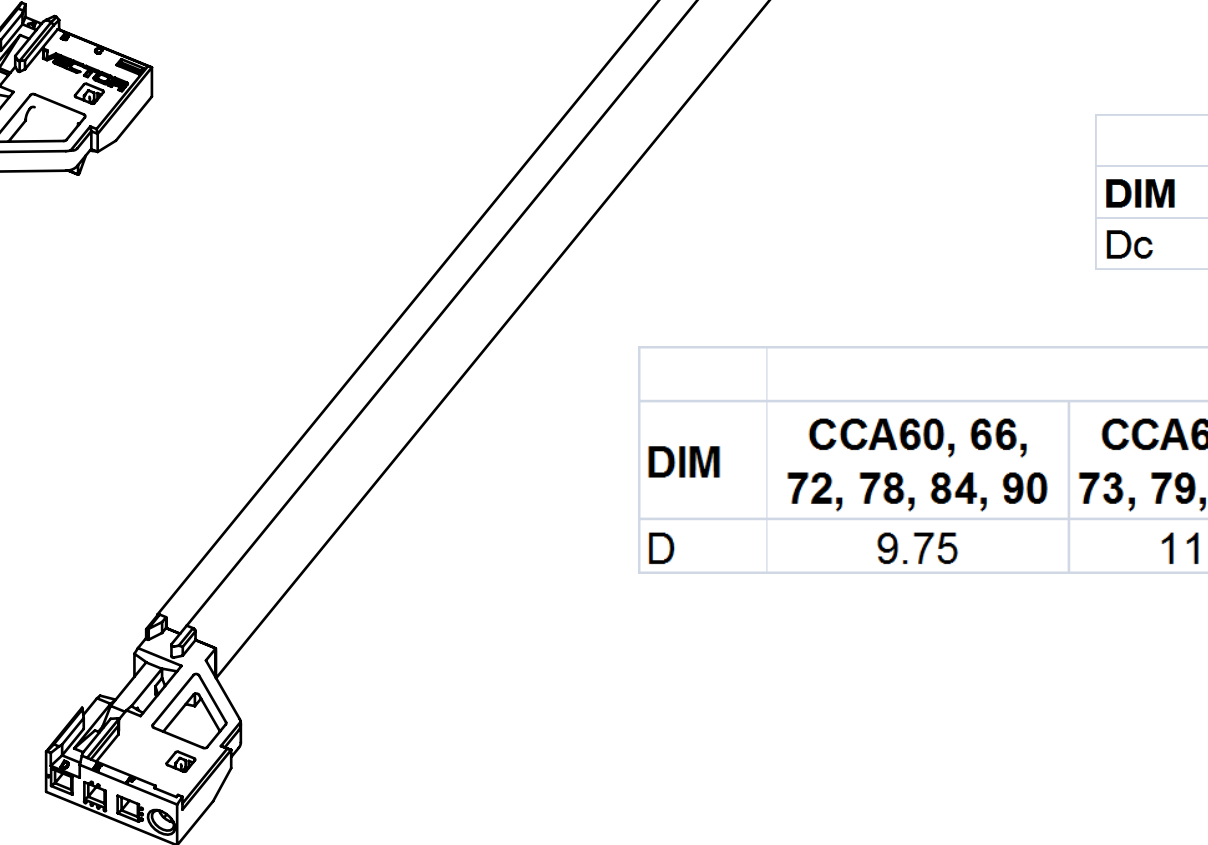
DIM	SUBRACK WIDTH			
	36HP	44HP	64HP	84HP
Fw	7.200	8.800	12.800	16.800
Idw	7.400	9.000	13.000	17.000
N	9	11	16	21

DIM	CARD DEPTH				
	160mm	220mm	280mm	340mm	400mm
Dc	6.913	9.275	11.637	14.00	16.362

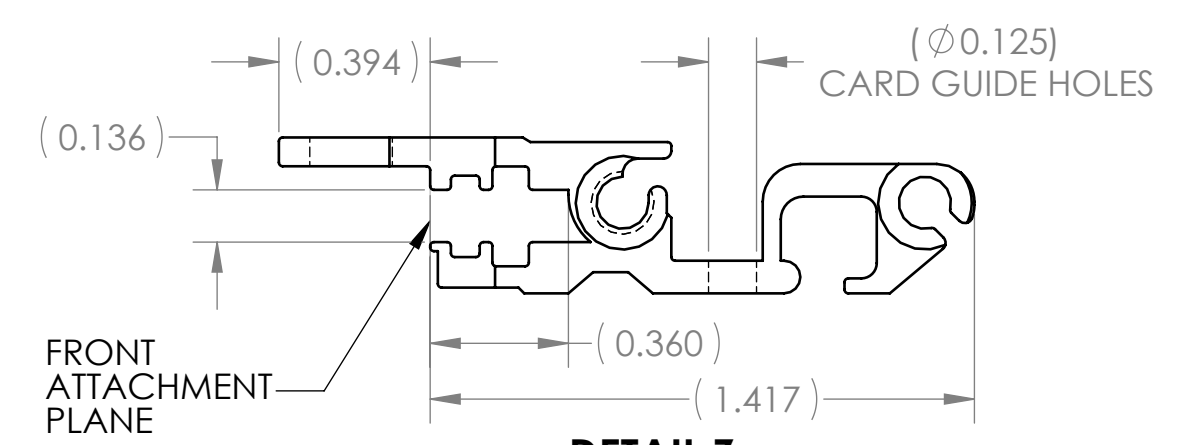
DIM	SUBRACK DEPTH					
	CCA60, 66, 72, 78, 84, 90	CCA61, 67, 73, 79, 85, 91	CCA 62, 68, 74, 80, 86, 92	CCA63, 69, 75, 81, 87, 93	CCA64, 70, 76, 82, 88, 94	CCA65, 71, 77, 83, 89, 95
D	9.75	11.15	12.00	15.00	18.00	20.00



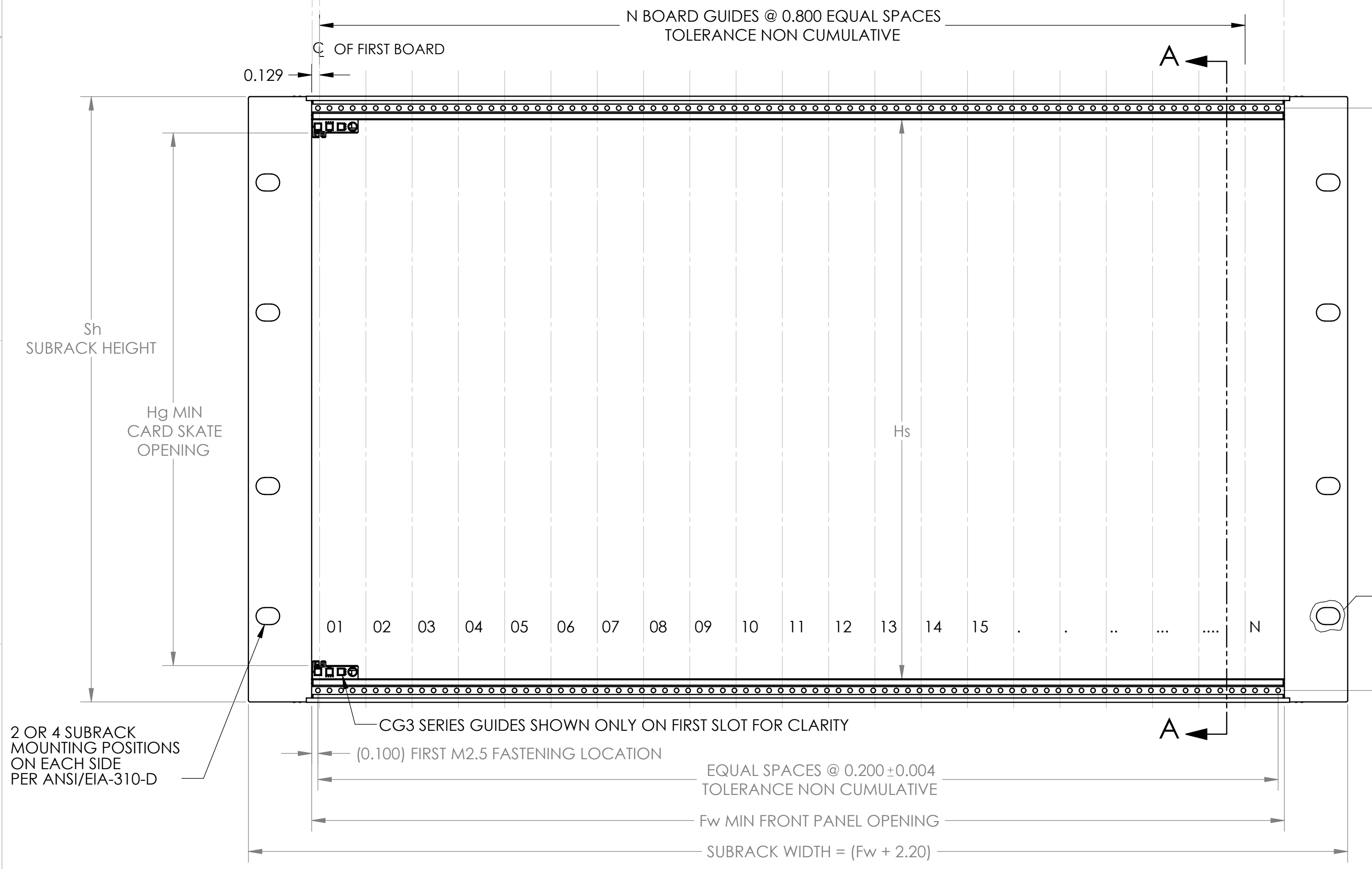
CG3 SERIES CARD GUIDE FOR 160, 220mm DEPTH. IEEE 1101.10



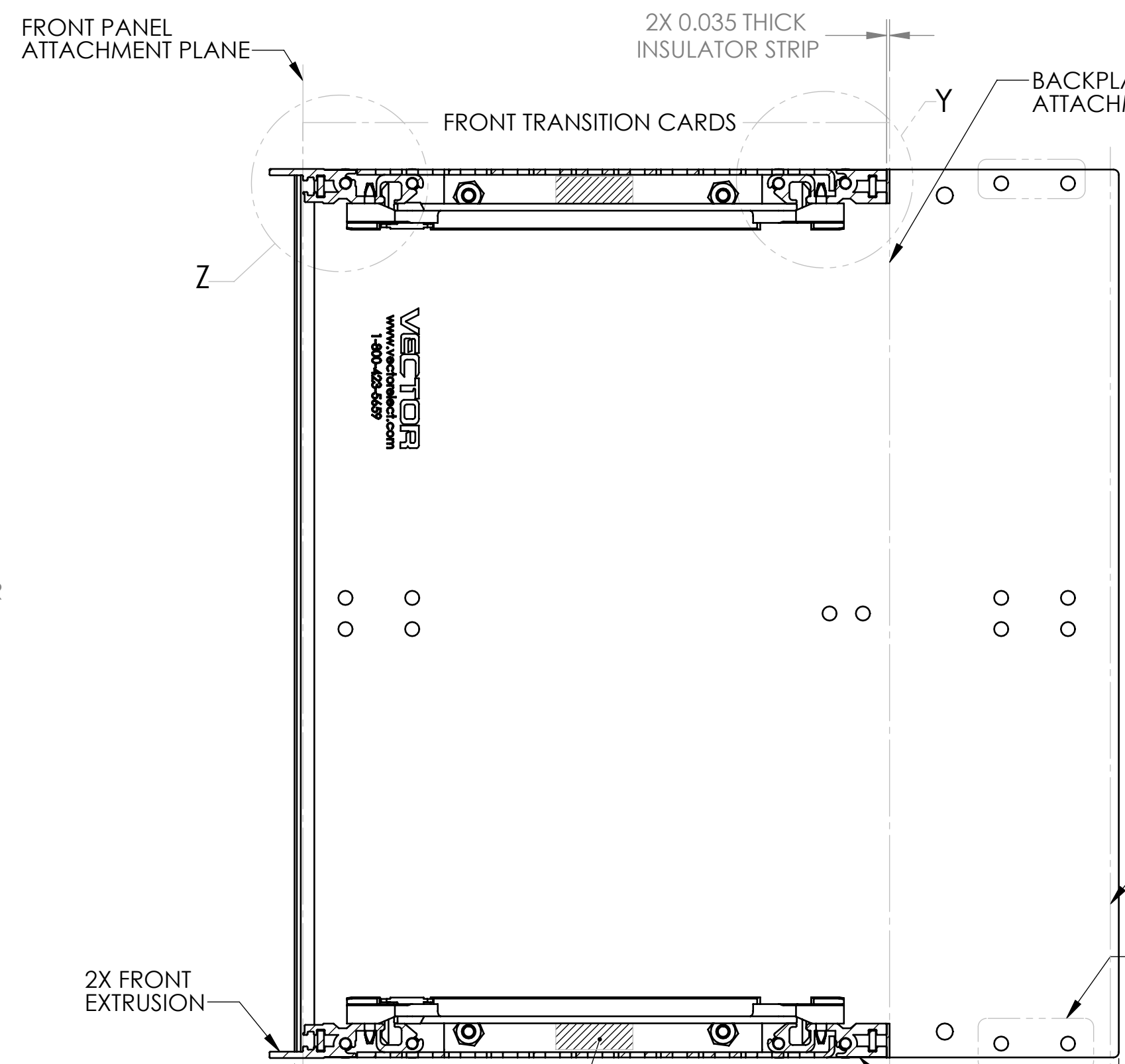
CG3-U SERIES CARD GUIDE FOR 280mm AND LONGER DEPTH. IEEE 1101.10



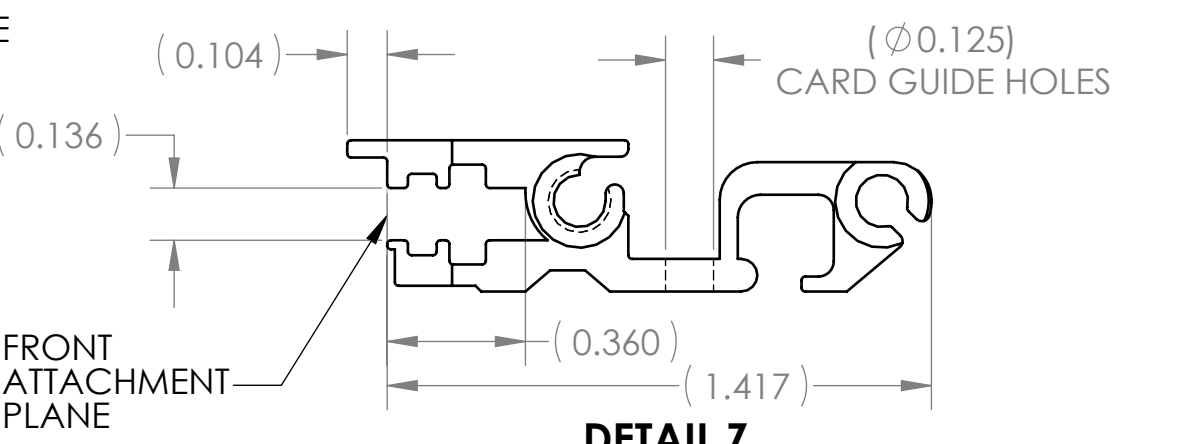
DETAIL Z FRONT HORIZONTAL RAIL IEEE 1101.10



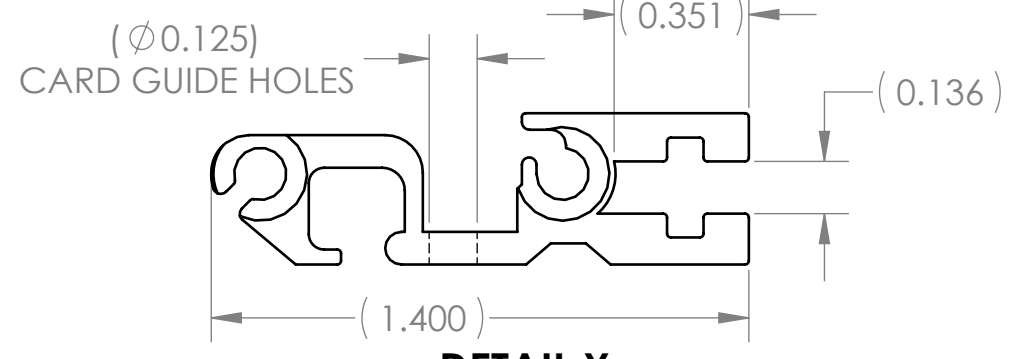
FRONT VIEW SHOWN FULL WIDTH (84HP WIDE) SUBRACK



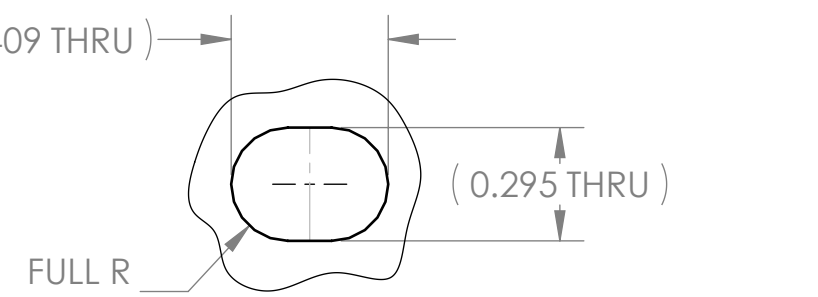
SECTION A-A



DETAIL Z FRONT HORIZONTAL RAIL IEEE 1101.1



DETAIL Y REAR HORIZONTAL RAIL IEEE 1101.1 / 1101.10



DETAIL B SCALE 2:1 RACKMOUNT HOLE

ADDITIONAL TOP AND BOTTOM T-STRUT SUPPORT RAIL IN CENTER FOR 340mm & 400mm DEPTH CARDS

UNLESS OTHERWISE SPECIFIED: DIMENSIONS ARE IN INCHES TOLERANCES: DEC .X.X ±0.1 DEC .X.XX ±0.03 DEC .X.XXX ±0.010 FRACTIONS ±0.050 ANGLES ±1° THIRD ANGLE PROJECTION MATERIAL FINISH	DRAWN: TRISHAR CHECKED: ENG APPR: MFG APPR: Q.A. COMMENTS:	DATE: 08/31/12 NAME: TRISHAR DATE: 08/31/12 NAME: TRISHAR	11115 VANOWEN ST. NORTH HOLLYWOOD, CA 91365 VECTOR ELECTRONICS & TECHNOLOGY, INC. www.vectorelec.com VECTOR RUGGED 1101.1/ 1101.10 CARD CAGE DETAIL SIZE DWG. NO. D VRCC1101 SCALE: 2:3 CAGE CODE: 82893 SHEET 1 OF 1
---	---	--	---

1U = 1.75" (44.45mm)
 1HP = 0.200" (5.08mm)