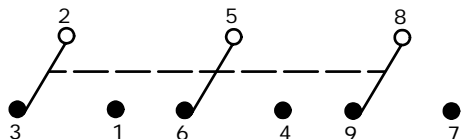
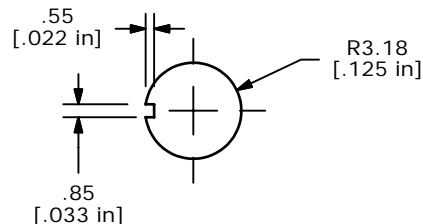


| SWITCH FUNCTION | | |
|-----------------|--------|---------------|
| POS. 1 | POS. 2 | POS. 3 |
| | | |
| ON | NONE | ON |
| 2-3, 5-6, 8-9 | N/A | 2-1, 5-4, 8-7 |



CIRCUIT: 3PDT

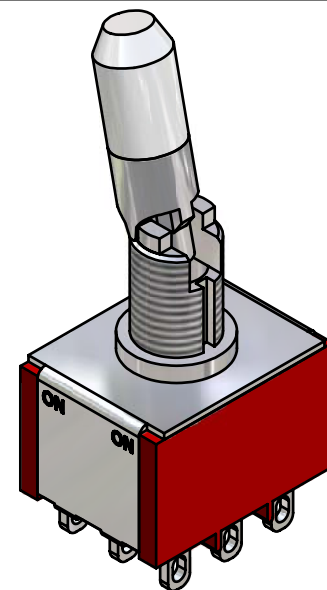
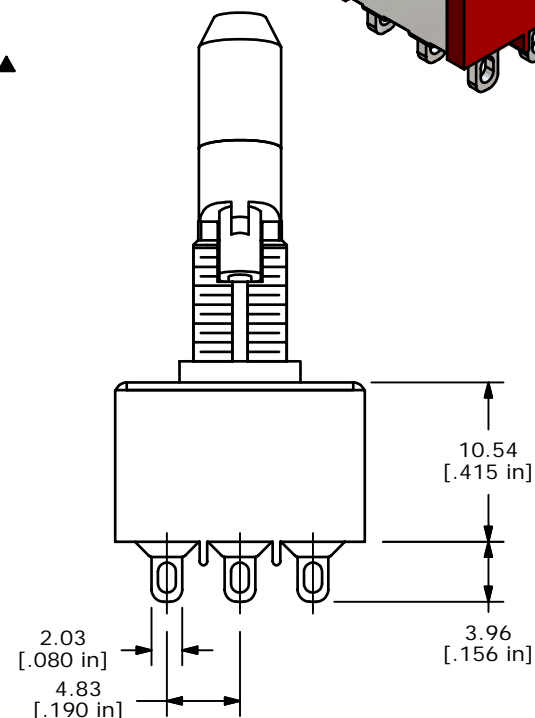
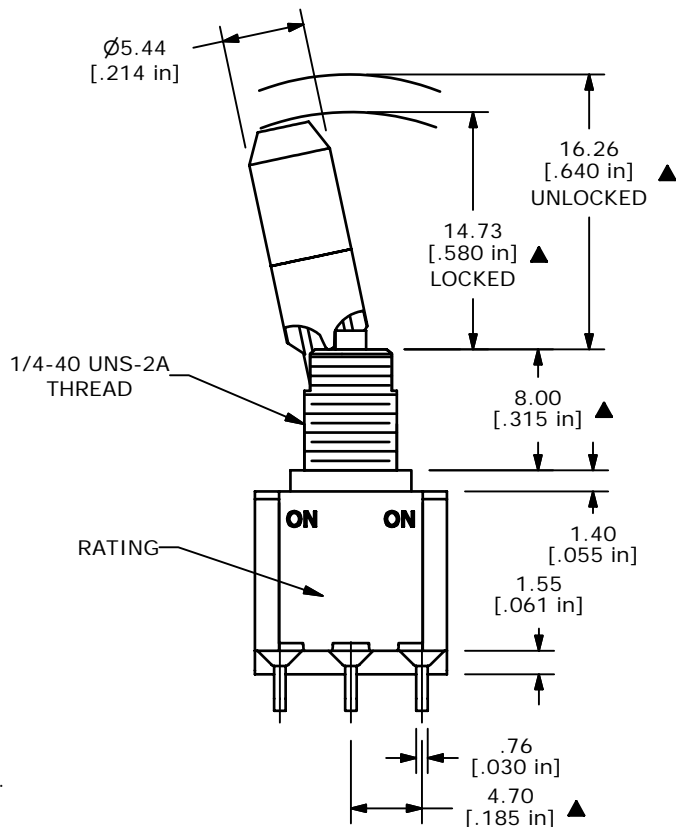
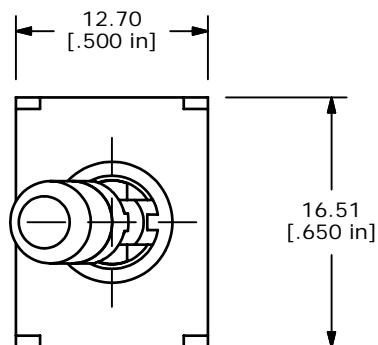


RECOMMENDED PANEL MOUNTING

NOTE:

1. ALL DIMENSIONS IN MM [INCH]
2. GENERAL TOLERANCE: X.X=±0.4
X.XX=±0.25
3. TERMINAL NUMBERS FOR REF ONLY
- ▲ 4. PLATING MATERIAL: SILVER
5. RATING: 2 AMPS @250VAC
5 AMPS @120VAC OR 28VDC
6. ELECTRIC LIFE: 40,000 make-and-break cycles at full load.
7. INSULATION RESISTANCE: 1,000 Mega-ohm min.
8. DIELECTRIC STRENGTH: 1,000 V RMS @sea level.
9. OPERATING TEMP.: -30°C to 85°C
10. ▲ DENOTES CRITICAL PARAMETER.
11. 2002/95/EC (ROHS) COMPLIANT
12. HARDWARE TO BE SHIPPED BULK:

- T100011 - LOCK WASHER, QTY 1
- T100015 - LOCK RING, QTY 1
- T100000 - HEX NUT, QTY 2



E-SWITCH®

TITLE 1003P1K2B25M1QEH

| | | | | |
|-----|--------|------------------|---------|----|
| A | 16032 | NEW PART RELEASE | 5/24/06 | CT |
| REV | PCR NO | DESCRIPTION | DATE | BY |

| | | | | |
|-------|-----------|----|----------|-----|
| SCALE | DATE | DR | DWG | REV |
| 2:1 | 5/24/2006 | CT | ST131032 | A |

THE INFORMATION CONTAINED IN THIS DOCUMENT IS PROPRIETARY TO E-SWITCH AND IS NOT TO BE COPIED OR TRANSFERRED