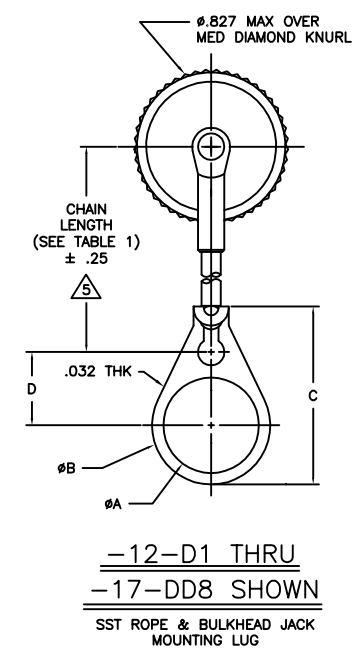
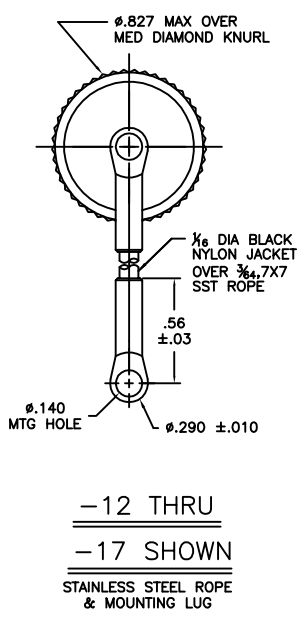


TABLE 1	
DASH NO	DESCRIPTION
-1	CAP (NO CHAIN)
-2	CAP WITH 2.50 BRASS CHAIN
-3	CAP WITH 2.50 NYLON CHAIN
-4	CAP WITH 3.00 BRASS CHAIN
-5	CAP WITH 3.00 NYLON CHAIN
-6	CAP WITH 6.00 BRASS CHAIN
-7	CAP WITH 6.00 NYLON CHAIN
-8	CAP WITH 4.00 BRASS CHAIN
-9	CAP WITH 4.00 NYLON CHAIN
-10	CAP WITH 10.00 BRASS CHAIN
-11	CAP WITH 10.00 NYLON CHAIN
-12	CAP WITH 2.50 SST ROPE
-13	CAP WITH 3.00 SST ROPE
-14	CAP WITH 6.00 SST ROPE
-15	CAP WITH 4.00 SST ROPE
-16	CAP WITH 7.00 SST ROPE
-17	CAP WITH 4.50 SST ROPE

TABLE 2				
DASH NO	"A" DIA	"B" DIA	"C" DIM	"D" DIM
-D1	.755	.875	1.191	.513
-D2	.630	.750	1.066	.450
-D3	.505	.625	.941	.388
-D4	.439	.562	.878	.355
-D5	.380	.500	.816	.325
-D6	.317	.437	.753	.295
-D7	.281	.406	.722	.278
-D8	.610	.750	1.066	.450
-D9	.567	.687	1.003	.419
-DD8	.330	.450	.766	.300
-D10	.192	.312	.628	.231
-D11	1.005	1.125	1.441	.638



NOTE THAT CHAIN LENGTH FOR SST ROPE WITH MOUNTING OPTION IS NOT MEASURED TO THE CENTER OF BULKHEAD MOUNTING LUG.

4. EXAMPLE OF COMPLETE MODEL NO:
RFI S 95-2-D3

BASIC PART NO — RFI S 95 — BULKHEAD JACK MOUNTING LUG (OPTIONAL / SEE TABLE 2)

SAFETY WIRE HOLES (OPTIONAL) — 2 —

DASH NO FOR CHAIN/ROPE MATL AND LENGTH (SEE TABLE 1) — D3

IF SAFETY WIRE TYPE REQUIRED; ADD SUFFIX "S" TO MODEL NO
EXAMPLE: RFI S95S.

2. STD SIZE PATCHING DUST CAP WITH OR WITHOUT MOUNTING CHAIN OR SST ROPE OPTIONS.

1. FINISH: TFS-1A (NICKEL).

UNLESS OTHERWISE SPECIFIED DIMENSIONS ARE IN INCHES TOLERANCES ARE:		 cinch CONNECTIVITY SOLUTIONS a bel group	
FRACTIONS	DECIMALS		
± .XX	± .010	± 2°	
± .XXX	± .005		
± .XXXX	± .001		
SIGNATURES	DATE	RFI95/RFIS95	
DRAWN BY C. WALLACE	1/14/11	SIZE C	CAGE CODE 14949
CHECKED BY		DWG NO. 1-0456	REV H
APPROVED BY		SCALE N/A	SHEET 1 OF 1