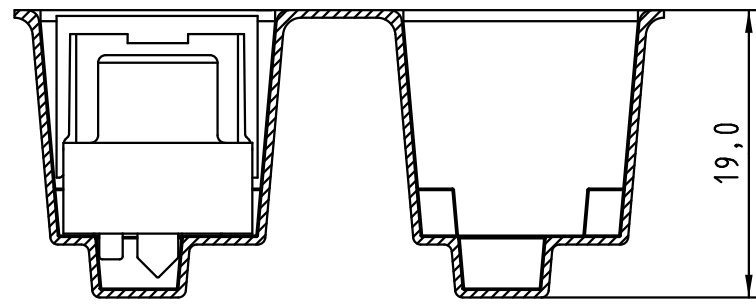


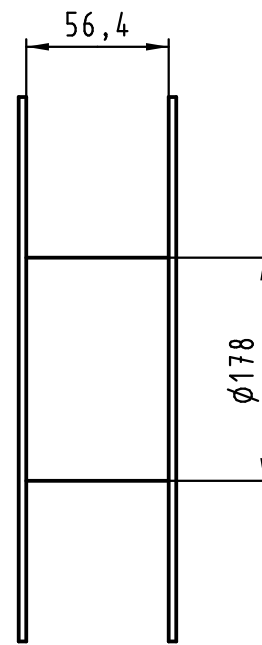
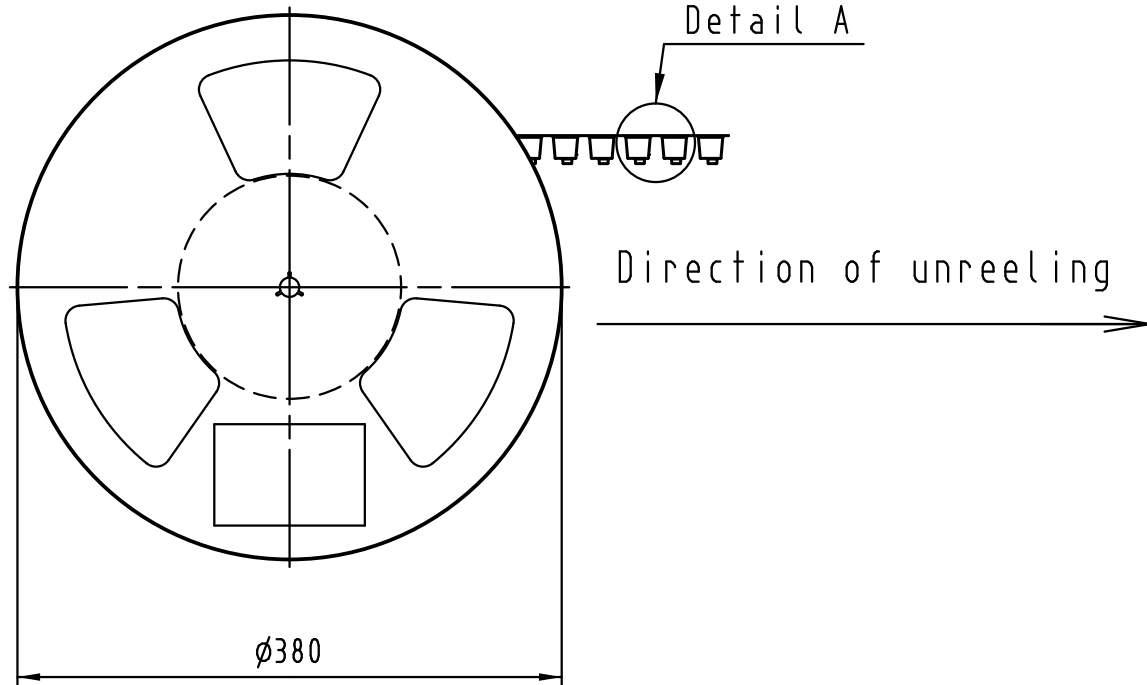
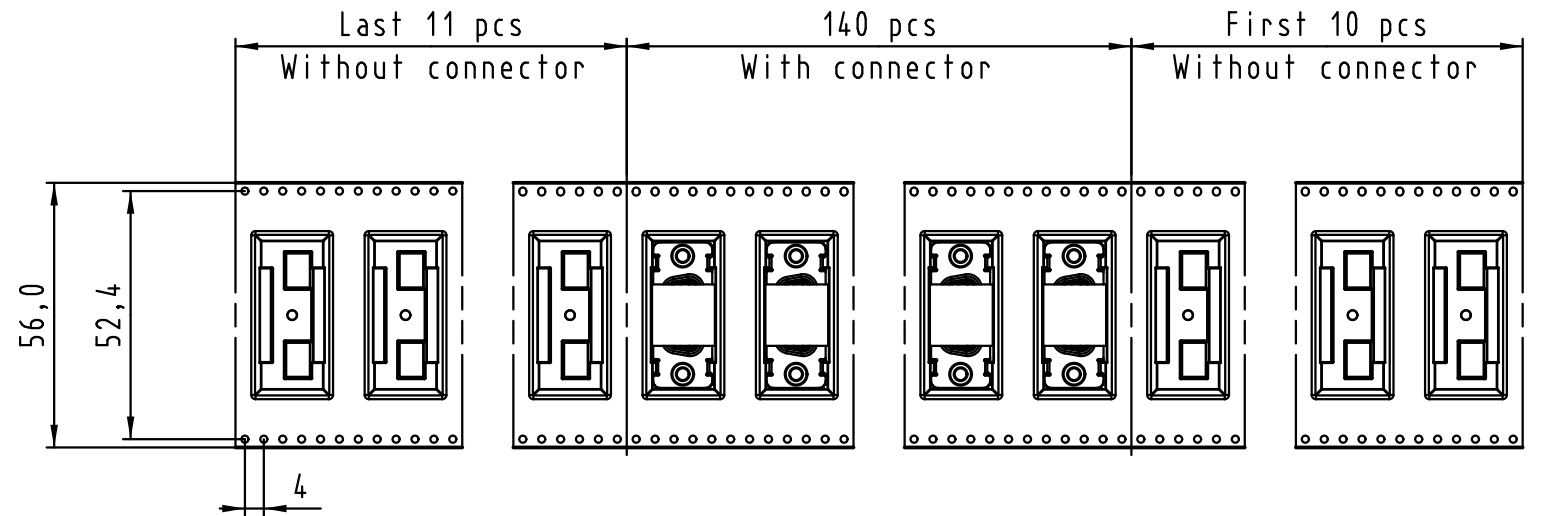
Max. Temperature: 260° during 10 seconds.

0955 155 3611 741	1	M3	Black insulator	Reel Packaging: 140 connectors (See details on page2/2)
0955 155 3612 741	1	4-40 UNC		
0955 155 6611 741	2	M3		
0955 155 6612 741	2	4-40 UNC		
0955 155 7611 741	3	M3		
0955 155 7612 741	3	4-40 UNC		
Part number	PL	Nut	Index designation	
All Dimensions in mm Original Size DIN A 3			Free size tolerances	
Techn. Character. Dat. Name Detail. 14-Sep-11 Johnson.S Insp. 17-Nov-11 Steven.W Stand. 17-Nov-11 Steven.W			Scale 2:1 D-Sub SMT, 9 poles Female, Straight with nuts and ground pins	
EC04070	17-Nov-11	Johnson.S	Zhuhai HARTING Limited	
Mod.	Dat.	Name	TB 09 55 155 x61x Sub.	
			Page 1/2	

All rights reserved



Detail A



See TB 09 55 155 x61x folio 1/2 for connector dimensions and PCB layout

Packaging in accordance with EIA 481-2.

0955 155 3611 741	1	M3	Black insulator	Reel Packaging: 140 connectors
0955 155 3612 741	1	4-40 UNC		
0955 155 6611 741	2	M3		
0955 155 6612 741	2	4-40 UNC		
0955 155 7611 741	3	M3		
0955 155 7612 741	3	4-40 UNC		
Part number	PL	Nut	Index designation	

	All Dimensions in mm Original Size DIN A 3			Techn. Character.			Free size tolerances		
EC04070	17-Nov-11	Johnson.S	Zhuhai HARTING Limited			TB 09 55 155 x61x			Page 2/2
Mod.	Dat.	Name				Sub.			

All rights reserved