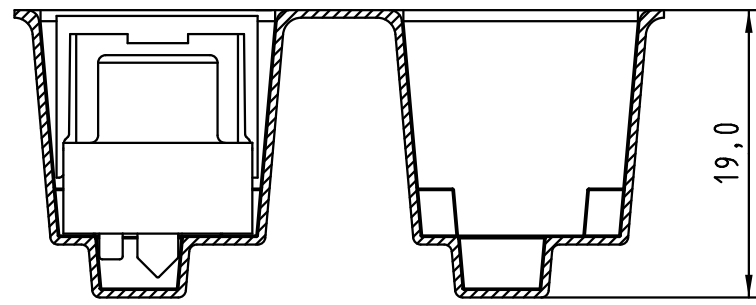


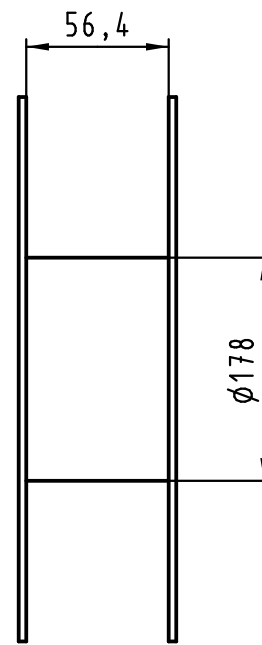
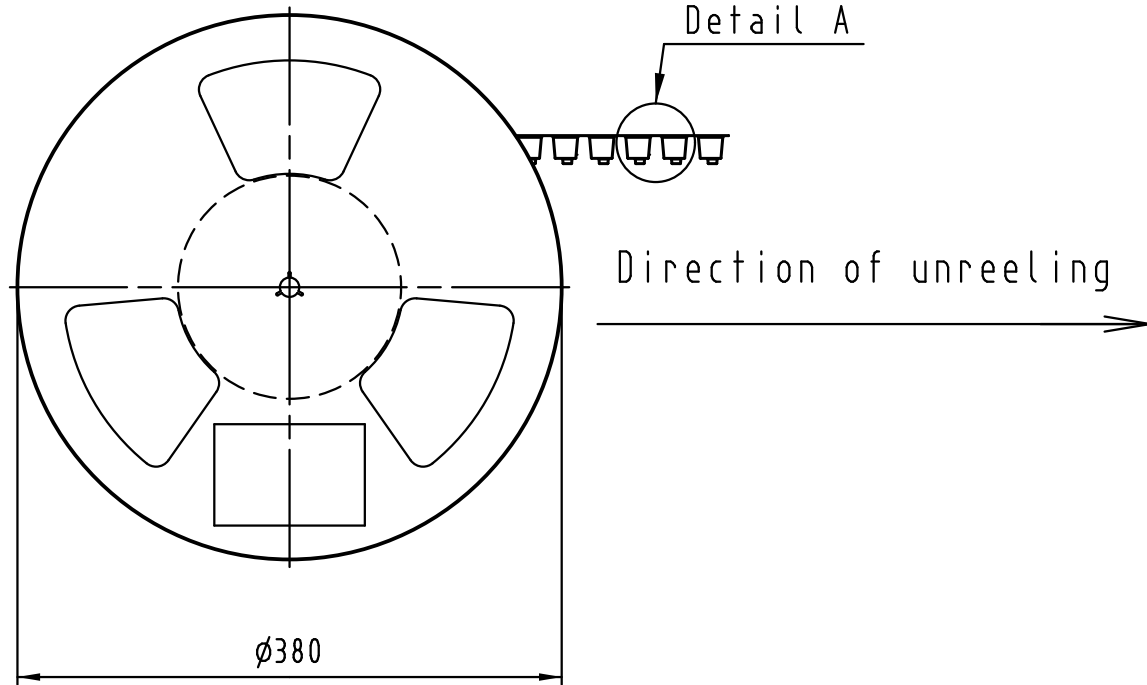
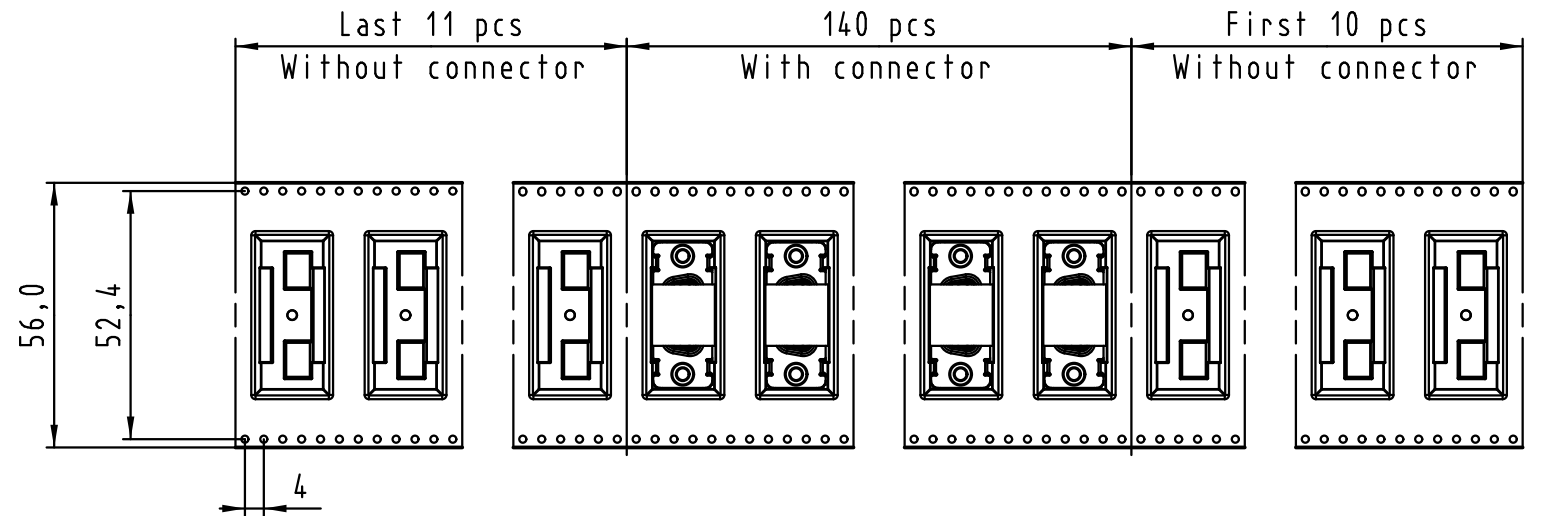
Max. Temperature: 260° during 10 seconds.

0955 155 3611 741	1	M3	Black insulator	Reel Packaging: 140 connectors (See details on page2/2)													
0955 155 3612 741	1	4-40 UNC															
0955 155 6611 741	2	M3															
0955 155 6612 741	2	4-40 UNC															
0955 155 7611 741	3	M3															
0955 155 7612 741	3	4-40 UNC															
Part number	PL	Nut	Index designation														
All Dimensions in mm Original Size DIN A 3			Free size tolerances														
<table border="1"> <tr> <td></td> <td>Dat.</td> <td>Name</td> <td rowspan="4">Scale 2:1</td> </tr> <tr> <td>Detail.</td> <td>14-Sep-11</td> <td>Johnson.S</td> </tr> <tr> <td>Insp.</td> <td>17-Nov-11</td> <td>Steven.W</td> </tr> <tr> <td>Stand.</td> <td>17-Nov-11</td> <td>Steven.W</td> </tr> </table>				Dat.	Name	Scale 2:1	Detail.	14-Sep-11	Johnson.S	Insp.	17-Nov-11	Steven.W	Stand.	17-Nov-11	Steven.W	D-Sub SMT, 9 poles Female, Straight with nuts and ground pins	
	Dat.	Name	Scale 2:1														
Detail.	14-Sep-11	Johnson.S															
Insp.	17-Nov-11	Steven.W															
Stand.	17-Nov-11	Steven.W															
EC04070	17-Nov-11	Johnson.S	Zhuhai HARTING Limited														
Mod.	Dat.	Name	TB 09 55 155 x61x	Page 1/2													

All rights reserved



Detail A



See TB 09 55 155 x61x folio 1/2 for connector dimensions and PCB layout

Packaging in accordance with EIA 481-2.

0955 155 3611 741	1	M3	Black insulator	Reel Packaging: 140 connectors
0955 155 3612 741	1	4-40 UNC		
0955 155 6611 741	2	M3		
0955 155 6612 741	2	4-40 UNC		
0955 155 7611 741	3	M3		
0955 155 7612 741	3	4-40 UNC		
Part number	PL	Nut	Index designation	

All Dimensions in mm Original Size DIN A 3	Techn. Character.			Free size tolerances	
		Dat.	Name	Scale	
	Detail.	14-Sep-11	Johnson.S	D-Sub SMT, 9 poles Female, Straight with nuts and ground pins	
	Insp.	17-Nov-11	Steven.W		
Stand.	17-Nov-11	Steven.W			
EC04070	17-Nov-11	Johnson.S	Zhuhai HARTING Limited		TB 09 55 155 x61x
Mod.	Dat.	Name			Sub.

All rights reserved