

MICRO SWITCH
a Honeywell Division

FED. MFG. CODE 91929

SWITCH-ENCLOSED

CATALOG LISTING
622EN227-6B

CATALOG LISTING
622EN227-6B

PAGE 1 OF 1

ISSUE
M
3

CHECK

REVISIONS
A PR22884
TSM
13 JUL 97
B C093910
J A F
16 DEC 98

CHECK

14 JUL 97

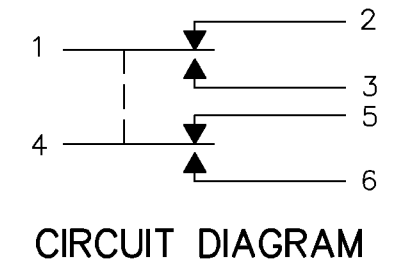
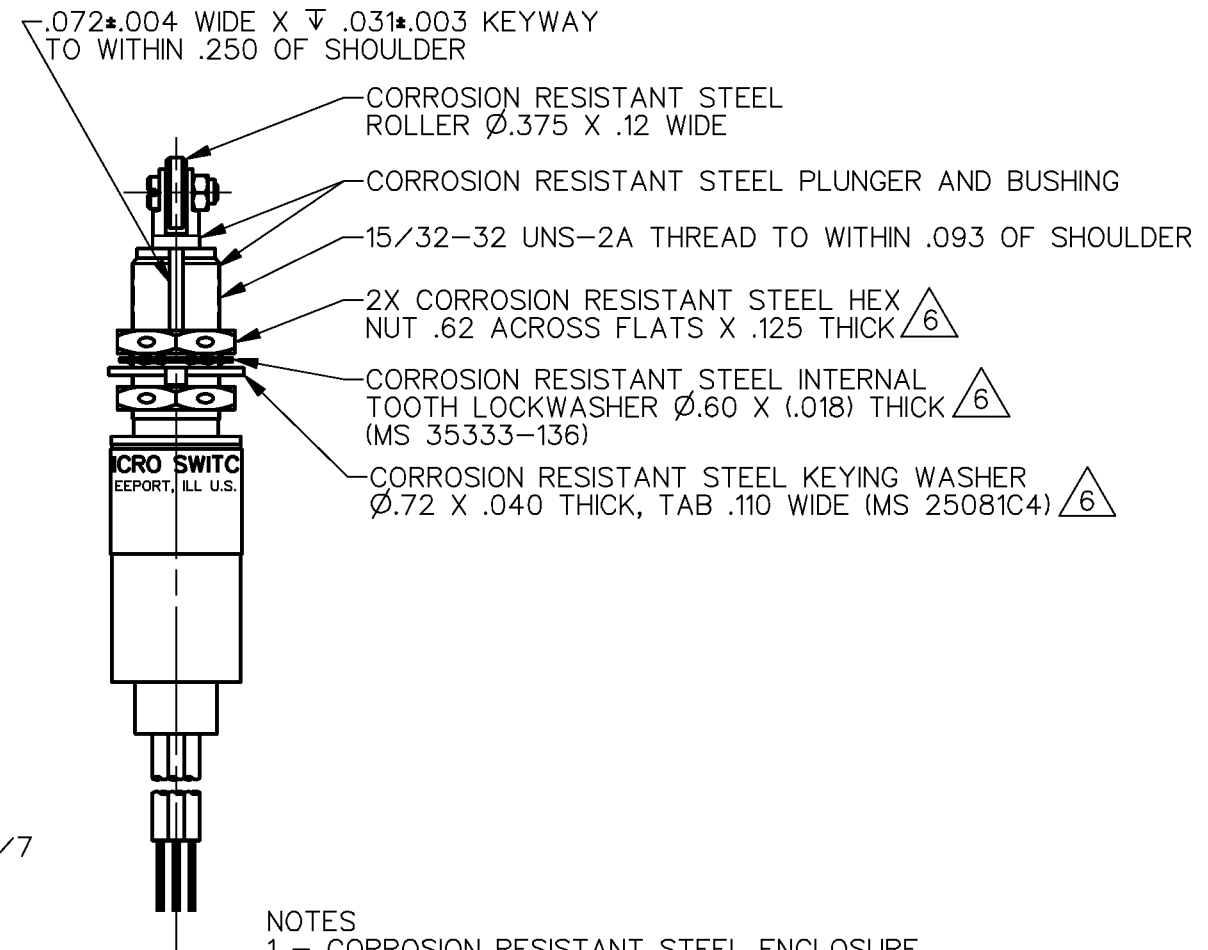
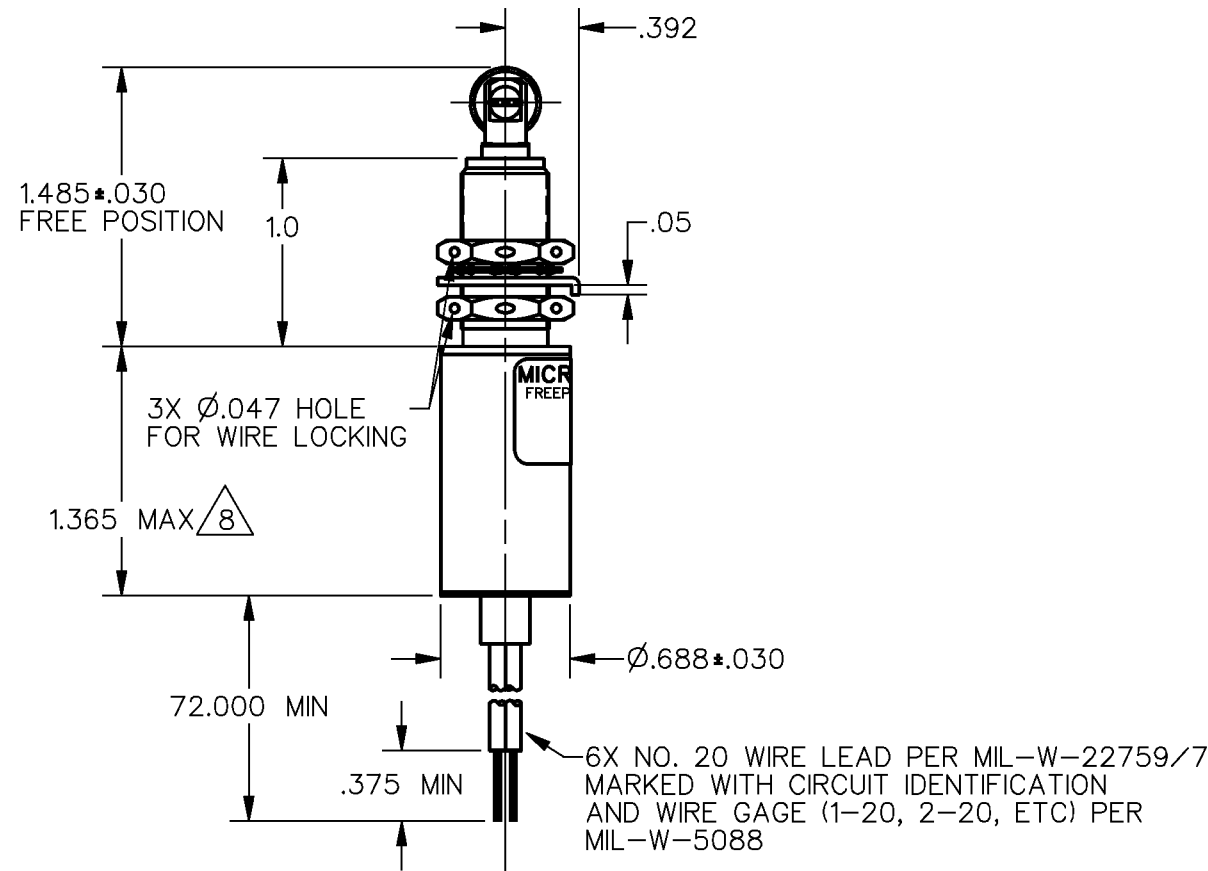
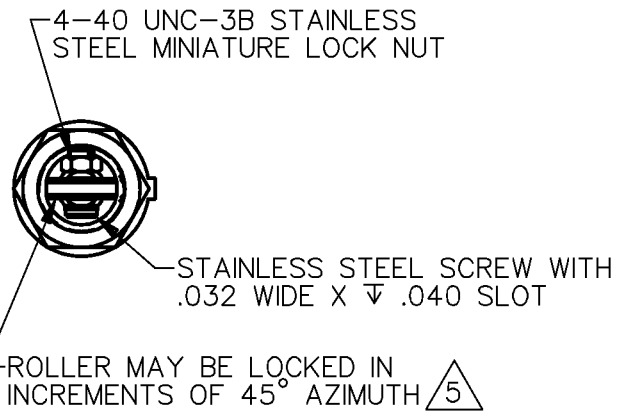
S A V

CHECK

13 JUL 97

DDM/CAD
DRAWN

RELEASE NO. PR-22884 REPLACES



- NOTES
- 1 - CORROSION RESISTANT STEEL ENCLOSURE
 - 2 - SWITCH SEALED PER MIL-S-8805 SYMBOL 4
 - 3 - COINCIDENCE OF OPERATING AND RELEASING POINTS: .010 OF PLUNGER TRAVEL
 - 4 - CIRCUIT DIAGRAM, DATE CODE, FED. MFG. CODE AND CATALOG LISTING SHOWN ON NAMEPLATE
 - $\triangle 5$ TO ADJUST ROLLER DIRECTION, REMOVE LOCK NUT, SCREW, AND ROLLER. DEPRESS PLUNGER UNTIL IT CAN BE ROTATED TO DESIRED POSITION. RETURN PLUNGER TO FREE POSITION AND REASSEMBLE ROLLER
 - $\triangle 6$ HARDWARE MAY BE PACKAGED UNASSEMBLED PER MIL-S-8805
 - $\triangle 7$ BIFURCATED GOLD CONTACT BASIC SWITCHES
 - $\triangle 8$ THIS DIMENSION EXCLUDES THE POTTING MATERIAL ON THE BOTTOM OF THE SWITCH

THIS DRAWING COVERS A PROPRIETARY ITEM AND IS THE PROPERTY OF MICRO SWITCH, A DIVISION OF HONEYWELL. THIS DRAWING IS NOT TO BE COPIED OR USED WITHOUT THE APPROVAL OF MICRO SWITCH

THIRD ANGLE PROJECTION

CHARACTERISTICS	
OPERATING FORCE	6 - 12 LB
FULL OVERTRAVEL FORCE	30 LB MAX
RELEASE FORCE	4 LB MIN
PRETRAVEL	.040 MAX
DIFFERENTIAL TRAVEL	.020 MAX
OVERTRAVEL	.125 MIN

ELECTRICAL DATA		
CONTACT ARRANGEMENT		
2X SPDT $\triangle 7$		
28 VDC		
LOAD	SEA LEVEL	50,000 FT.
RES	1	1
IND	0.5	0.5

SCALE FULL	
DO NOT SCALE PRINT	
ONE PLACE (.0)	± .030
TWO PLACE (.00)	± .015
THREE PLACE (.000)	± .005
ANGLES	±
WEIGHT	

ANSI Y14.5M-1982 APPLIES