

SPECIFICATIONS

Material: APM RUBRGLAS™ (transparent silicone rubber), polymer type, ASTM D1418.

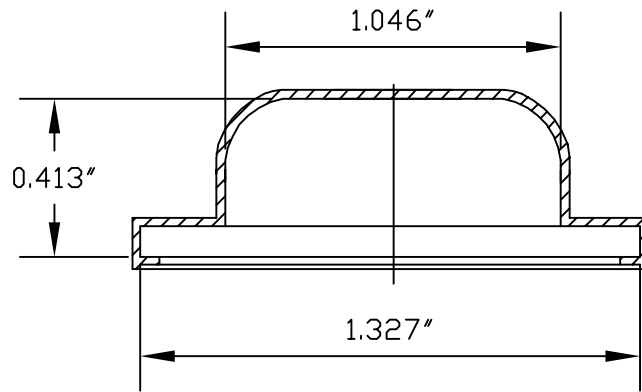
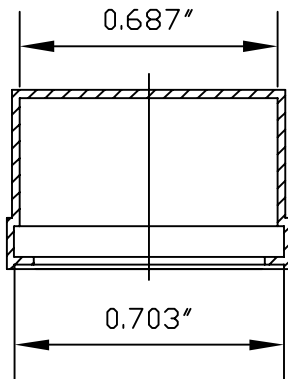
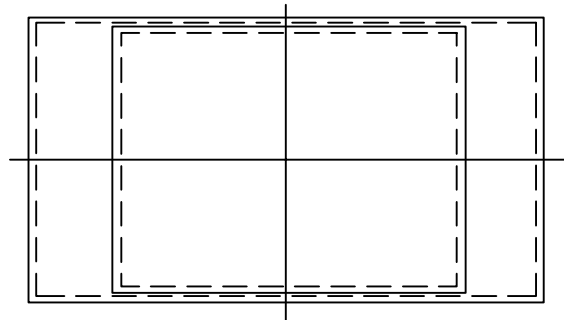
Temperature Range: -80°F to +400°F

Operational Life: 50,000 actuations (minimum).

Shelf Life: Excess of 25 years.

Resistant to: Salt spray, sunlight, ozone, weather, fungus, and most acids and lubricating oils

Agency Recognition: Rock-R-Seals™ are UL-listed to UL Std. 50, types 1,2, 4R, 5, 12, 12k, 13 and meet CSA standard



REV.	DESCRIPTION	DATE																												
B	CHANGED DWG # FROM C1113/71 to 1113/71, REVISED TITLE FOR ACCURACY	07.22.08																												
A	CAD COMPUTER GENERATED	10.23.02																												
<table border="1"> <tr> <td rowspan="3"> MAXIMUM AND MINIMUM MEASUREMENTS ARE STATED DIRECTLY ON EACH DIMENSION. MAT'L: RUBRGLAS® FINISH: TRANSPARENT </td> <td>TITLE:</td> <td>ROCKER BOOT FOR CIRCUITBREAKER</td> <td>ENG.</td> <td>S. GOK</td> <td>07.22.08</td> </tr> <tr> <td></td> <td></td> <td>DWN.</td> <td>M.M.</td> <td>02.21.86</td> </tr> <tr> <td></td> <td></td> <td>CHKD.</td> <td>J. CELLA</td> <td>07.22.08</td> </tr> <tr> <td></td> <td>APM-HEXSEAL CORPORATION</td> <td>SCALE</td> <td>DWG. NO.</td> <td colspan="2">1113/71</td> </tr> <tr> <td></td> <td></td> <td>2:1</td> <td></td> <td colspan="2"></td> </tr> </table>		MAXIMUM AND MINIMUM MEASUREMENTS ARE STATED DIRECTLY ON EACH DIMENSION. MAT'L: RUBRGLAS® FINISH: TRANSPARENT	TITLE:	ROCKER BOOT FOR CIRCUITBREAKER	ENG.	S. GOK	07.22.08			DWN.	M.M.	02.21.86			CHKD.	J. CELLA	07.22.08		APM-HEXSEAL CORPORATION	SCALE	DWG. NO.	1113/71				2:1				
MAXIMUM AND MINIMUM MEASUREMENTS ARE STATED DIRECTLY ON EACH DIMENSION. MAT'L: RUBRGLAS® FINISH: TRANSPARENT	TITLE:		ROCKER BOOT FOR CIRCUITBREAKER	ENG.	S. GOK	07.22.08																								
				DWN.	M.M.	02.21.86																								
			CHKD.	J. CELLA	07.22.08																									
	APM-HEXSEAL CORPORATION	SCALE	DWG. NO.	1113/71																										
		2:1																												

THIS DRAWING COVERS PROPRIETARY ITEM AND IS THE PROPERTY OF THE APM-HEXSEAL CORPORATION. THIS DRAWING IS NOT TO BE COPIED OR USED WITHOUT THE WRITTEN APPROVAL OF AN OFFICER OF THE APM-HEXSEAL CORPORATION.