

SPECIFICATIONS

Material: APM RUBRGLAS™ (transparent silicone rubber), polymer type, ASTM D1418.

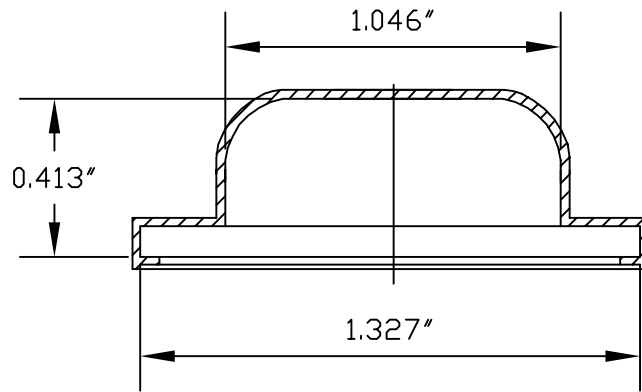
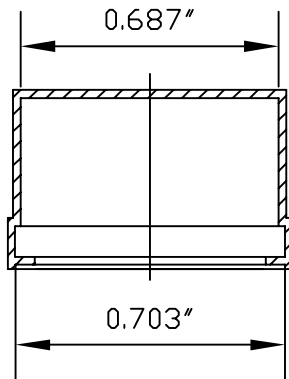
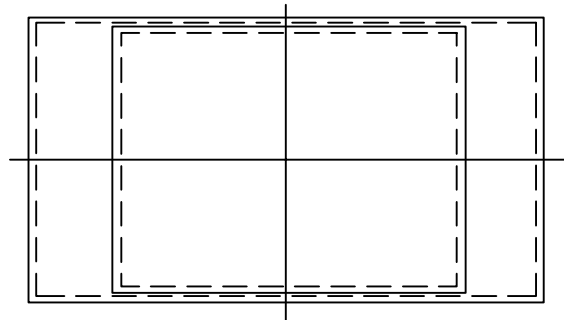
Temperature Range: -80°F to +400°F

Operational Life: 50,000 actuations (minimum).

Shelf Life: Excess of 25 years.

Resistant to: Salt spray, sunlight, ozone, weather, fungus, and most acids and lubricating oils

Agency Recognition: Rock-R-Seals™ are UL-listed to UL Std. 50, types 1,2, 4R, 5, 12, 12k, 13 and meet CSA standard



	CHANGED DWG # FROM C1113/71 to 1113/71, REVISED TITLE FOR ACCURACY			07.22.08	
	CAD COMPUTER GENERATED			10.23.02	
REV.	DESCRIPTION			DATE	
MAXIMUM AND MINIMUM MEASUREMENTS ARE STATED DIRECTLY ON EACH DIMENSION.	TITLE:	ROCKER BOOT FOR CIRCUITBREAKER	ENG.	S. GOK	07.22.08
			DWN.	M.M.	02.21.86
			CHKD.	J. CELLA	07.22.08
MAT'L: RUBRGLAS®	APM-HEXSEAL CORPORATION	SCALE	DWG. NO.	1113/71	
FINISH: TRANSPARENT		2:1			

THIS DRAWING COVERS PROPRIETARY ITEM AND IS THE PROPERTY OF THE APM-HEXSEAL CORPORATION. THIS DRAWING IS NOT TO BE COPIED OR USED WITHOUT THE WRITTEN APPROVAL OF AN OFFICER OF THE APM-HEXSEAL CORPORATION.