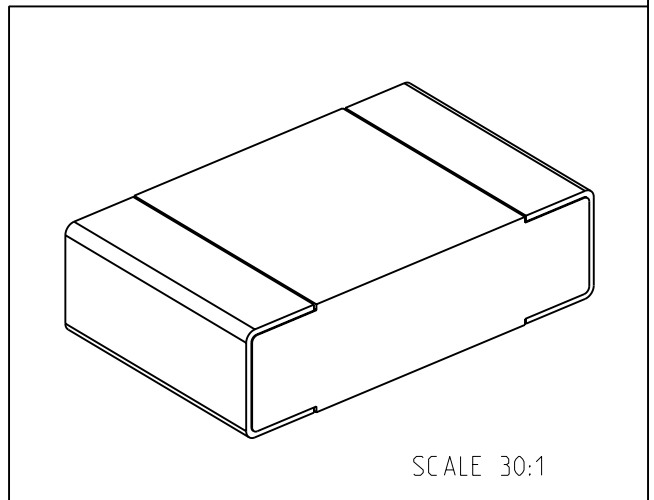
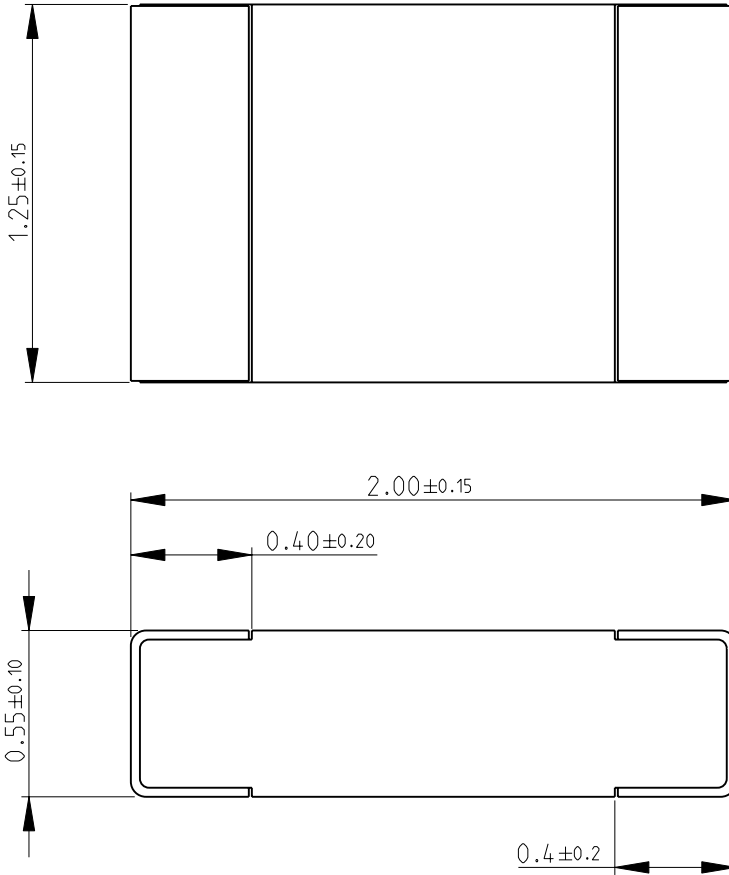


LOC	DIST	REVISIONS					
E	B	P	LTR	DESCRIPTION	DATE	DWN	APVD
			BA	NEW RELEASE	10-NOV-08	SM	St.P

FOR FURTHER INFORMATION SEE DATA SHEET FOR  
 CRG SERIES-THICK FILM CHIP RESISTORS



SCALE 30:1

RoHS Compliant

2008

RELEASED FOR PUBLICATION

THIS DRAWING IS UNPUBLISHED.

BY TYCO ELECTRONICS CORPORATION. ALL RIGHTS RESERVED.

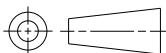


DIMENSIONS:

mm

TOLERANCES UNLESS OTHERWISE SPECIFIED:

- 0 PLC ±0.5
- 1 PLC ±0.2
- 2 PLC ±0.1
- 3 PLC ± -
- 4 PLC ± -
- ANGLES ±5°



DWN	SUBHASH.M	10-NOV-08
CHK	PRAKASH.S	10-NOV-08
APVD	STEPHEN.P	10-NOV-08
PRODUCT SPEC	-	
APPLICATION SPEC	-	
WEIGHT	-	

MATERIAL	-	FINISH	-
Tyco Electronics Corporation Dorcan, Swindon, SN3 5HH			
NAME THICK FILM CHIP RESISTORS SERIES CRG 0805			
SIZE	CAGE CODE	DRAWING NO	RESTRICTED TO
A 4	00779	© = 1623096	-

CUSTOMER DRAWING

SCALE 40:1

SHEET 1 OF 1

REV BA