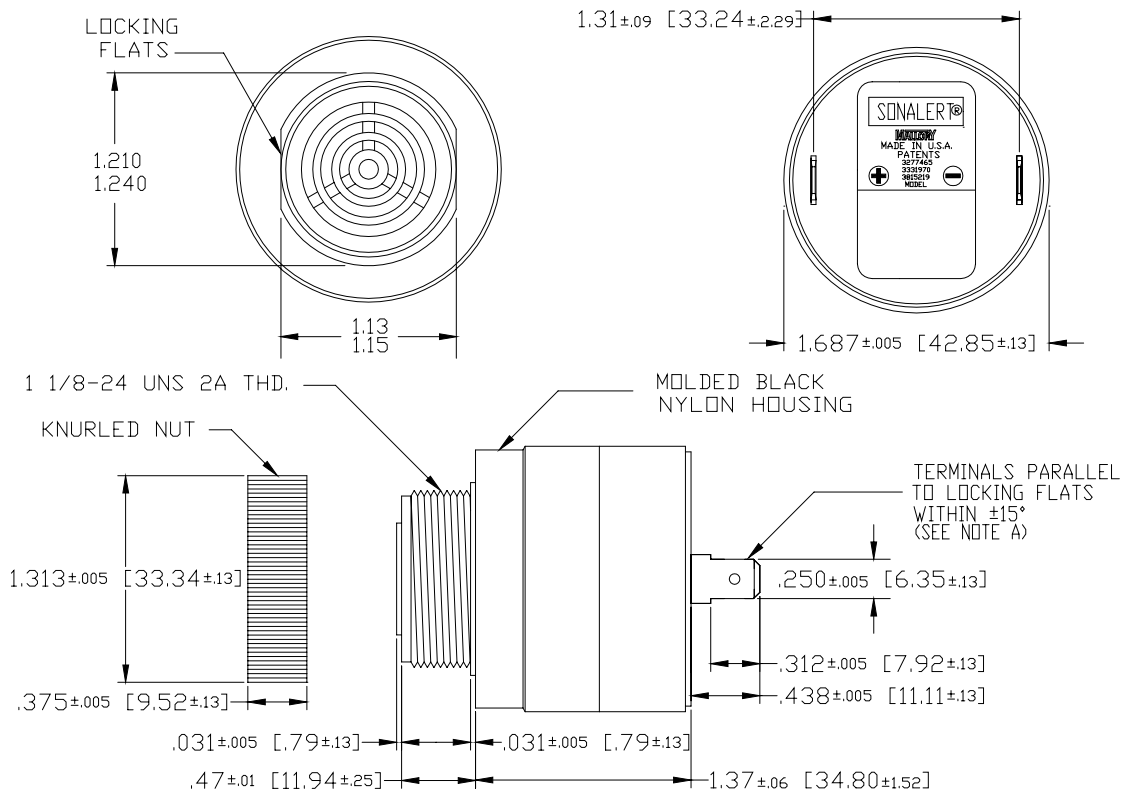


Not for Use in New Designs- Use SC2036CPR

**Spec**

|                         |                                   |
|-------------------------|-----------------------------------|
| Sound level Category    | Medium Sound Level                |
| Mode of Operation       | Single Pulse, Chime               |
| Mounting                | Panel (see note B)                |
| Voltage Rating          | 20 to 36 Vdc                      |
| Frequency               | 1000 Hz ±100 Hz                   |
| Loudness (Min. Voltage) | 68 dB(A) @ 2 FT and 20 Vdc        |
| Loudness (Max Voltage)  | 74 dB(A) @ 2FT and 36 Vdc         |
| Current Draw            | 12 mA Max @ 20 Vdc                |
| Current Draw            | 25 mA Max @ 36 Vdc                |
| Storage Temperature     | -40°C to +85°C                    |
| Operating Temperature   | -30°C to +65°C                    |
| Weight (Typical)        | 1.8 oz (51 g)                     |
| Housing                 | 6/6 Nylon, Color Black            |
| Options                 | For other options contact factory |

**Dimensions:** Inches (mm)



NOTE A: TERMINALS-.032 BRASS, TIN PLATED WITH .070 DIA. WIRE HOLE. WILL ACCEPT 1/4" QUICK CONNECT.

NOTE B: MOUNTING- REMOVE BLACK PLASTIC NUT AND INSERT THREADED FRONT THROUGH 1.25" HOLE PUNCHED IN PANEL, IF ORIENTATION IS NEEDED, NOTE LOCKING FLATS ON DRAWING. SCREW NUT BACK ON. DO NOT OVERTIGHTEN.