



■ Features :

- 115VAC or 230VAC models available
- Built-in active PFC function
- Constant current design
- Protections: Short circuit / Over temperature
- Cooling by free air convection
- Fully isolated plastic case
- Class 2 Power Unit
- Class II power unit, no FG
- IP42 design
- Suitable for LED related fixture or appliance (such as LED Decoration or Advertisement devices)
- 100% full load burn-in test
- Low cost
- High reliability
- 3 years warranty



PLD-16-350 [A] A : With AC input 90~ 135VAC.
 B : With AC input 180~ 295VAC.

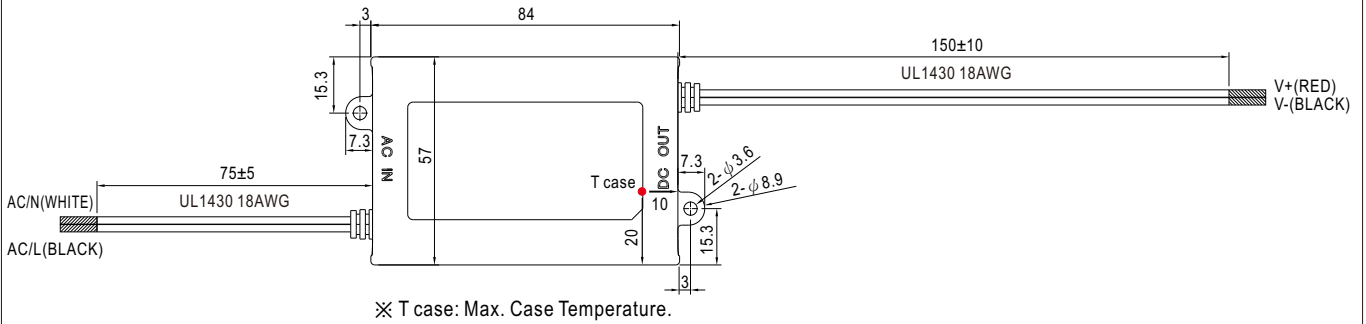
SPECIFICATION

| MODEL | PLD-16-350 □ | PLD-16-700 □ | PLD-16-1050 □ | PLD-16-1400 □ | | |
|---|---|--|---|---------------|---------|-------|
| OUTPUT | RATED CURRENT | 350mA | 700mA | 1050mA | 1400mA | |
| | OPERATING VOLTAGE RANGE | 24 ~ 48V | 16 ~ 24V | 12 ~ 16V | 8 ~ 12V | |
| | CURRENT ACCURACY | ±5.0% | | | | |
| | RATED POWER | 16.8W | 16.8W | 16.8W | 16.8W | |
| | RIPPLE & NOISE (max.) Note.1 | 4.6Vp-p | 2.7Vp-p | 2.2Vp-p | 2Vp-p | |
| | NO LOAD OUTPUT VOLTAGE (max.) | 60V | 35V | 25V | 16V | |
| | SETUP TIME | 500ms / 230VAC 2000ms / 115VAC at full load | | | | |
| INPUT | FREQUENCY RANGE | 47 ~ 63Hz | | | | |
| | POWER FACTOR (Typ.) | PF>0.9/115VAC, PF>0.9/230VAC, PF>0.9/277VAC at full load (Please refer to "Power Factor Characteristic" curve) | | | | |
| | TOTAL HARMONIC DISTORTION | A series | THD< 20% when output loading≥70% at 115VAC | | | |
| | | B series | THD< 20% when output loading≥70% at 230VAC input and output loading≥80% at 277VAC input | | | |
| | EFFICIENCY (Typ.) | A series | 84.5% | 84.5% | 84% | 82.5% |
| | | B series | 85.5% | 86% | 85% | 83.5% |
| | AC CURRENT (Typ.) | 0.4A/115VAC 0.2A/230VAC 0.15A/277VAC | | | | |
| | INRUSH CURRENT(Typ.) | COLD START 20A(twidth=25μs measured at 50% Ipeak) at 230VAC | | | | |
| MAX. No. of PSUs on 16A CIRCUIT BREAKER | A series | 58 units (circuit breaker of type B) / 58 units (circuit breaker of type C) at 115VAC | | | | |
| | B series | 128 units (circuit breaker of type B) / 128 units (circuit breaker of type C) at 230VAC | | | | |
| LEAKAGE CURRENT | <0.5mA / 240VAC | | | | | |
| PROTECTION | SHORT CIRCUIT | Hiccup mode, recovers automatically after fault condition is removed. | | | | |
| | OVER TEMPERATURE | Shut down o/p voltage, re-power on to recover | | | | |
| ENVIRONMENT | WORKING TEMP. | -30 ~ +50°C (Refer to "Derating Curve") | | | | |
| | WORKING HUMIDITY | 20 ~ 95% RH non-condensing | | | | |
| | STORAGE TEMP., HUMIDITY | -40 ~ +80°C, 10 ~ 95% RH | | | | |
| | TEMP. COEFFICIENT | ±0.03%/°C (0 ~ 50°C) | | | | |
| | VIBRATION | 10 ~ 500Hz, 2G 12min./1cycle, period for 72min. each along X, Y, Z axes | | | | |
| SAFETY & EMC | SAFETY STANDARDS | UL8750, CSA C22.2 No.250.0-08;ENEC EN 613471-1,EN 61347-2-13 independent, EN62384(for B type only), EAC TP TC 004, IP42 approved | | | | |
| | WITHSTAND VOLTAGE | I/P-O/P:3.75KVAC | | | | |
| | ISOLATION RESISTANCE | I/P-O/P:100M Ohms / 500VDC / 25°C/ 70% RH | | | | |
| | EMC EMISSION | Compliance to EN55015 (B type only), EN61000-3-2 Class C ; EN61000-3-3, FCC part 18 non-consumer equipment(A type only), EAC TP TC 020 | | | | |
| | EMC IMMUNITY | Compliance to EN61000-4-2,3,4,5,6,8,11, EN61547, light industry level, criteria A, EAC TP TC 020 | | | | |
| OTHERS | MTBF | 906.5Khrs min. MIL-HDBK-217F (25°C) | | | | |
| | DIMENSION | 84*57*29.5mm (L*W*H) | | | | |
| | PACKING | 0.19Kg; 72pcs/14.7Kg/0.92CUFT | | | | |
| NOTE | 1. Ripple & noise are measured at 20MHz of bandwidth by using a 12" twisted pair-wire terminated with a 0.1uf & 47uf parallel capacitor. 2. Direct connecting to LEDs is suggested, but is not suitable for using additional drivers. 3. To fulfill requirements of the latest ErP regulation for lighting fixtures, this LED power supply can only be used behind a switch without permanently connected to the mains. 4. The ambient temperature derating of 3.5°C/1000m with fanless models and of 5°C/1000m with fan models for operating altitude higher than 2000m(6500ft). 5. For any application note and IP water proof function installation caution, please refer our user manual before using. https://www.meanwell.com/Upload/PDF/LED_LED.pdf | | | | | |

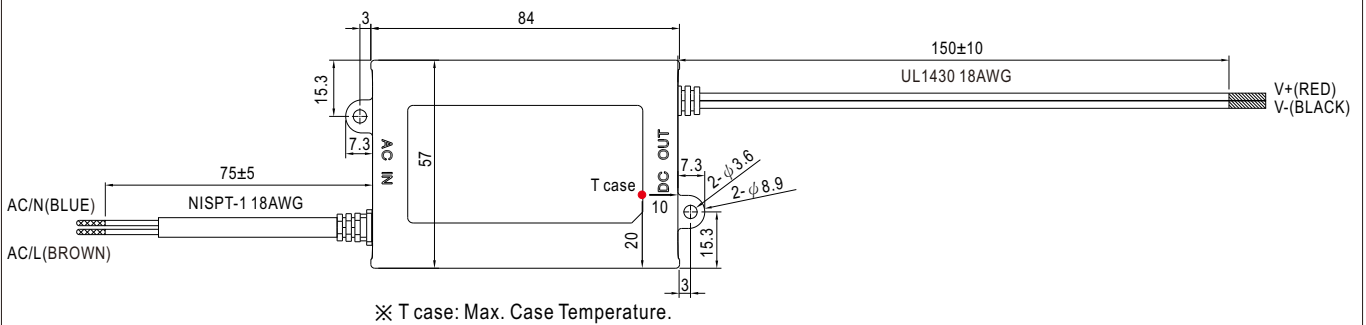
Mechanical Specification

Case No. PCD16A Unit: mm

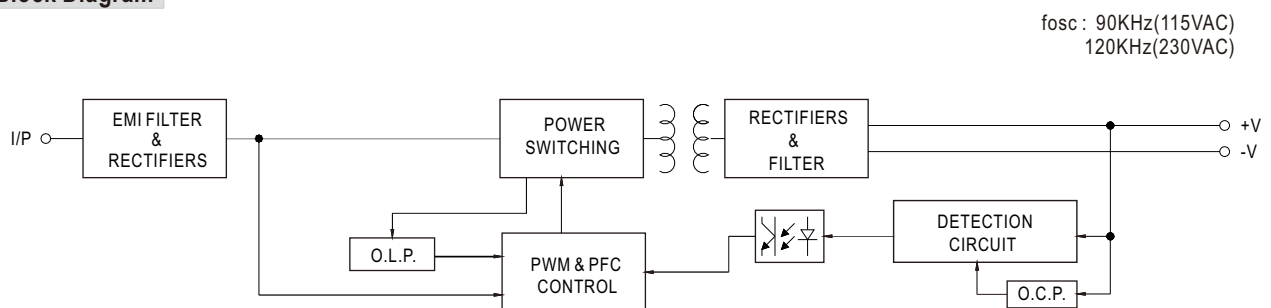
A Type: (PLD-16_A)



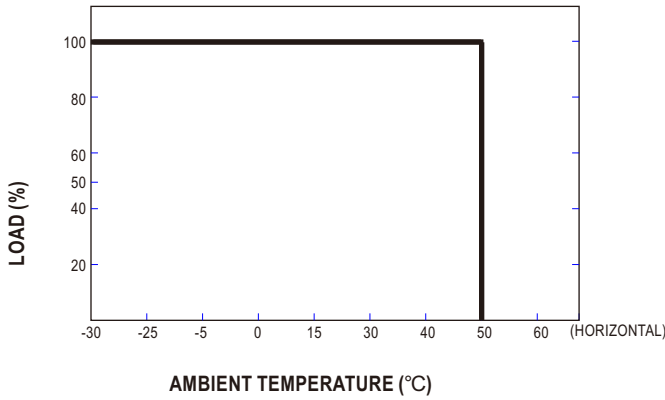
B Type: (PLD-16_B)



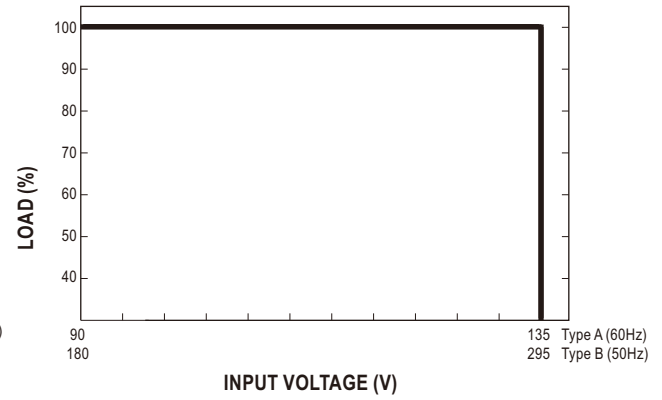
Block Diagram



■ Derating Curve

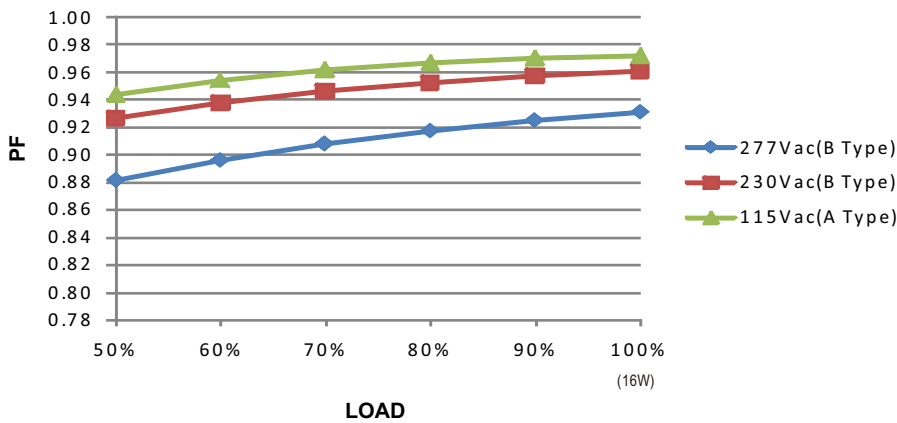


■ Static Characteristics



■ Power Factor Characteristic

Constant Current Mode



■ EFFICIENCY vs LOAD (PLD-16-350)

PLD-16 series possess superior working efficiency that up to 85.5% can be reached in field applications.

